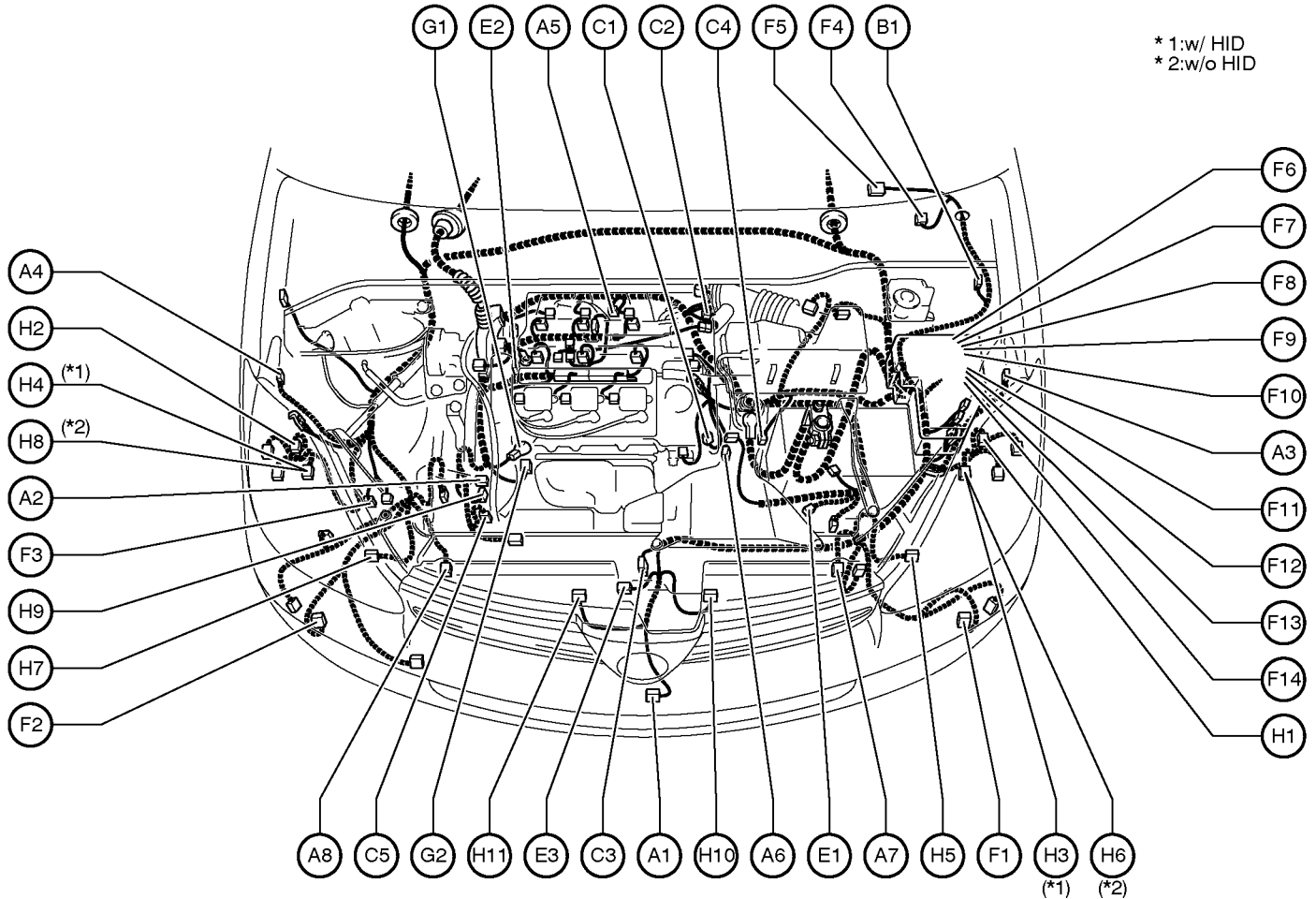


G ELECTRICAL WIRING ROUTING

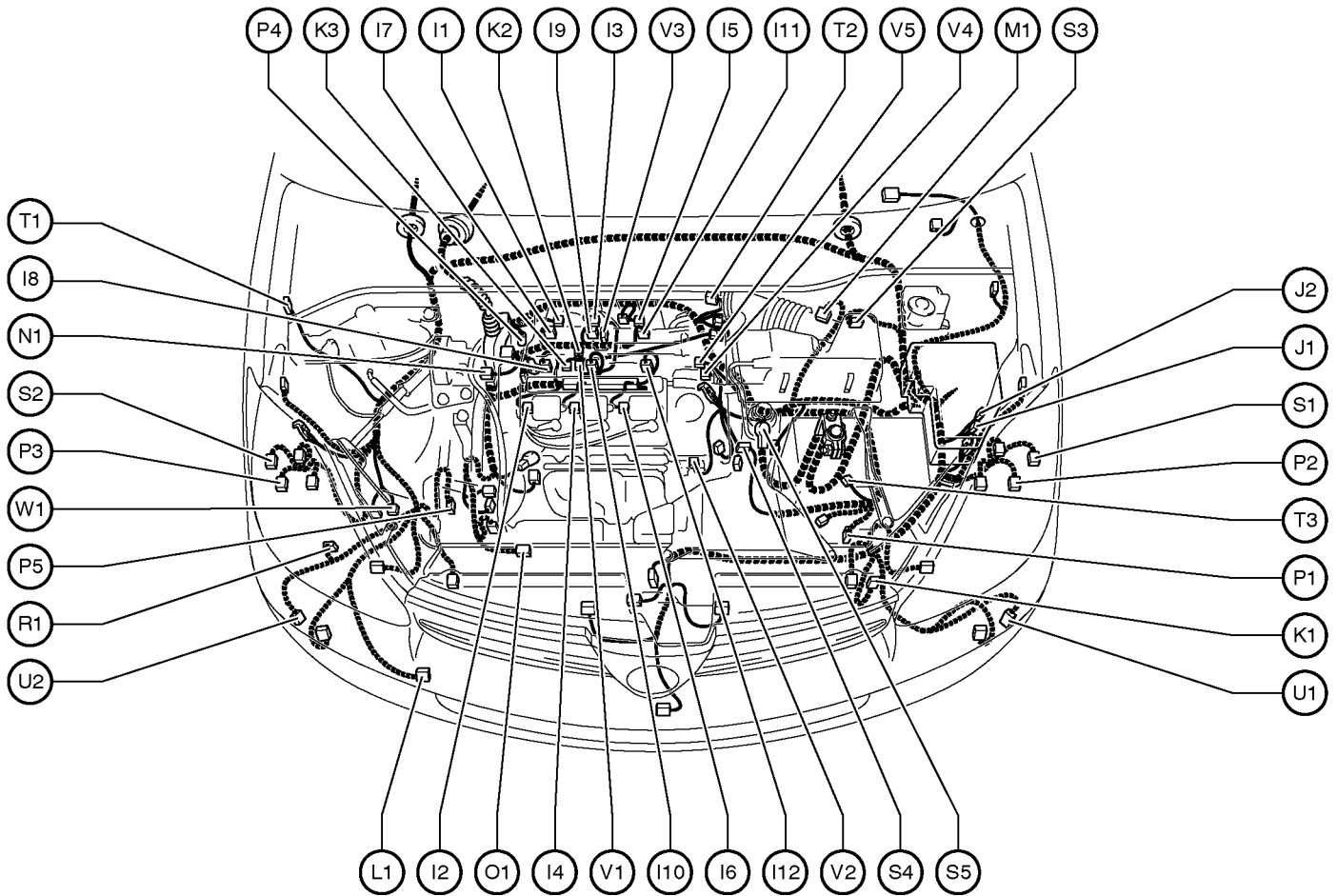
Position of Parts in Engine Compartment



* 1:w/ HID
* 2:w/o HID

- | | |
|---|--|
| A 1 A/C Ambient Temp. Sensor | F 5 Front Wiper Motor |
| A 2 A/C Magnetic Clutch | F 6 Fusible Link Block |
| A 3 ABS Speed Sensor Front LH | F 7 Fusible Link Block |
| A 4 ABS Speed Sensor Front RH | F 8 Fusible Link Block |
| A 5 Air Fuel Ratio Sensor (Bank 1 Sensor 1) | F 9 Fusible Link Block |
| A 6 Air Fuel Ratio Sensor (Bank 2 Sensor 1) | F 10 Fusible Link Block |
| A 7 Airbag Sensor Front LH | F 11 Fusible Link Block |
| A 8 Airbag Sensor Front RH | F 12 Fusible Link Block |
| | F 13 Fusible Link Block |
| | F 14 Fusible Link Block |
| B 1 Brake Fluid Level Warning SW | |
| | G 1 Generator |
| | G 2 Generator |
| C 1 Camshaft Timing Oil Control Valve LH | H 1 Headlight Beam Level Control Actuator LH |
| C 2 Camshaft Timing Oil Control Valve RH | H 2 Headlight Beam Level Control Actuator RH |
| C 3 Cooling Fan ECU | H 3 Headlight Control ECU LH |
| C 4 Counter Gear Speed Sensor | H 4 Headlight Control ECU RH |
| C 5 Crankshaft Position Sensor | H 5 Headlight LH (High) |
| | H 6 Headlight LH (Low) |
| E 1 Electronically Controlled Transmission Solenoid | H 7 Headlight RH (High) |
| E 2 Engine Coolant Temp. Sensor | H 8 Headlight RH (Low) |
| E 3 Engine Hood Courtesy SW | H 9 Heated Oxygen Sensor (Bank 2 Sensor 2) |
| | H 10 Horn (High) |
| F 1 Front Fog Light LH | H 11 Horn (Low) |
| F 2 Front Fog Light RH | |
| F 3 Front Washer Motor | |
| F 4 Front Window Deicer | |

Position of Parts in Engine Compartment



I 1 Ignition Coil and Igniter No.1
 I 2 Ignition Coil and Igniter No.2
 I 3 Ignition Coil and Igniter No.3
 I 4 Ignition Coil and Igniter No.4
 I 5 Ignition Coil and Igniter No.5
 I 6 Ignition Coil and Igniter No.6
 I 7 Injector No.1
 I 8 Injector No.2
 I 9 Injector No.3
 I 10 Injector No.4
 I 11 Injector No.5
 I 12 Injector No.6

J 1 Junction Connector
 J 2 Junction Connector

K 1 Keyless Buzzer
 K 2 Knock Sensor (Bank 1)
 K 3 Knock Sensor (Bank 2)

L 1 Laser Sensor

M 1 Mass Air Flow Meter

N 1 Noise Filter

O 1 Oil Pressure SW

P 1 Park/Neutral Position SW
 P 2 Parking Light LH
 Turn Signal Light LH
 P 3 Parking Light RH
 Turn Signal Light RH
 P 4 Power Steering Oil Pressure SW
 P 5 Pressure SW

R 1 Rear Washer Motor

S 1 Side Marker Light LH
 S 2 Side Marker Light RH
 S 3 Skid Control ECU with Actuator
 S 4 Starter
 S 5 Starter

T 1 Theft Deterrent Horn
 T 2 Throttle Control Motor
 Throttle Position Sensor
 T 3 Turbine Speed Sensor

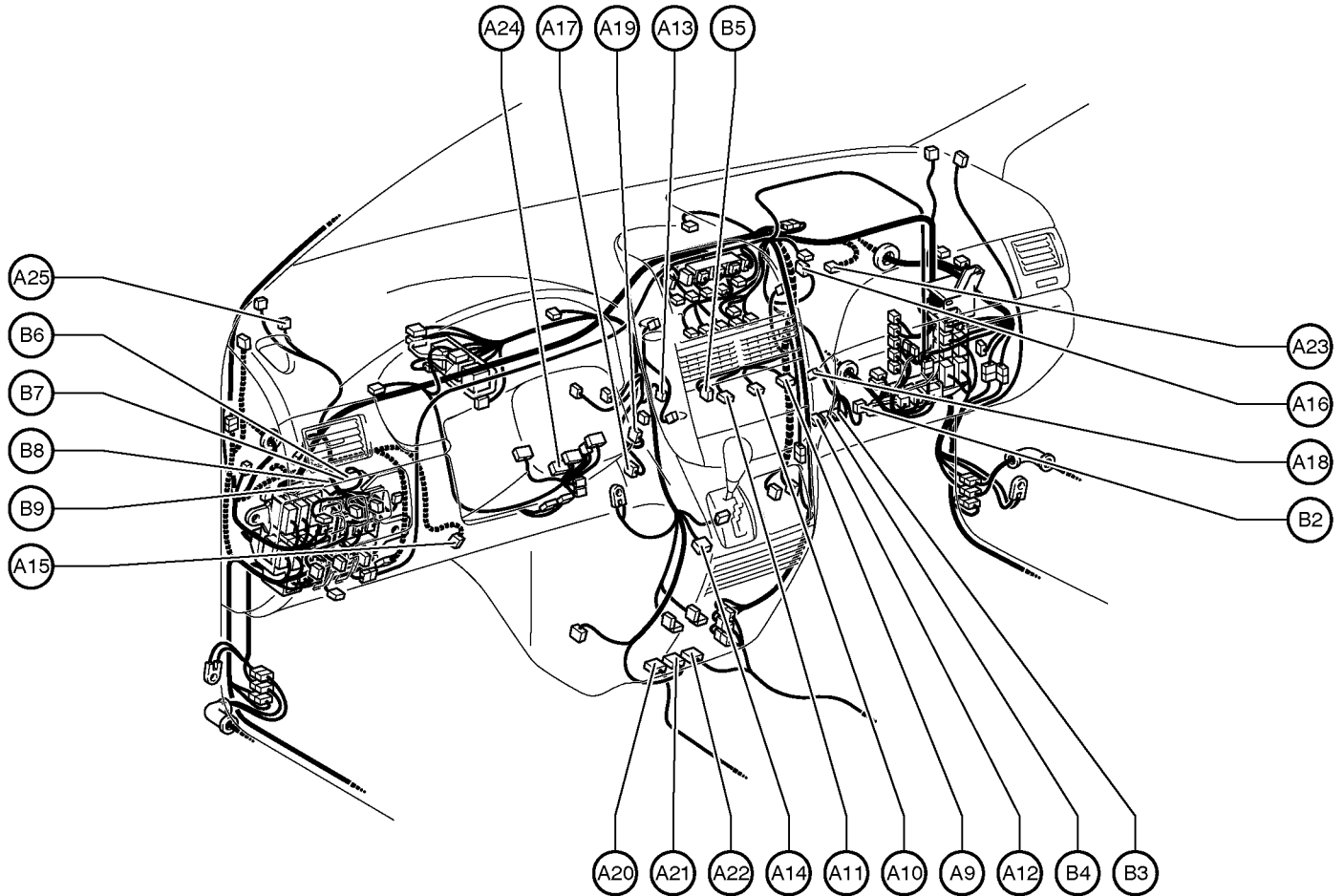
U 1 Ultrasonic Sensor (Front Left)
 U 2 Ultrasonic Sensor (Front Right)

V 1 VSV (ACIS)
 V 2 VSV (AICV)
 V 3 VSV (EVAP)
 V 4 VVT Solenoid LH
 V 5 VVT Solenoid RH

W 1 Washer Level Sensor

G ELECTRICAL WIRING ROUTING

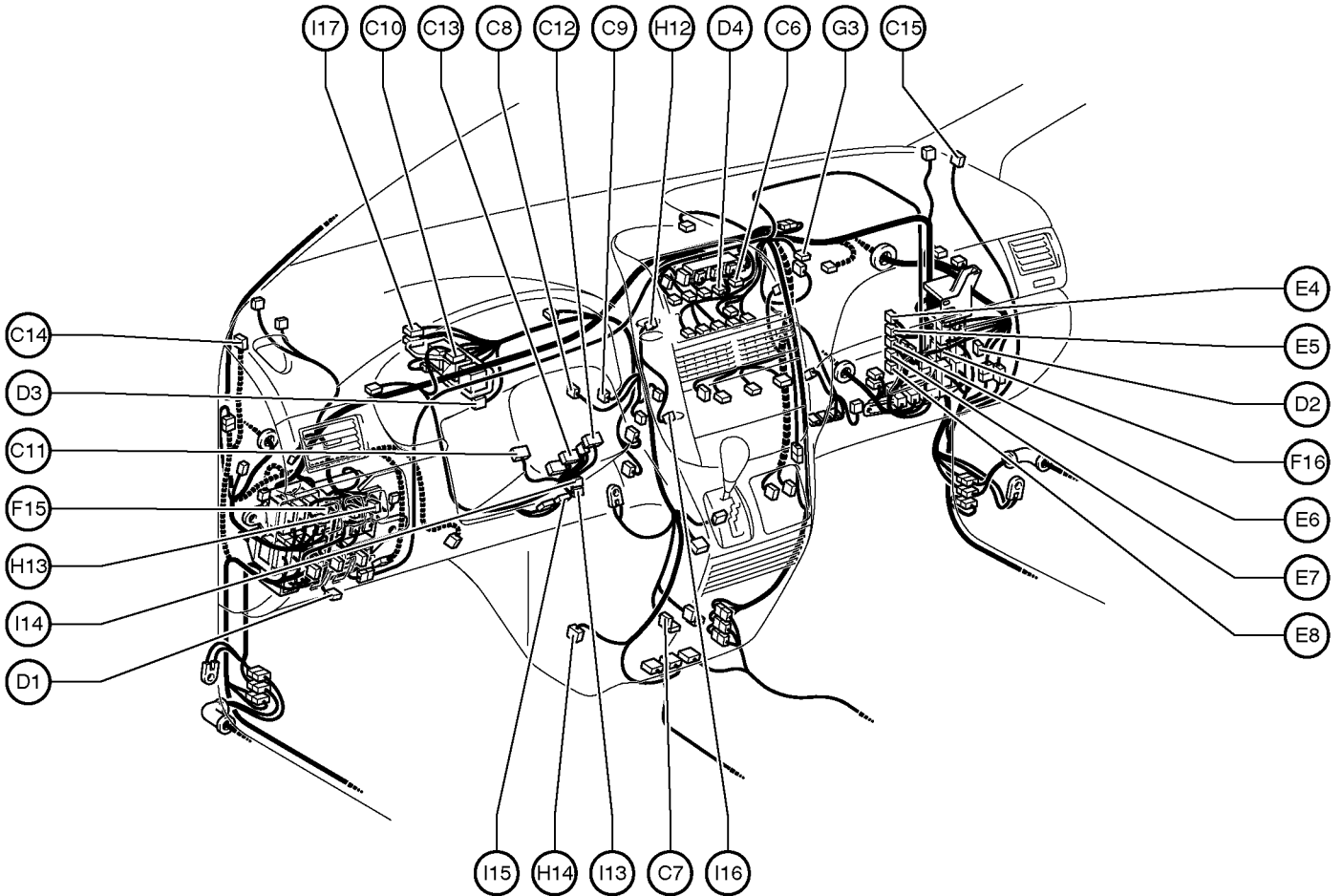
Position of Parts in Instrument Panel



- A 9 A/C Control Assembly
- A 10 A/C Control Assembly
- A 11 A/C Control Assembly
- A 12 A/C Evaporator Temp. Sensor (Front)
- A 13 A/C Room Temp. Sensor
- A 14 A/T Shift Lever Illumination
- A 15 Accel Position Sensor
- A 16 Air Inlet Control Servo Motor
- A 17 Air Mix Control Servo Motor (Driver Side)
- A 18 Air Mix Control Servo Motor (Front Passenger Side)
- A 19 Air Vent Mode Control Servo Motor (Front)
- A 20 Airbag Sensor Assembly
- A 21 Airbag Sensor Assembly
- A 22 Airbag Sensor Assembly
- A 23 Airbag Squib (Front Passenger Airbag Assembly)
- A 24 Airbag Squib (Steering Wheel Pad)
- A 25 Automatic Light Control Sensor

- B 2 Blower Motor (Front)
- B 3 Blower Motor Controller (Front)
- B 4 Blower Resistor
- B 5 Blower SW
- B 6 Body ECU
- B 7 Body ECU
- B 8 Body ECU
- B 9 Body ECU

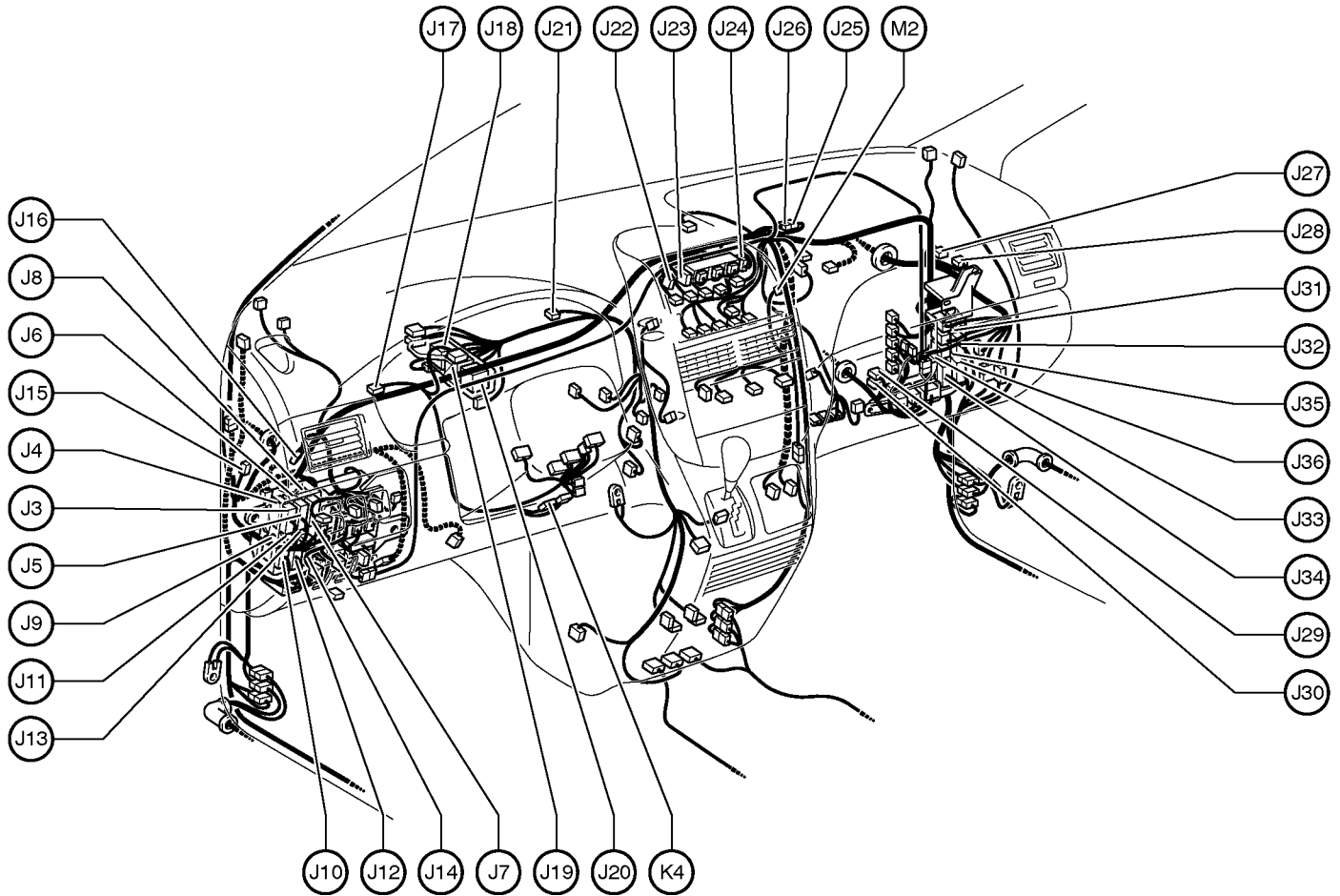
Position of Parts in Instrument Panel



- | | |
|--|---|
| C 6 Center Speaker | F 15 Front Window Deicer Relay |
| C 7 Cigarette Lighter | F 16 Fuse Box |
| C 8 Clearance Sonar Buzzer | G 3 Glass Antenna Amplifier |
| C 9 Clearance Sonar ECU | H 12 Hazard SW |
| C10 Combination Meter | Rear Window Defogger SW |
| C11 Combination SW | H 13 Headlight Beam Level Control SW |
| C12 Combination SW | H 14 Heated Oxygen Sensor (Bank 1 Sensor 2) |
| C13 Combination SW | I 13 Ignition Key Cylinder Light |
| C14 Curtain Shield Airbag Squib Front LH | I 14 Ignition Key Cylinder Light |
| C15 Curtain Shield Airbag Squib Front RH | Transponder Key Amplifier |
| D 1 Data Link Connector 3 | I 15 Ignition SW |
| D 2 Distance Control ECU | I 16 Interior Light SW |
| D 3 Dome Cut Relay | I 17 Inverter Relay |
| D 4 Door Lock Control Receiver | |
| E 4 Engine Control Module | |
| E 5 Engine Control Module | |
| E 6 Engine Control Module | |
| E 7 Engine Control Module | |
| E 8 Engine Control Module | |

G ELECTRICAL WIRING ROUTING

Position of Parts in Instrument Panel



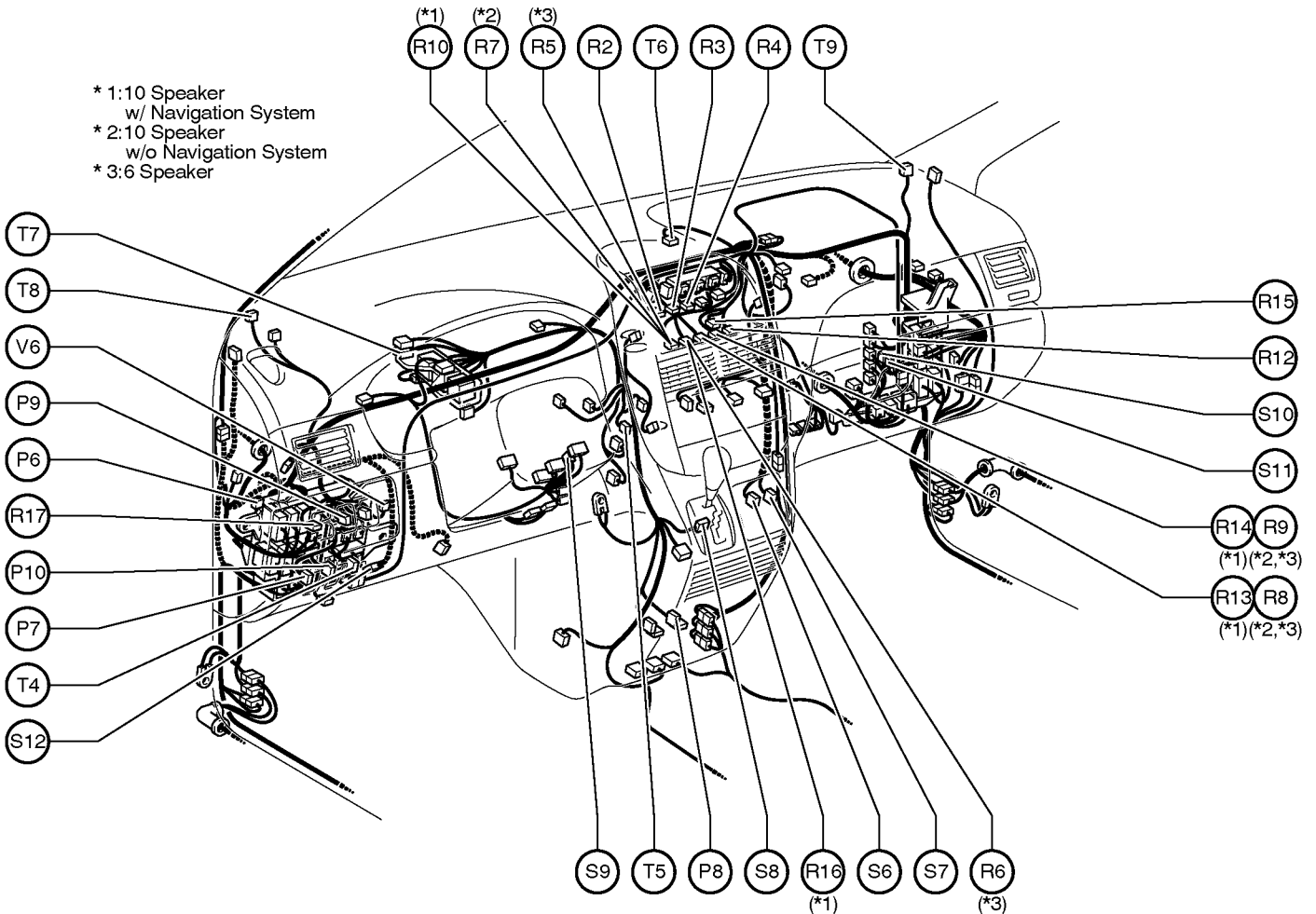
- J 3 Junction Connector
- J 4 Junction Connector
- J 5 Junction Connector
- J 6 Junction Connector
- J 7 Junction Connector
- J 8 Junction Connector
- J 9 Junction Connector
- J 10 Junction Connector
- J 11 Junction Connector
- J 12 Junction Connector
- J 13 Junction Connector
- J 14 Junction Connector
- J 15 Junction Connector
- J 16 Junction Connector
- J 17 Junction Connector
- J 18 Junction Connector
- J 19 Junction Connector
- J 20 Junction Connector
- J 21 Junction Connector
- J 22 Junction Connector

- J 23 Junction Connector
- J 24 Junction Connector
- J 25 Junction Connector
- J 26 Junction Connector
- J 27 Junction Connector
- J 28 Junction Connector
- J 29 Junction Connector
- J 30 Junction Connector
- J 31 Junction Connector
- J 32 Junction Connector
- J 33 Junction Connector
- J 34 Junction Connector
- J 35 Junction Connector
- J 36 Junction Connector

K 4 Key Interlock Solenoid
Unlock Warning SW

M 2 Main SW
Security Indicator Light

Position of Parts in Instrument Panel



- * 1:10 Speaker
w/ Navigation System
- * 2:10 Speaker
w/o Navigation System
- * 3:6 Speaker

P 6 Parking Brake SW
 P 7 Power Back Door Main SW
 P 8 Power Outlet (Front)
 P 9 Power Quarter Window SW
 P10 Power Slide Door Main SW

R 2 Radio and Player
 R 3 Radio and Player
 R 4 Radio and Player
 R 5 Radio and Player
 R 6 Radio and Player
 R 7 Radio and Player
 R 8 Radio and Player
 R 9 Radio and Player
 R10 Radio and Player with Display
 R12 Radio and Player with Display
 R13 Radio and Player with Display
 R14 Radio and Player with Display
 R15 Radio and Player with Display
 R16 Radio and Player with Display
 R17 Remote Control Mirror SW

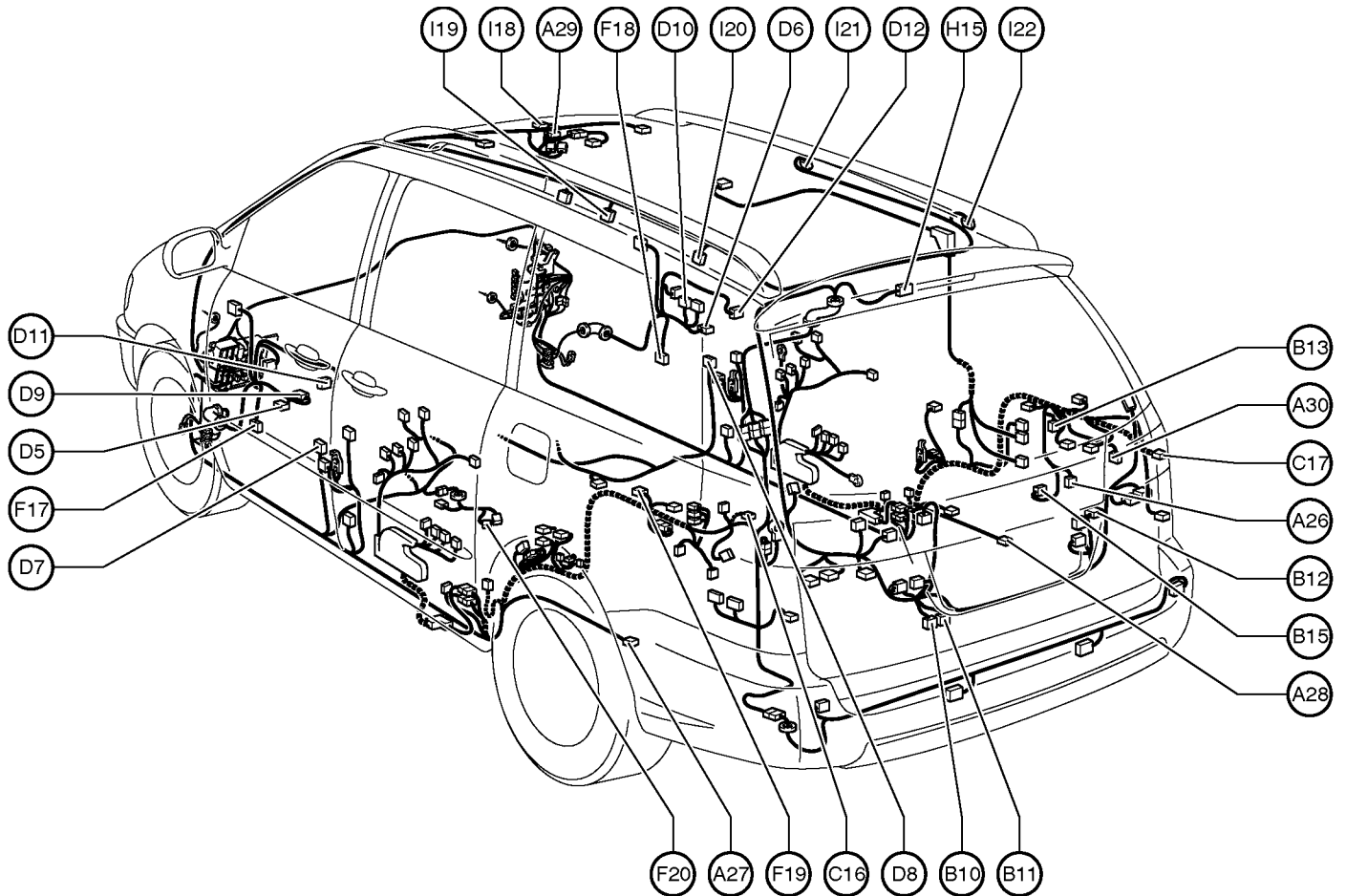
S 6 Seat Heater SW (Driver's Seat)
 S 7 Seat Heater SW (Front Passenger's Seat)
 S 8 Shift Lock Control ECU
 Transmission Control SW
 S 9 Steering Sensor
 S10 Stereo Component Amplifier
 S11 Stereo Component Amplifier
 S12 Stop Light SW

T 4 Tire Pressure Warning Standardization SW
 T 5 TRAC Off SW
 T 6 Transponder Key Computer
 T 7 Turn Signal Flasher
 T 8 Tweeter Front LH
 T 9 Tweeter Front RH

 V 6 VSC Warning Buzzer

G ELECTRICAL WIRING ROUTING

Position of Parts in Body



A26 A/C Evaporator Temp. Sensor (Rear)
 A27 ABS Speed Sensor Rear LH
 A28 ABS Speed Sensor Rear RH
 A29 Accessory Meter
 A30 Air Vent Mode Control Servo Motor (Rear)

F17 Front Door Speaker LH
 F18 Front Door Speaker RH
 F19 Fuel Lid Courtesy SW
 F20 Fuel Pump
 Fuel Sender

B10 Back Door Lock Assembly
 B11 Back Door Lock Assembly
 B12 Back Door Opener SW
 B13 Blower Motor (Rear)
 B15 Blower Motor Controller (Rear)

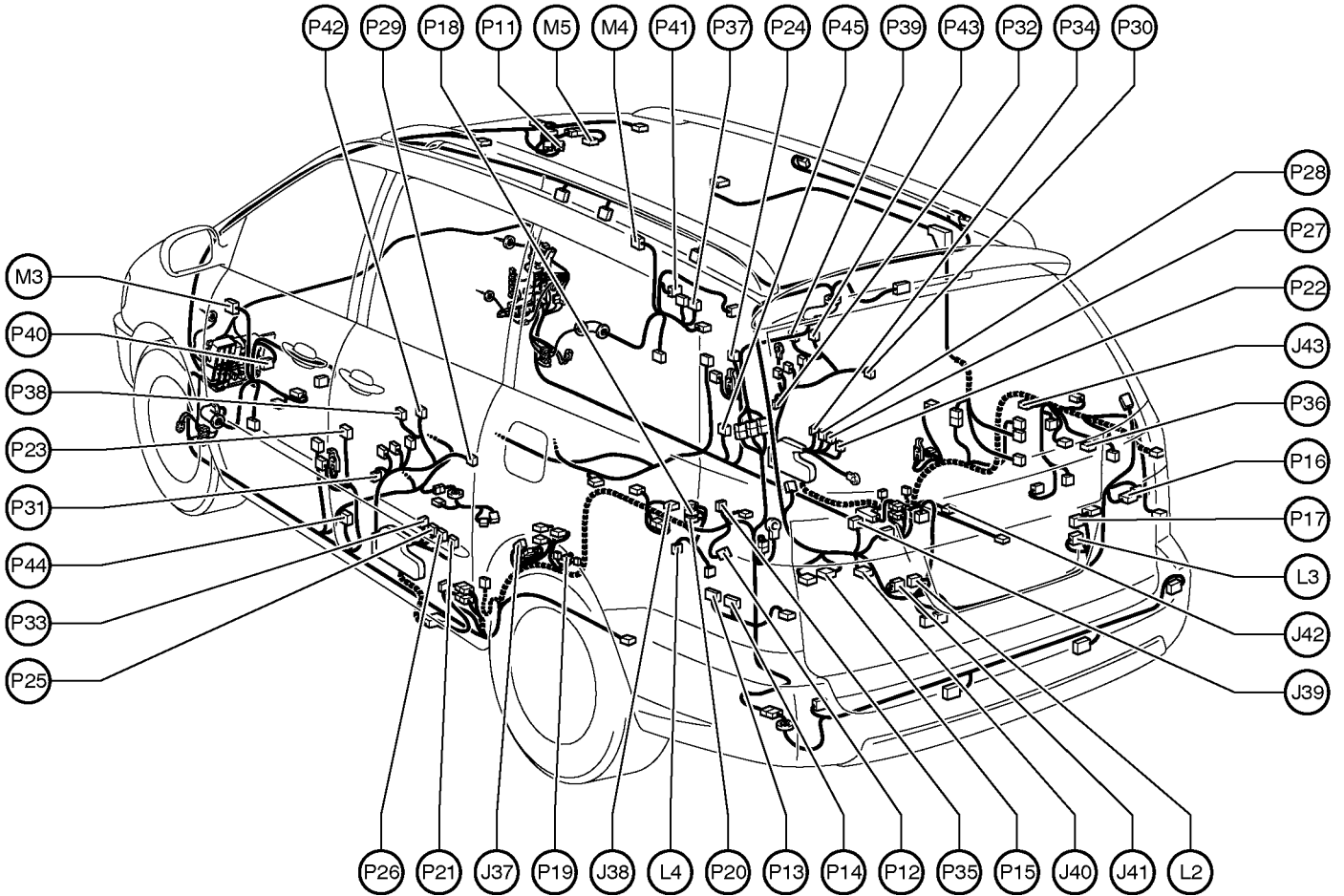
H15 High Mounted Stop Light

C16 Curtain Shield Airbag Squib Rear LH
 C17 Curtain Shield Airbag Squib Rear RH

I18 Inner Mirror
 I19 Interior Light LH No.1
 I20 Interior Light LH No.2
 I21 Interior Light RH No.1
 I22 Interior Light RH No.2

D5 Door Courtesy Light Front LH
 D6 Door Courtesy Light Front RH
 D7 Door Courtesy SW Front LH
 D8 Door Courtesy SW Front RH
 D9 Door Lock Control SW Front LH
 Power Window Master SW
 D10 Door Lock Control SW Front RH
 D11 Door Lock Motor Front LH
 Door Unlock Detection SW Front LH
 D12 Door Lock Motor Front RH
 Door Unlock Detection SW Front RH

Position of Parts in Body



J 37 Junction Connector
 J 38 Junction Connector
 J 39 Junction Connector
 J 40 Junction Connector
 J 41 Junction Connector
 J 42 Junction Connector
 J 43 Junction Connector

L 2 License Plate Light LH
 L 3 License Plate Light RH
 L 4 Luggage Compartment Light

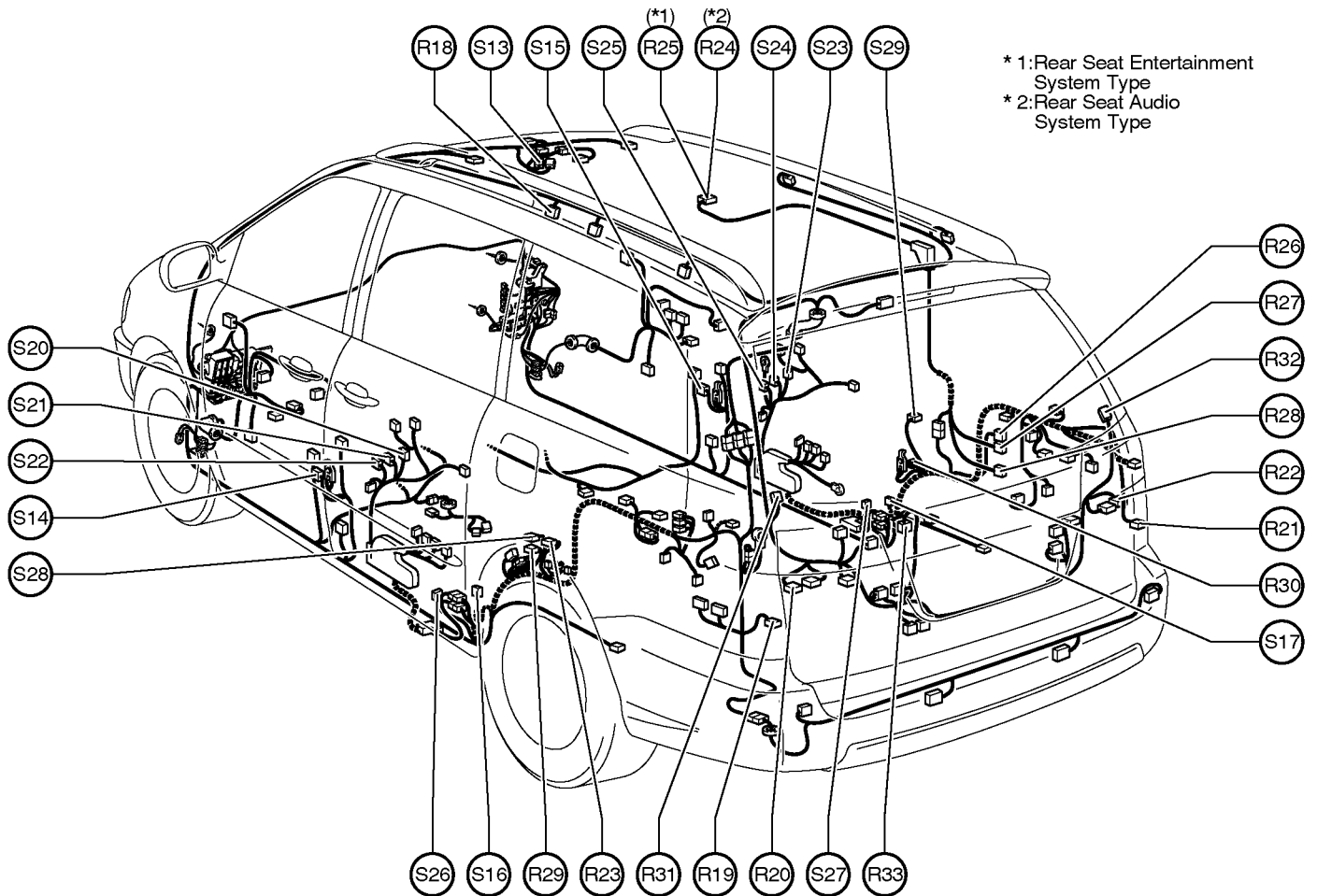
M 3 Mirror Heater LH
 Remote Control Mirror LH
 M 4 Mirror Heater RH
 Remote Control Mirror RH
 M 5 Moon Roof Control ECU

P 11 Personal Light
 P 12 Power Back Door Drive Unit
 P 13 Power Back Door ECU
 P 14 Power Back Door ECU
 P 15 Power Back Door Touch Sensor LH
 P 16 Power Back Door Touch Sensor RH
 P 17 Power Back Door Warning Buzzer
 P 18 Power Outlet (Rear)
 P 19 Power Outlet No.1 (115V)

P 20 Power Outlet No.2 (115V)
 P 21 Power Slide Door Control Motor and Clutch LH
 P 22 Power Slide Door Control Motor and Clutch RH
 P 23 Power Slide Door Control SW LH
 P 24 Power Slide Door Control SW RH
 P 25 Power Slide Door ECU LH
 P 26 Power Slide Door ECU LH
 P 27 Power Slide Door ECU RH
 P 28 Power Slide Door ECU RH
 P 29 Power Slide Door Lock Assembly LH
 P 30 Power Slide Door Lock Assembly RH
 P 31 Power Slide Door Touch Sensor LH
 P 32 Power Slide Door Touch Sensor RH
 P 33 Power Slide Door Warning Buzzer LH
 P 34 Power Slide Door Warning Buzzer RH
 P 35 Power Vent Window Motor LH
 P 36 Power Vent Window Motor RH
 P 37 Power Window Control SW Front RH
 P 38 Power Window Control SW Rear LH
 P 39 Power Window Control SW Rear RH
 P 40 Power Window Motor Front LH
 P 41 Power Window Motor Front RH
 P 42 Power Window Motor Rear LH
 P 43 Power Window Motor Rear RH
 P 44 Pretensioner LH
 P 45 Pretensioner RH

G ELECTRICAL WIRING ROUTING

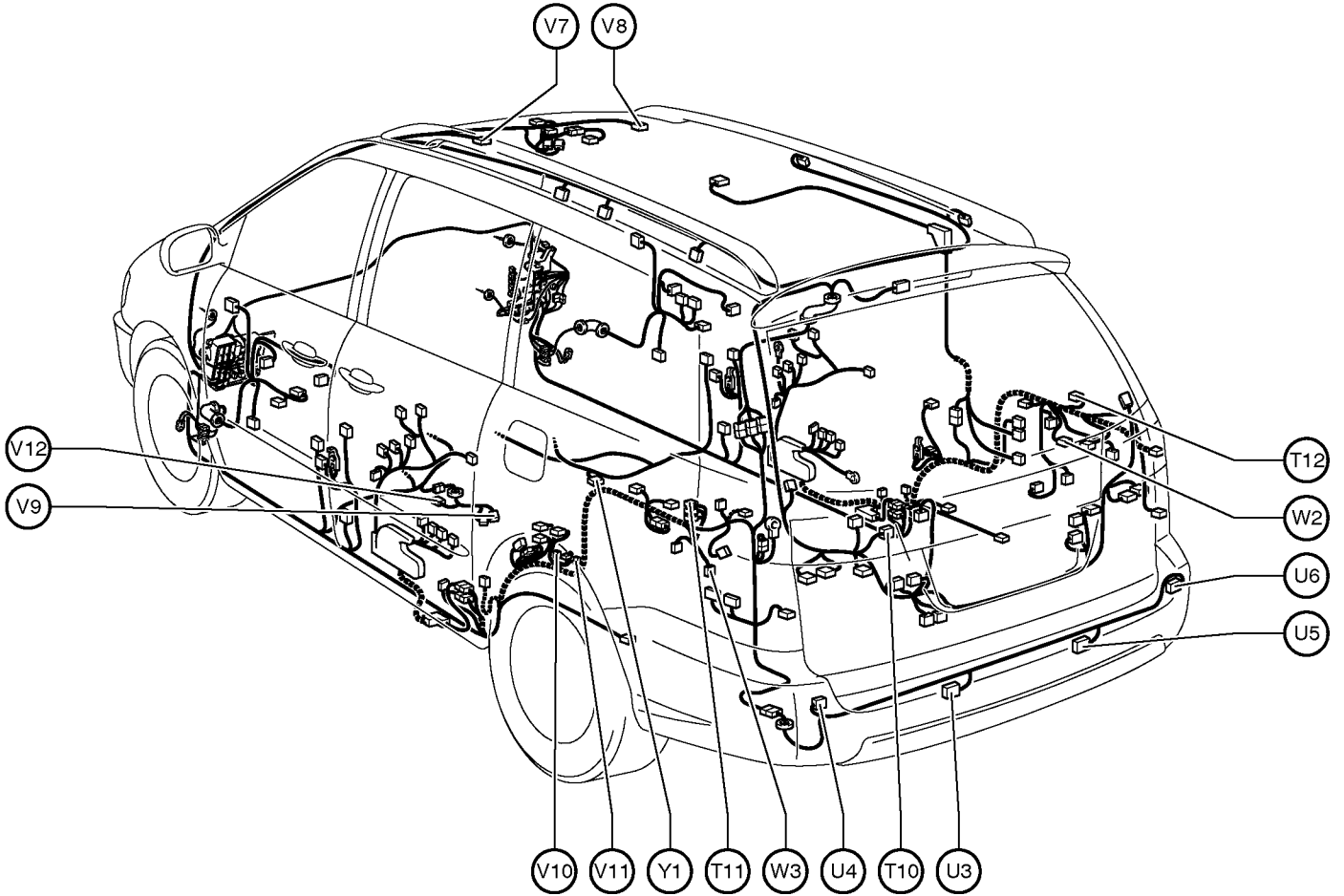
Position of Parts in Body



- R18 Rear A/C Control SW
- R19 Rear Combination Light LH
- R20 Rear Combination Light LH
- R21 Rear Combination Light RH
- R22 Rear Combination Light RH
- R23 Rear Room Temp. Sensor
- R24 Rear Seat Audio Controller
- R25 Rear Seat Entertainment Display
- R26 Rear Seat Entertainment ECU
- R27 Rear Seat Entertainment ECU
- R28 Rear Seat Entertainment ECU
- R29 Rear Speaker LH
- R30 Rear Speaker RH
- R31 Rear Window Defogger
- R32 Rear Window Defogger
- R33 Rear Wiper Motor and Relay

- S13 Satellite SW
- S14 Side Airbag Sensor Front LH
- S15 Side Airbag Sensor Front RH
- S16 Side Airbag Sensor Rear LH
- S17 Side Airbag Sensor Rear RH
- S20 Slide Door Attachment Control LH
- S21 Slide Door Attachment Control LH
- S22 Slide Door Attachment Control LH
- S23 Slide Door Attachment Control RH
- S24 Slide Door Attachment Control RH
- S25 Slide Door Attachment Control RH
- S26 Slide Door Courtesy Light LH
- S27 Slide Door Courtesy Light RH
- S28 Slide Door Courtesy SW LH
- S29 Slide Door Courtesy SW RH

Position of Parts in Body



T 10 Television Camera
 T 11 Tweeter Rear LH
 T 12 Tweeter Rear RH

U 3 Ultrasonic Sensor (Rear Left Center)
 U 4 Ultrasonic Sensor (Rear Left)
 U 5 Ultrasonic Sensor (Rear Right Center)
 U 6 Ultrasonic Sensor (Rear Right)

V 7 Vanity Light LH
 V 8 Vanity Light RH
 V 9 Vapor Pressure Sensor
 V 10 Video Terminal
 V 11 Voltage Inverter
 V 12 VSV (Canister Closed Valve)

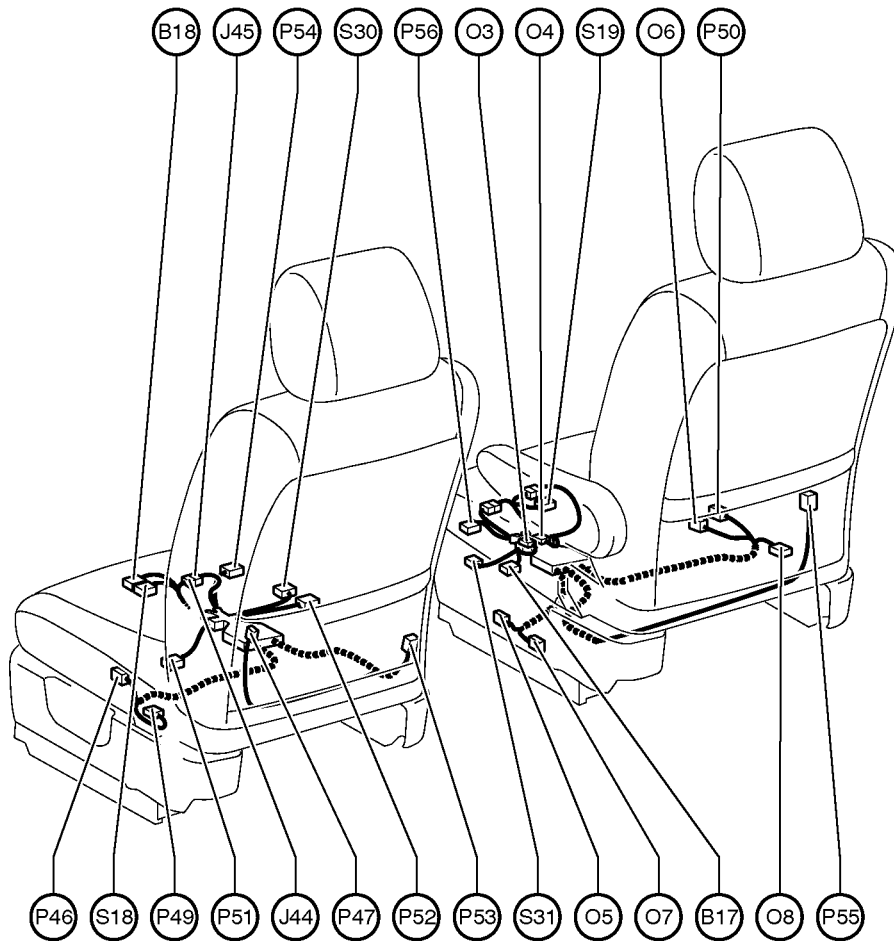
W 2 Water Valve Servo Motor
 W 3 Woofer

Y 1 Yaw Rate Sensor

G ELECTRICAL WIRING ROUTING

Position of Parts in Seat

[w/ Power Seat]



B17 Buckle SW RH
 B18 Buckle SW LH
 Seat Position Sensor

J 44 Junction Connector
 J 45 Junction Connector

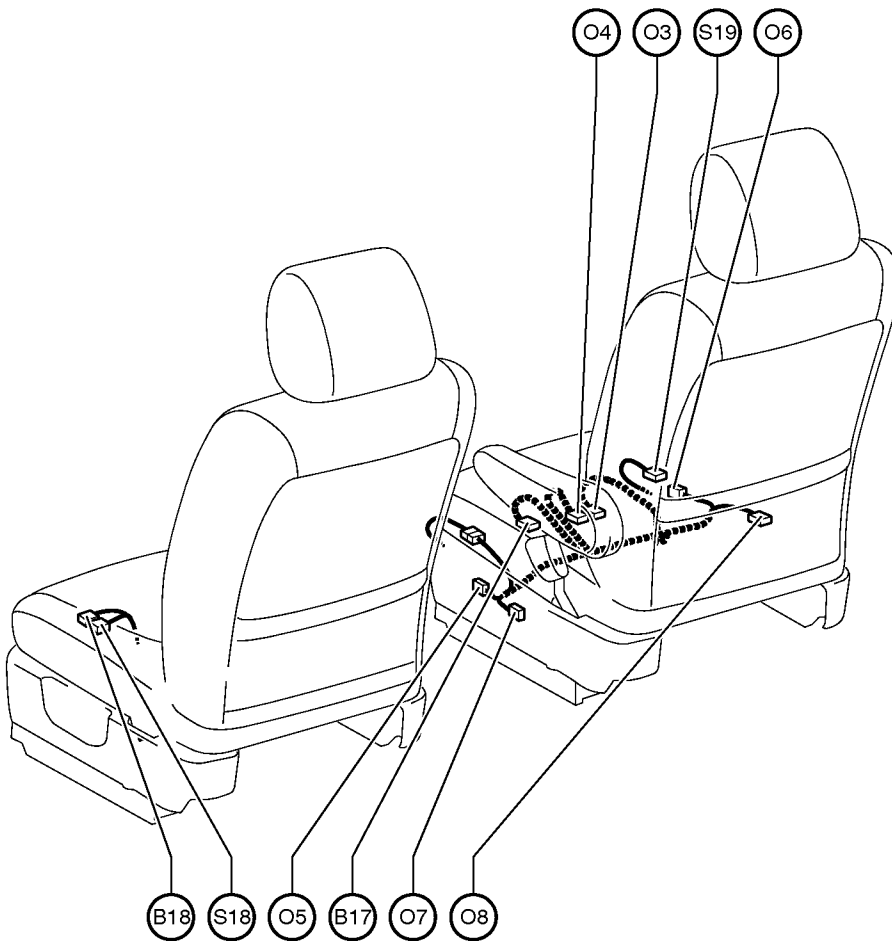
O 3 Occupant Classification ECU
 O 4 Occupant Classification ECU
 O 5 Occupant Classification Sensor Front LH
 O 6 Occupant Classification Sensor Front RH
 O 7 Occupant Classification Sensor Rear LH
 O 8 Occupant Classification Sensor Rear RH

P46 Power Seat Control SW (Driver's Seat)
 P47 Power Seat Motor (Driver's Seat Reclining Control)
 P49 Power Seat Control SW
 (Driver's Seat Lumbar Support Control)
 P50 Power Seat Control SW (Front Passenger's Seat)
 P51 Power Seat Motor (Driver's Seat Front Vertical Control)
 P52 Power Seat Motor (Driver's Seat Lifter Control)
 P53 Power Seat Motor
 (Driver's Seat Lumbar Support Control)
 P54 Power Seat Motor (Driver's Seat Slide Control)
 P55 Power Seat Motor
 (Front Passenger's Seat Reclining Control)
 P56 Power Seat Motor
 (Front Passenger's Seat Slide Control)

S18 Side Airbag Squib LH
 S19 Side Airbag Squib RH
 S30 Seat Heater ECU LH
 S31 Seat Heater ECU RH

Position of Parts in Seat

[w/o Power Seat]



B17 Buckle SW RH
 B18 Buckle SW LH
 Seat Position Sensor

S18 Side Airbag Squib LH
 S19 Side Airbag Squib RH

O 3 Occupant Classification ECU
 O 4 Occupant Classification ECU
 O 5 Occupant Classification Sensor Front LH
 O 6 Occupant Classification Sensor Front RH
 O 7 Occupant Classification Sensor Rear LH
 O 8 Occupant Classification Sensor Rear RH