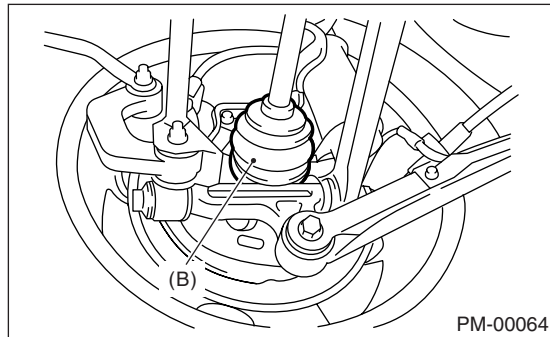
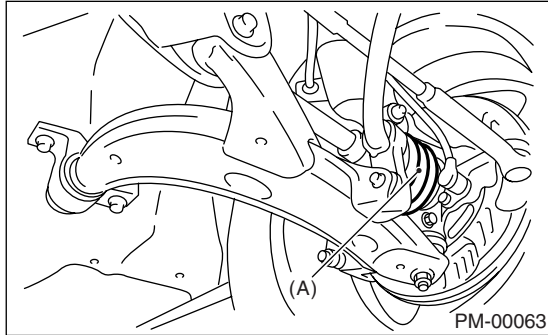


24. Axle Boots & Joints

A: INSPECTION

1. FRONT AND REAR AXLE BOOTS

Inspect the front axle boots (A) and rear axle boots (B) for deformation, damage or failure. If faulty, replace them with new ones. <Ref. to DS-33, Front Drive Shaft.> <Ref. to DS-39, Rear Drive Shaft.>



2. PROPELLER SHAFT

Inspect the propeller shaft for damage or failure. If faulty, replace with a new one. <Ref. to DS-15, Propeller Shaft.>