

25. Tire Rotation

A: INSPECTION

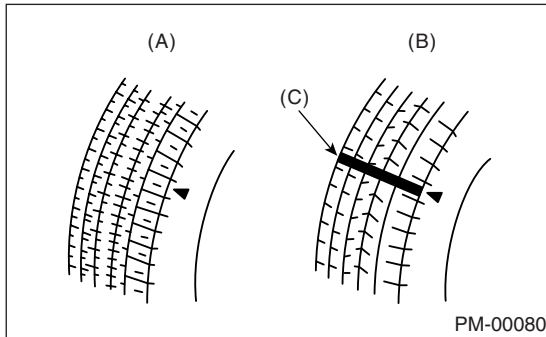
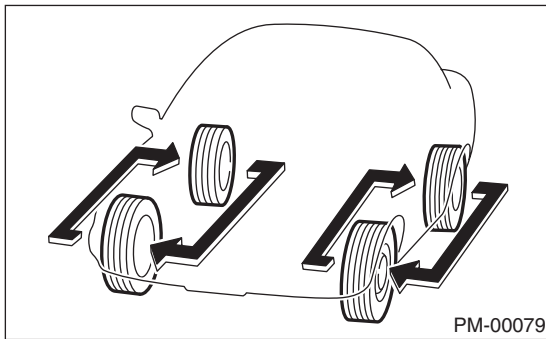
1) Replace the tire if the tread depth is less than 1.6 mm (0.063 in) or if wear indicators appear across the tire tread.

CAUTION:

It is recommended that both right and left tires are replaced as a set.

2) Adjust the wheel alignment if abnormally uneven tire wear is found.

3) Also, rotate the tires between the front and rear tires as illustrated every 10,000 km (6,200 miles) running, in order to ensure uniform tire wear.



- (A) New tread
- (B) Worn tread
- (C) Tread wear indicator