

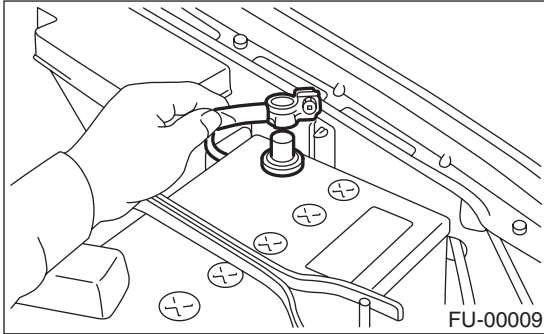
DRAIN VALVE

EMISSION CONTROL (AUX. EMISSION CONTROL DEVICES)

16. Drain Valve

A: REMOVAL

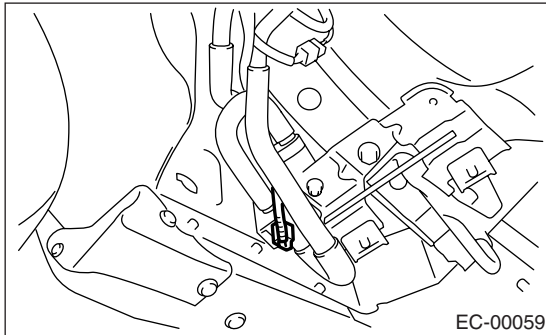
1) Disconnect the ground cable from battery.



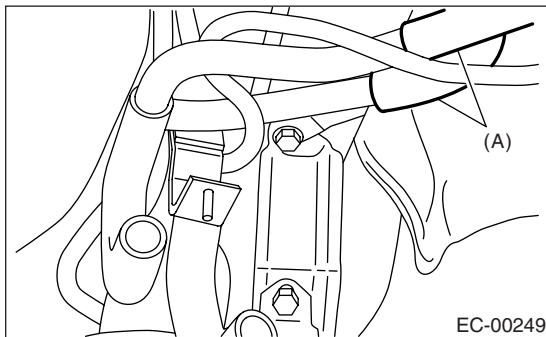
2) Lift-up the vehicle.

3) Remove the canister. <Ref. to EC(H4DOTC)-6, REMOVAL, Canister.>

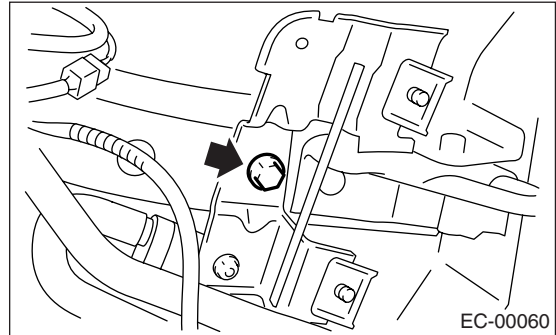
4) Disconnect the connector from drain valve.



5) Disconnect the evaporation hoses (A) from joint pipes.

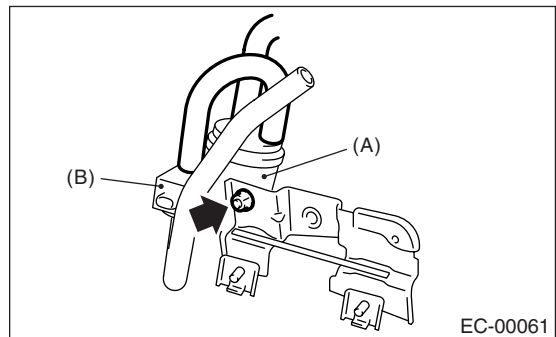


6) Remove the bolt which installs the drain valve and drain valve brackets on body, and remove them as a unit.



7) Disconnect the evaporation hoses from drain valve.

8) Remove the nuts, and then remove the drain valve.



- (A) Drain filter
- (B) Drain valve

DRAIN VALVE

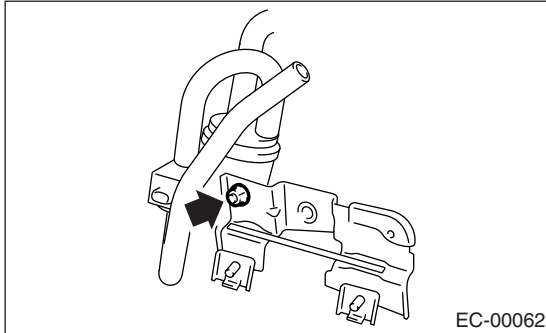
EMISSION CONTROL (AUX. EMISSION CONTROL DEVICES)

B: INSTALLATION

Install in the reverse order of removal.

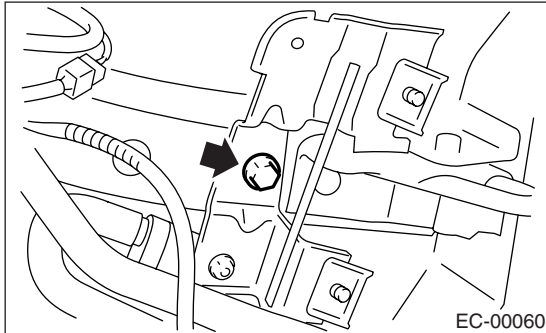
Tightening torque:

18 N·m (1.8 kgf·m, 13.0 ft·lb)



Tightening torque:

33 N·m (3.4 kgf·m, 25 ft·lb)



C: INSPECTION

- 1) Make sure all hoses are installed correctly.
- 2) Make sure the hoses are not cracked or loose.