

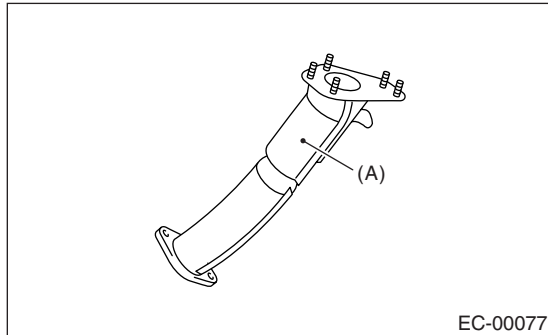
# PRECATALYTIC CONVERTER

EMISSION CONTROL (AUX. EMISSION CONTROL DEVICES)

## 4. Precatalytic Converter

### A: REMOVAL

Precatalytic converter (A) is built in the joint pipe. Refer to the removal of joint pipe for removal procedure. <Ref. to EX(H4DOTC)-12, REMOVAL, Joint Pipe.>



### B: INSTALLATION

Install in the reverse order of removal.

### C: INSPECTION

- 1) Make sure there are no exhaust leaks from connections and welds.
- 2) Make sure there are no holes or rusting.