

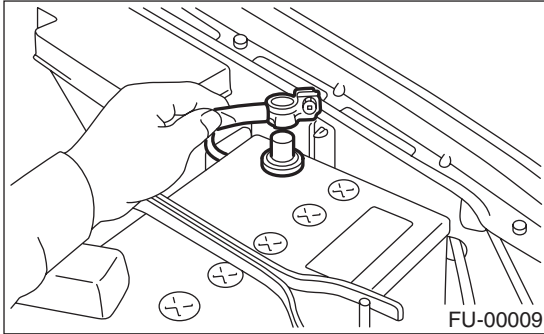
# JOINT PIPE

## EXHAUST

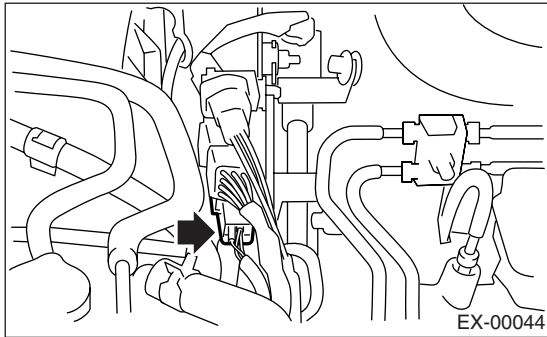
### 4. Joint Pipe

#### A: REMOVAL

1) Disconnect the ground cable from battery.



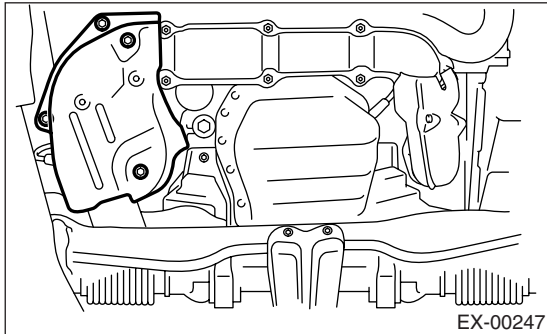
2) Disconnect the exhaust temperature sensor connector.



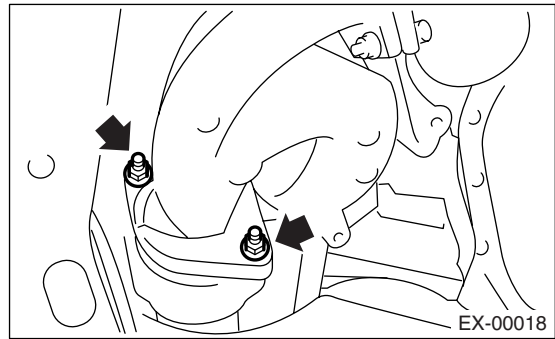
3) Remove the front oxygen (A/F) sensor. <Ref. to FU(H4DOTC)-37, REMOVAL, Front Oxygen (A/F) Sensor.>

4) Remove the under cover.

5) Remove the lower exhaust manifold cover (RH).



6) Remove the nuts which hold front exhaust manifold to joint pipe.



7) Remove the center exhaust pipe. <Ref. to EX(H4DOTC)-8, REMOVAL, Center Exhaust Pipe.>

8) Remove the turbocharger. <Ref. to IN(H4DOTC)-12, REMOVAL, Turbocharger.>

9) Take off the joint pipe in the upward direction.

#### B: INSTALLATION

Install in the reverse order of removal.

**Tightening torque:**

**T: 35 N·m (3.6 kgf-m, 26.0 ft-lb)**

