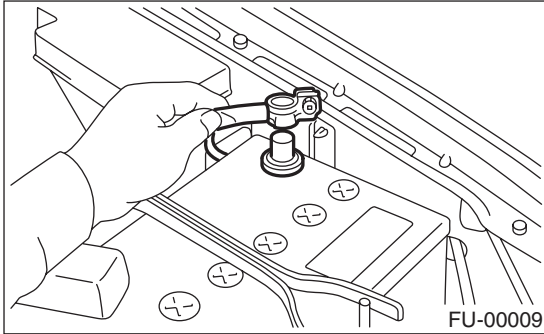


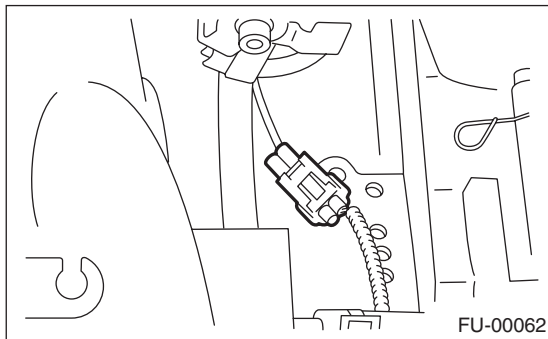
## 7. Knock Sensor

### A: REMOVAL

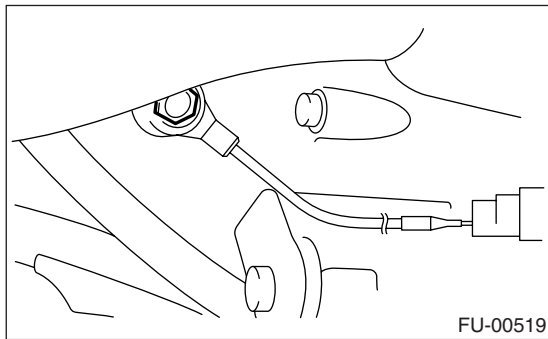
- 1) Disconnect the ground cable from battery.



- 2) Remove the intercooler. <Ref. to IN(H4DOTC)-10, REMOVAL, Intercooler.>
- 3) Disconnect the knock sensor connector.



- 4) Remove the knock sensor from the cylinder block.



### B: INSTALLATION

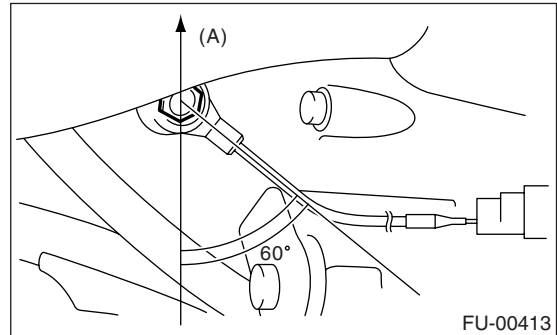
- 1) Install the knock sensor to the cylinder block.

#### **Tightening torque:**

**24 N·m (2.4 kgf-m, 17.4 ft-lb)**

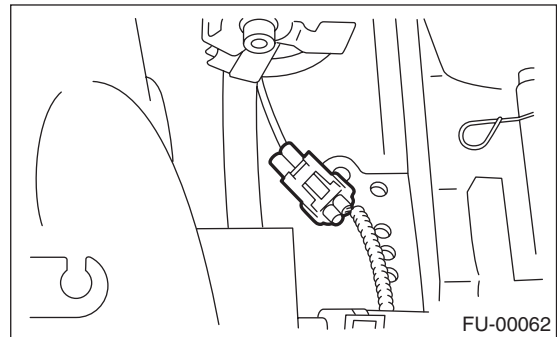
#### **NOTE:**

Extraction area of the knock sensor cord must be positioned at a 60° angle relative to the engine rear.



(A) Front side

- 2) Connect the knock sensor connector.



- 3) Install the intercooler. <Ref. to IN(H4DOTC)-11, INSTALLATION, Intercooler.>
- 4) Connect the battery ground cable to battery.

