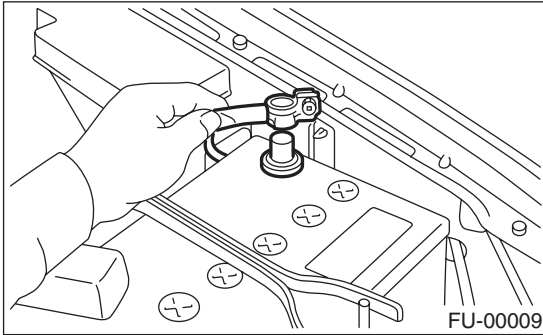


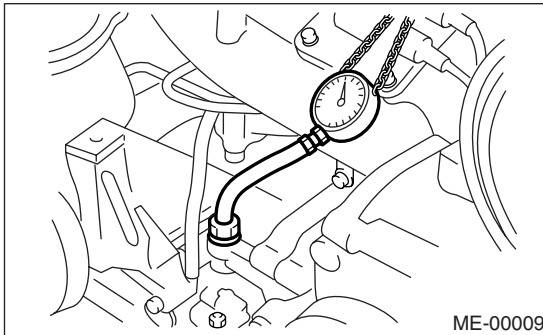
## 6. Engine Oil Pressure

### A: INSPECTION

- 1) Remove the oil pressure switch from engine cylinder block. <Ref. to LU(H4SO)-22, REMOVAL, Oil Pressure Switch.>
- 2) Connect the oil pressure gauge hose to cylinder block.
- 3) Connect the battery ground cable to battery.



- 4) Start the engine, and then measure the oil pressure.



#### **Oil pressure:**

**98 kPa (1.0 kgf/cm<sup>2</sup>, 14 psi) or more at 800 rpm**

**294 kPa (3.0 kgf/cm<sup>2</sup>, 43 psi) or more at 5,000 rpm**

- If the oil pressure is out of specification, check oil pump, oil filter and lubrication line. <Ref. to LU(H4SO)-26, INSPECTION, Engine Lubrication System Trouble in General.>
- If the oil pressure warning light is turned ON and oil pressure is in specification, replace the oil pressure switch. <Ref. to LU(H4SO)-26, INSPECTION, Engine Lubrication System Trouble in General.>

#### **NOTE:**

The specified data is based on an engine oil temperature of 80°C (176°F).

- 5) After measuring the oil pressure, install the oil pressure switch. <Ref. to LU(H4SO)-22, INSTALLATION, Oil Pressure Switch.>

#### **Tightening torque:**

**25 N·m (2.5 kgf·m, 18.1 ft·lb)**