

GENERAL DESCRIPTION

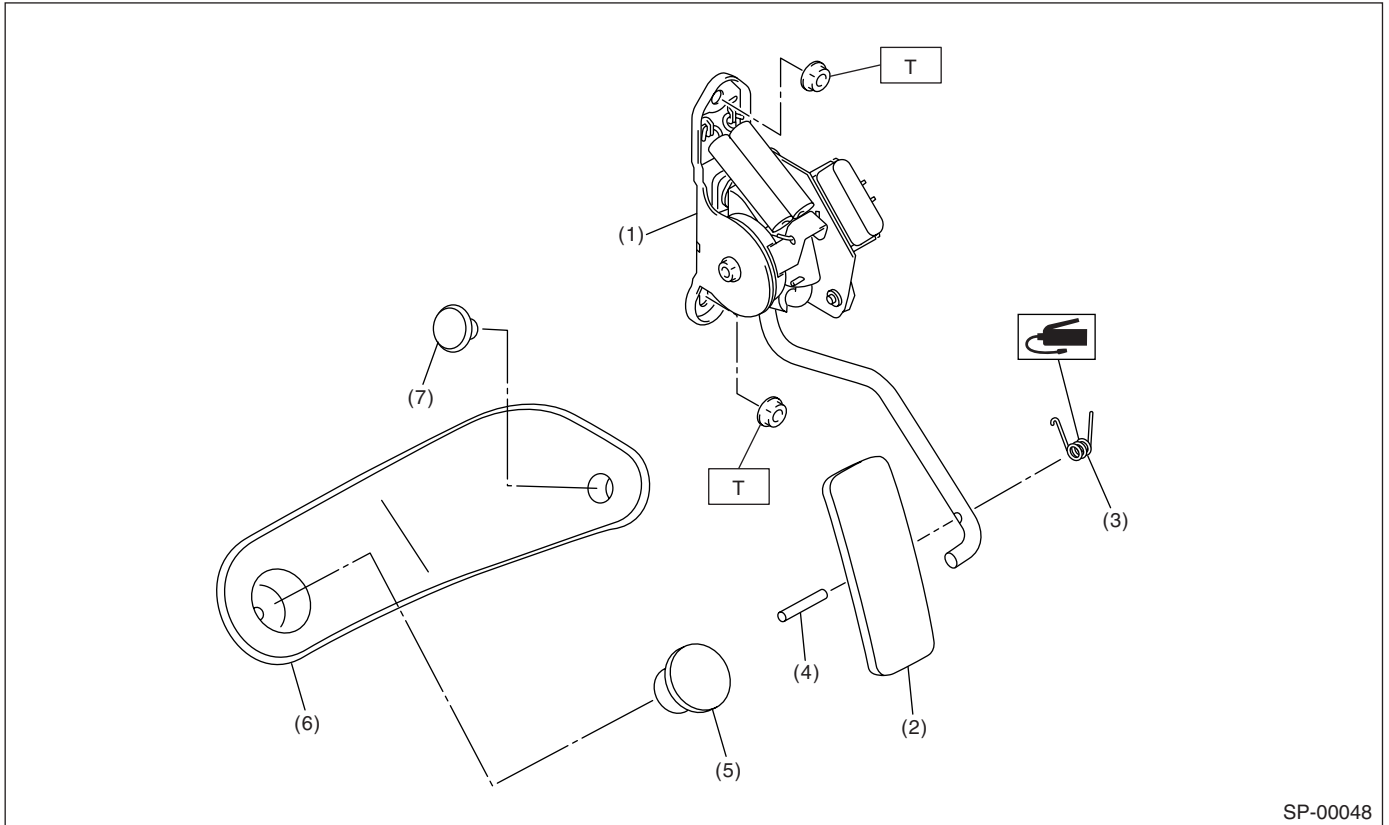
SPEED CONTROL SYSTEMS

1. General Description

A: SPECIFICATION

Accelerator pedal	Free play	At pedal pad	0 — 4 mm (0 — 0.16 in)
	Stroke	At pedal pad	52 — 57 mm (2.05 — 2.24 in)

B: COMPONENT



SP-00048

- (1) Accelerator pedal ASSY
- (2) Accelerator pedal
- (3) Accelerator pedal spring
- (4) Spring pin
- (5) Accelerator stopper
- (6) Accelerator plate
- (7) Clip

Tightening torque: N-m (kgf-m, ft-lb)
T: 18 (1.8, 13.0)

C: CAUTION

- Wear work clothing, including a cap, protective goggles, and protective shoes during operation.
- Remove contamination, including dirt and corrosion, before removal, installation or disassembly.
- Keep the disassembled parts in order and protect them from dust and dirt.
- Before removal, installation or disassembly, be sure to clarify the failure. Avoid unnecessary removal, installation, disassembly, and replacement.
- Be careful not to burn your hands, because each part in the vehicle is hot after running.
- Be sure to tighten fasteners including bolts and nuts to the specified torque.
- Place shop jacks or safety stands at the specified points.
- Before disconnecting electrical connectors of sensors or units, be sure to disconnect the ground cable from battery.