

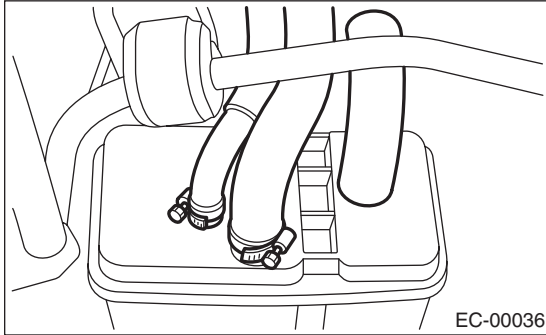
CANISTER

EMISSION CONTROL (AUX. EMISSION CONTROL DEVICES)

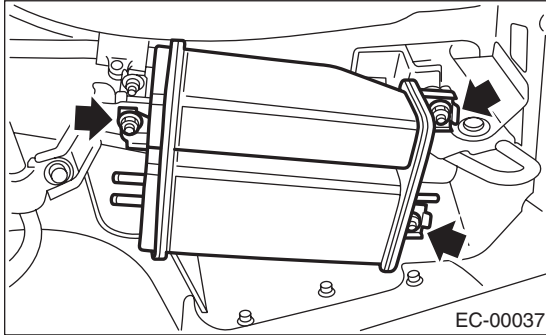
5. Canister

A: REMOVAL

- 1) Lift-up the vehicle.
- 2) Loosen the two clamps which hold two canister hoses, and disconnect the evaporation hose from canister.



- 3) Remove the canister from body.

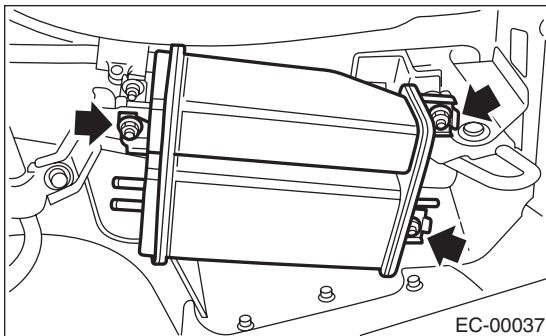


B: INSTALLATION

Install in the reverse order of removal.

Tightening torque:

23 N·m (2.3 kgf·m, 17 ft·lb)



C: INSPECTION

Make sure the canister and canister hoses are not cracked or loose.