

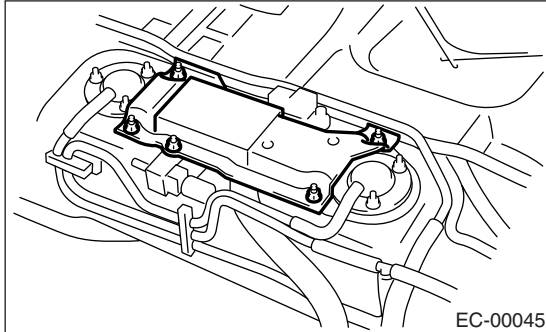
VENT VALVE

EMISSION CONTROL (AUX. EMISSION CONTROL DEVICES)

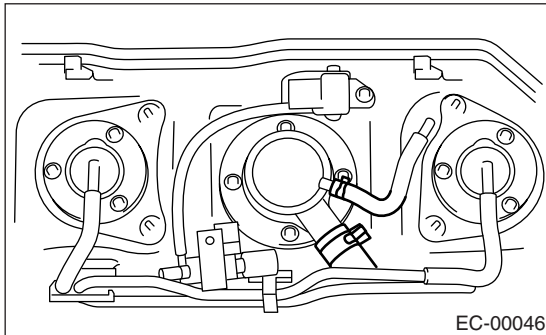
14. Vent Valve

A: REMOVAL

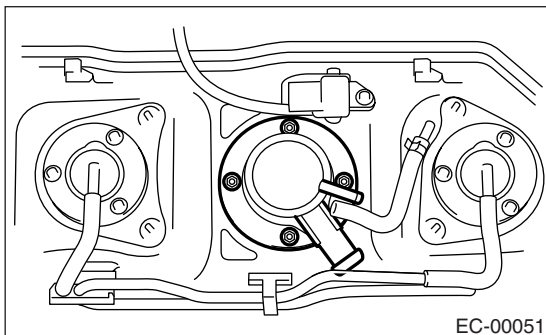
- 1) Remove the fuel tank. <Ref. to FU(H4SO)-50, REMOVAL, Fuel Tank.>
- 2) Remove the protector cover.



- 3) Remove the clips, and disconnect the hoses from vent valve.



- 4) Remove the nuts, and then remove the vent valve.



B: INSTALLATION

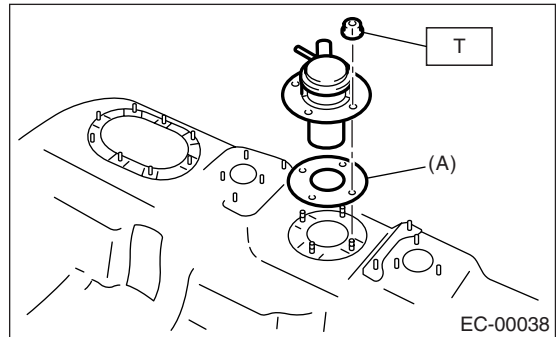
Install in the reverse order of removal.

NOTE:

Replace the rubber seat with a new one.

Tightening torque:

T: 4.4 N·m (0.45 kgf-m, 3.3 ft-lb)

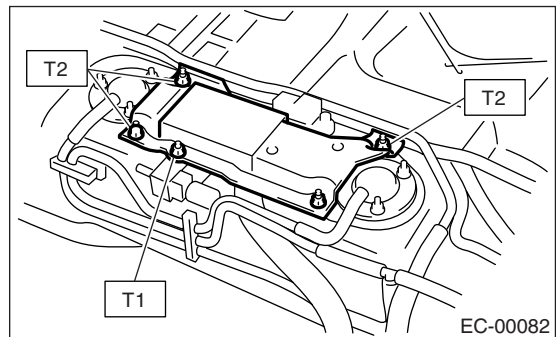


(A) Rubber seat

Tightening torque:

T1: 7.4 N·m (0.75 kgf-m, 5.4 ft-lb)

T2: 4.4 N·m (0.45 kgf-m, 3.3 ft-lb)



C: INSPECTION

Make sure the hoses are not cracked or loose.