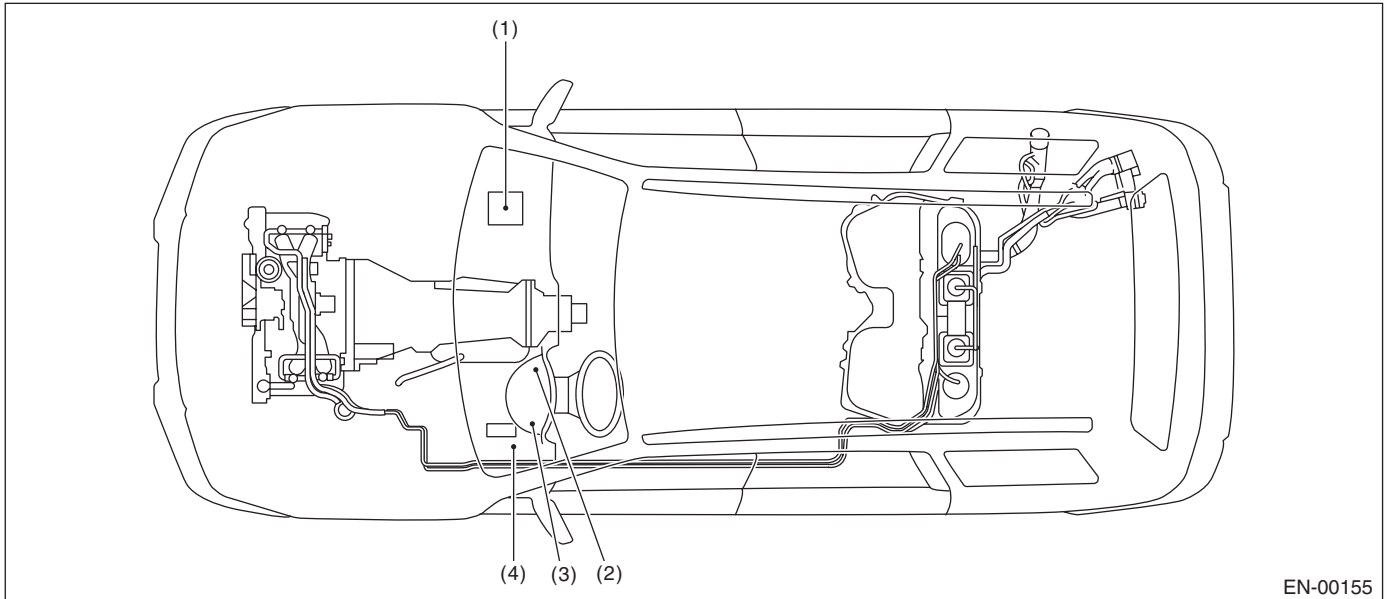


4. Electrical Components Location

A: LOCATION

1. ENGINE

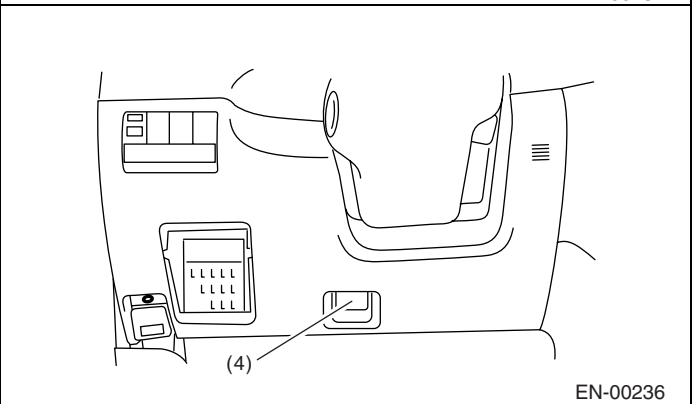
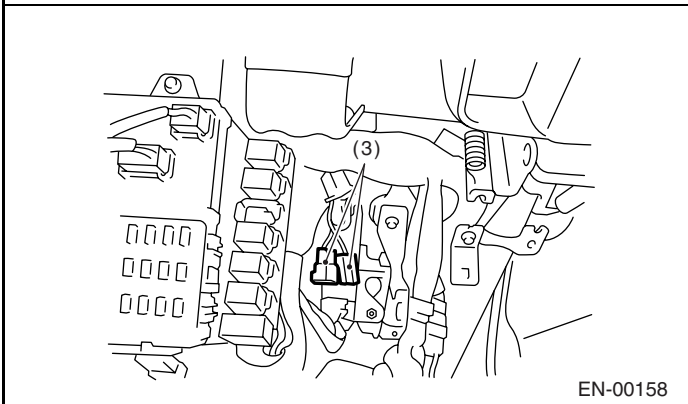
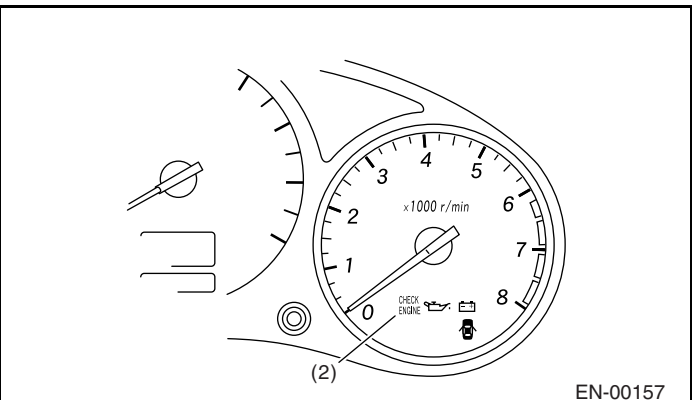
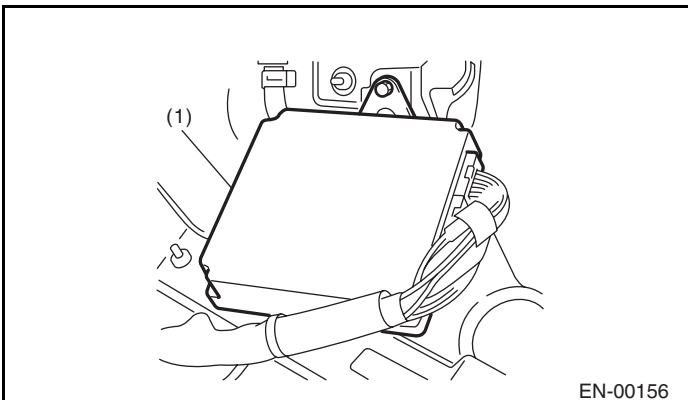
• MODULE



- (1) Engine control module (ECM)
- (2) Malfunction indicator light

- (3) Test mode connector

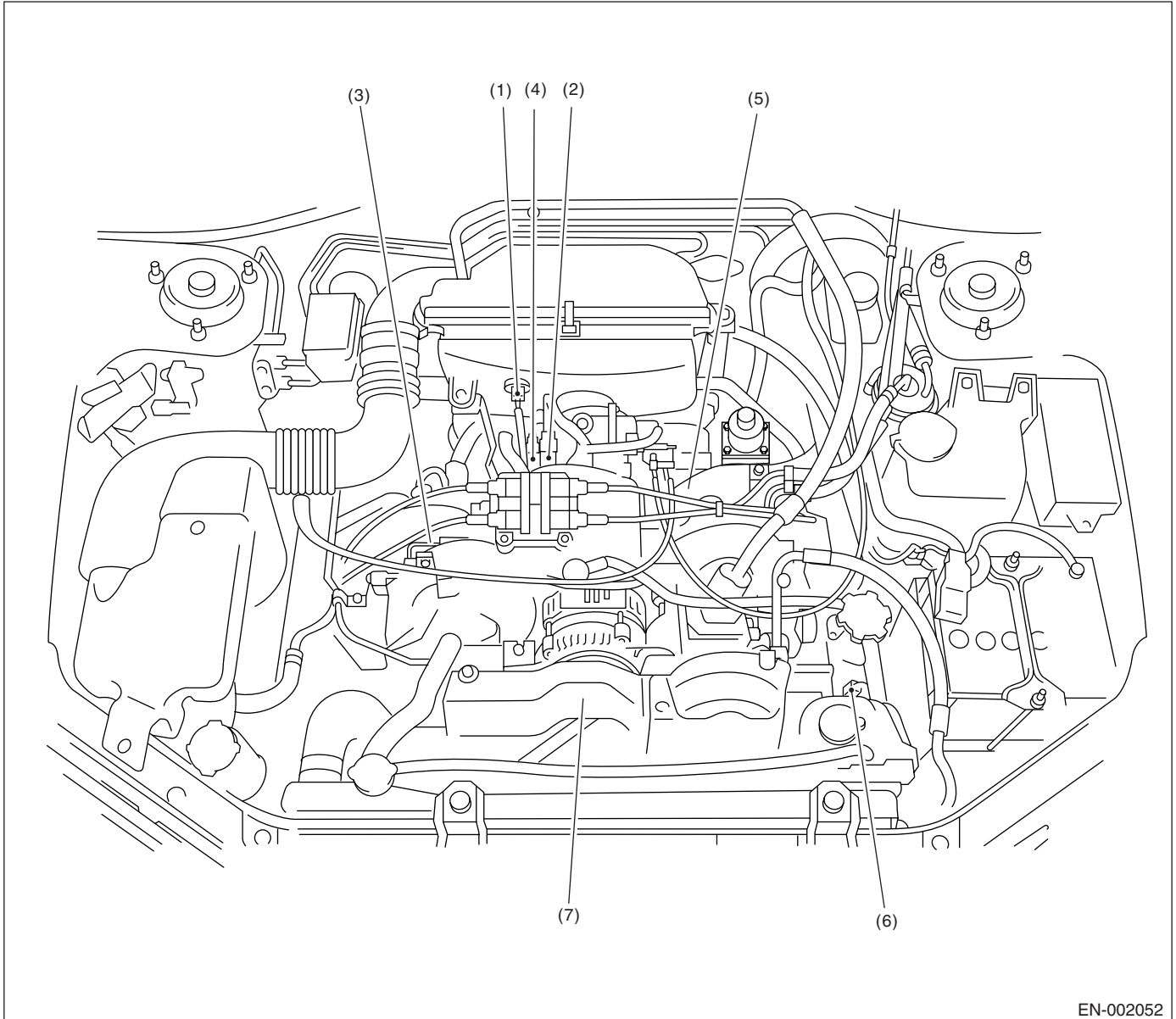
- (4) Data link connector



ELECTRICAL COMPONENTS LOCATION

ENGINE (DIAGNOSTICS)

• SENSOR



(1) Intake air temperature sensor

(4) Throttle position sensor

(6) Camshaft position sensor

(2) Manifold absolute pressure sensor

(5) Knock sensor

(7) Crankshaft position sensor

(3) Engine coolant temperature sensor

ELECTRICAL COMPONENTS LOCATION

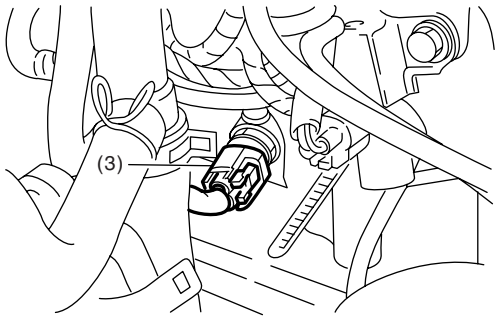
ENGINE (DIAGNOSTICS)



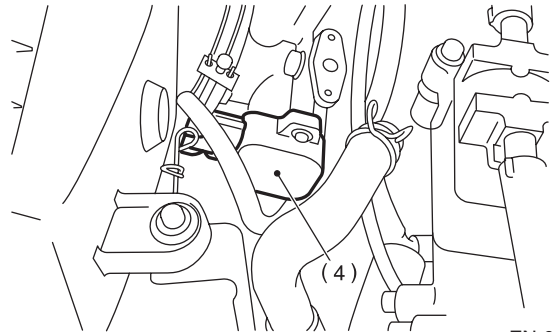
EN-00006



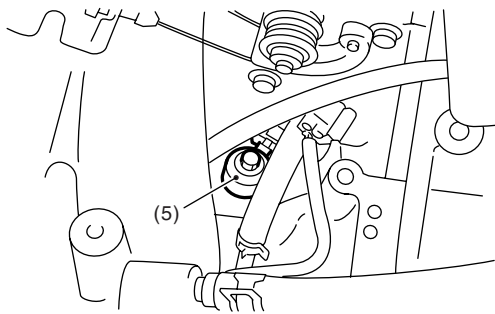
EN-00160



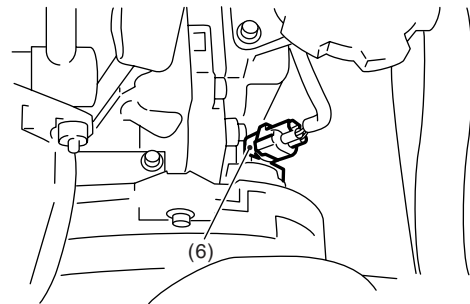
EN-00008



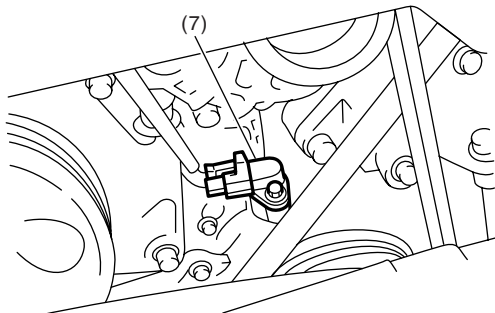
EN-00161



EN-00010



EN-00011

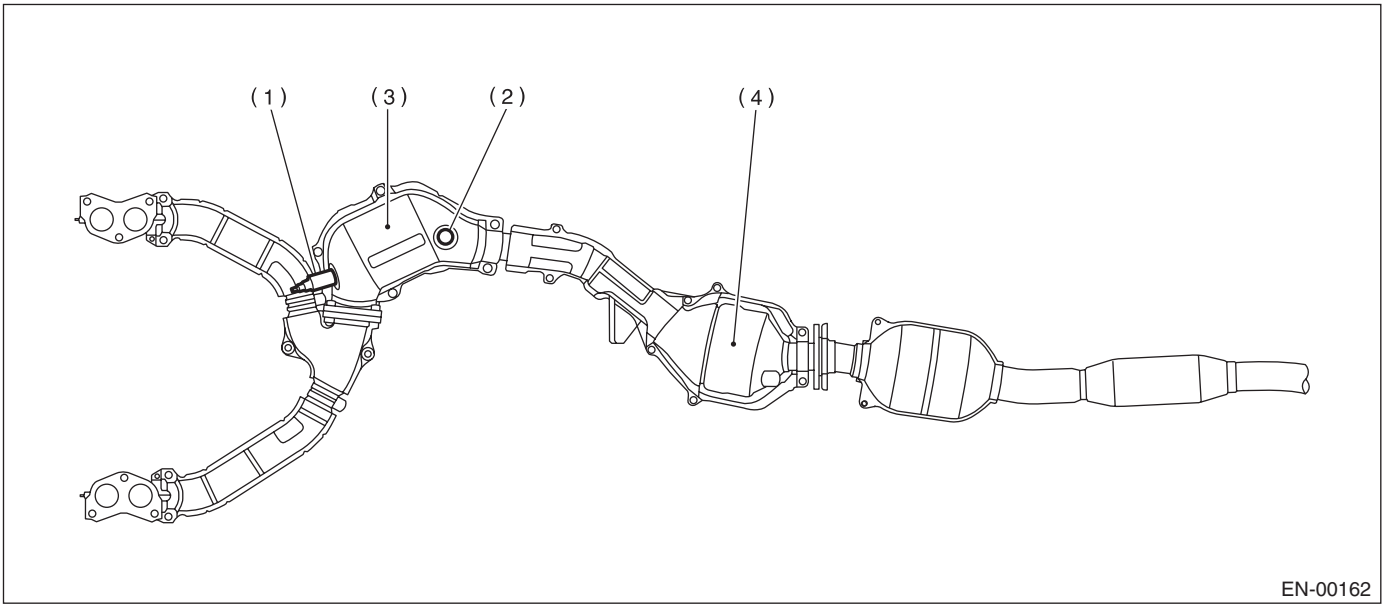


EN-00012

SUBARU.

ELECTRICAL COMPONENTS LOCATION

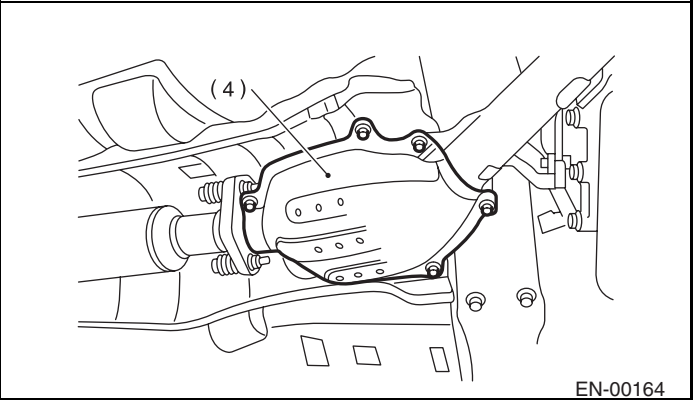
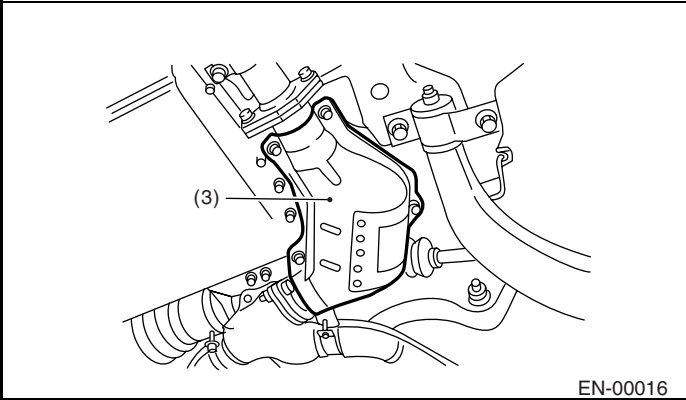
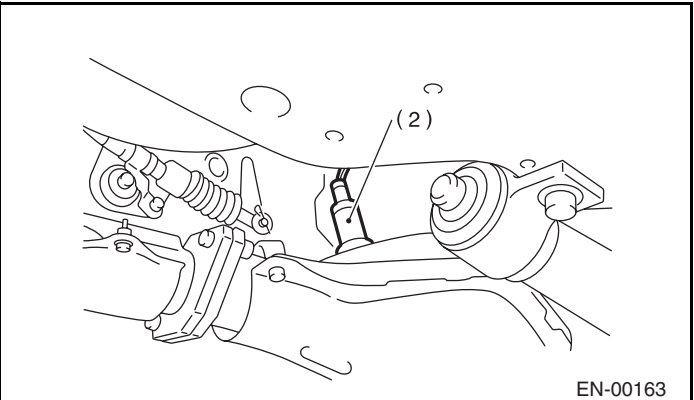
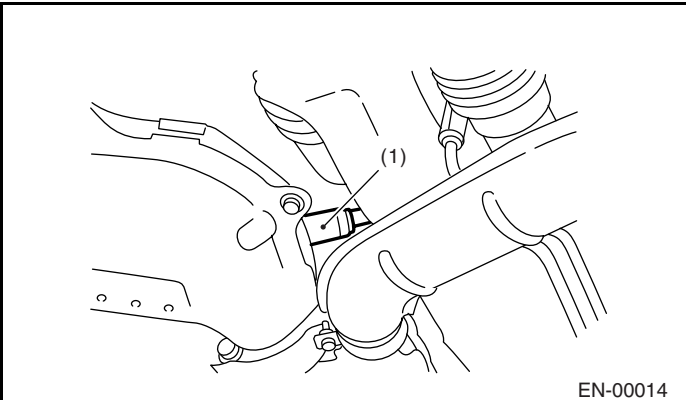
ENGINE (DIAGNOSTICS)



- (1) Front oxygen (A/F) sensor
- (2) Rear oxygen sensor

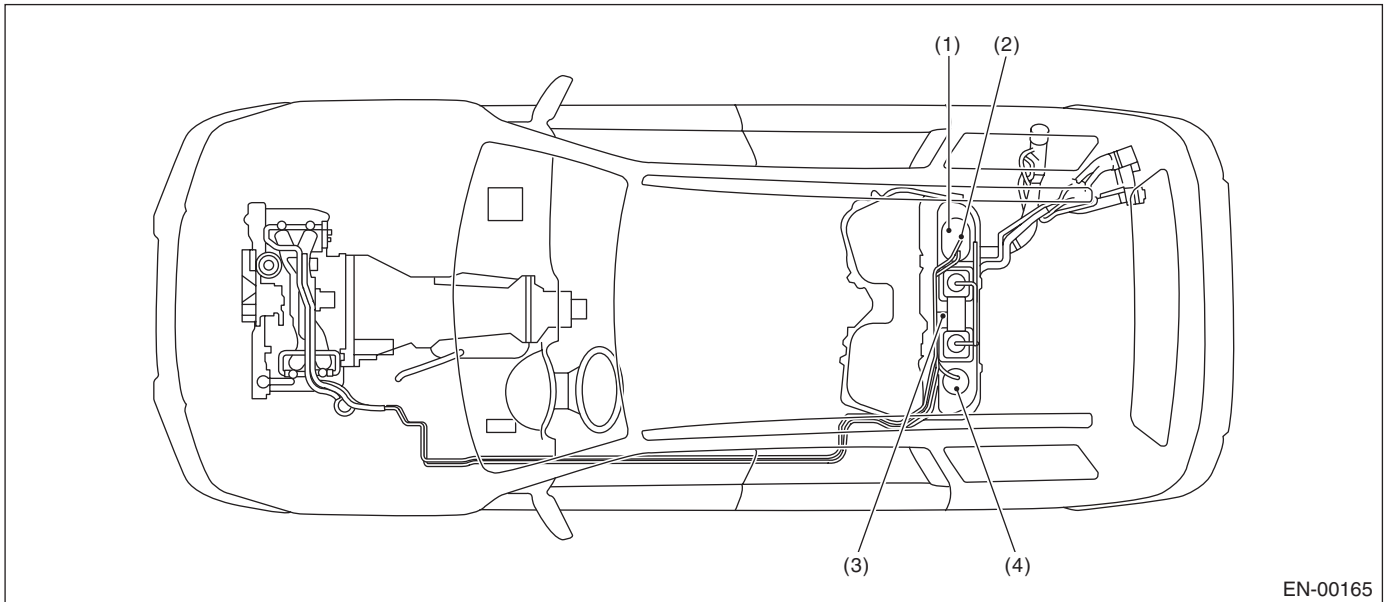
- (3) Front catalytic converter

- (4) Rear catalytic converter



ELECTRICAL COMPONENTS LOCATION

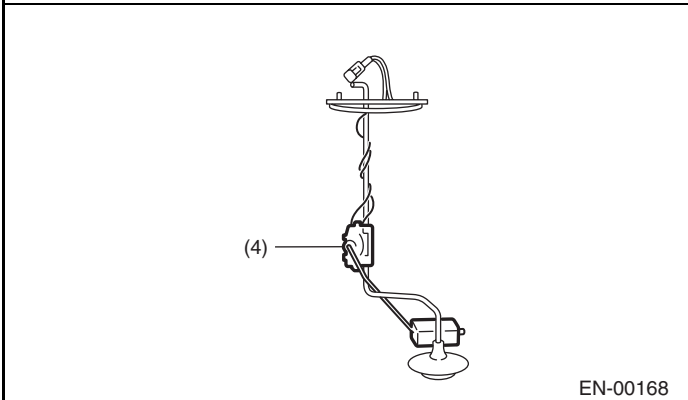
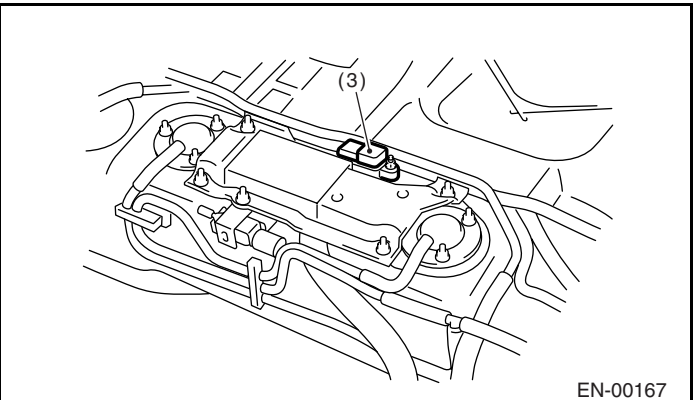
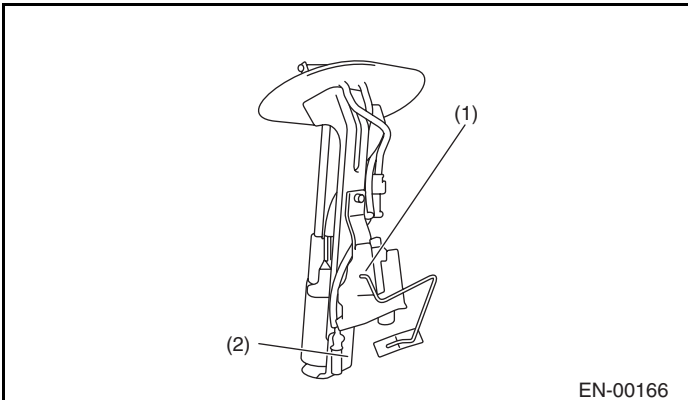
ENGINE (DIAGNOSTICS)



- (1) Fuel level sensor
- (2) Fuel temperature sensor

- (3) Fuel tank pressure sensor

- (4) Fuel sub level sensor

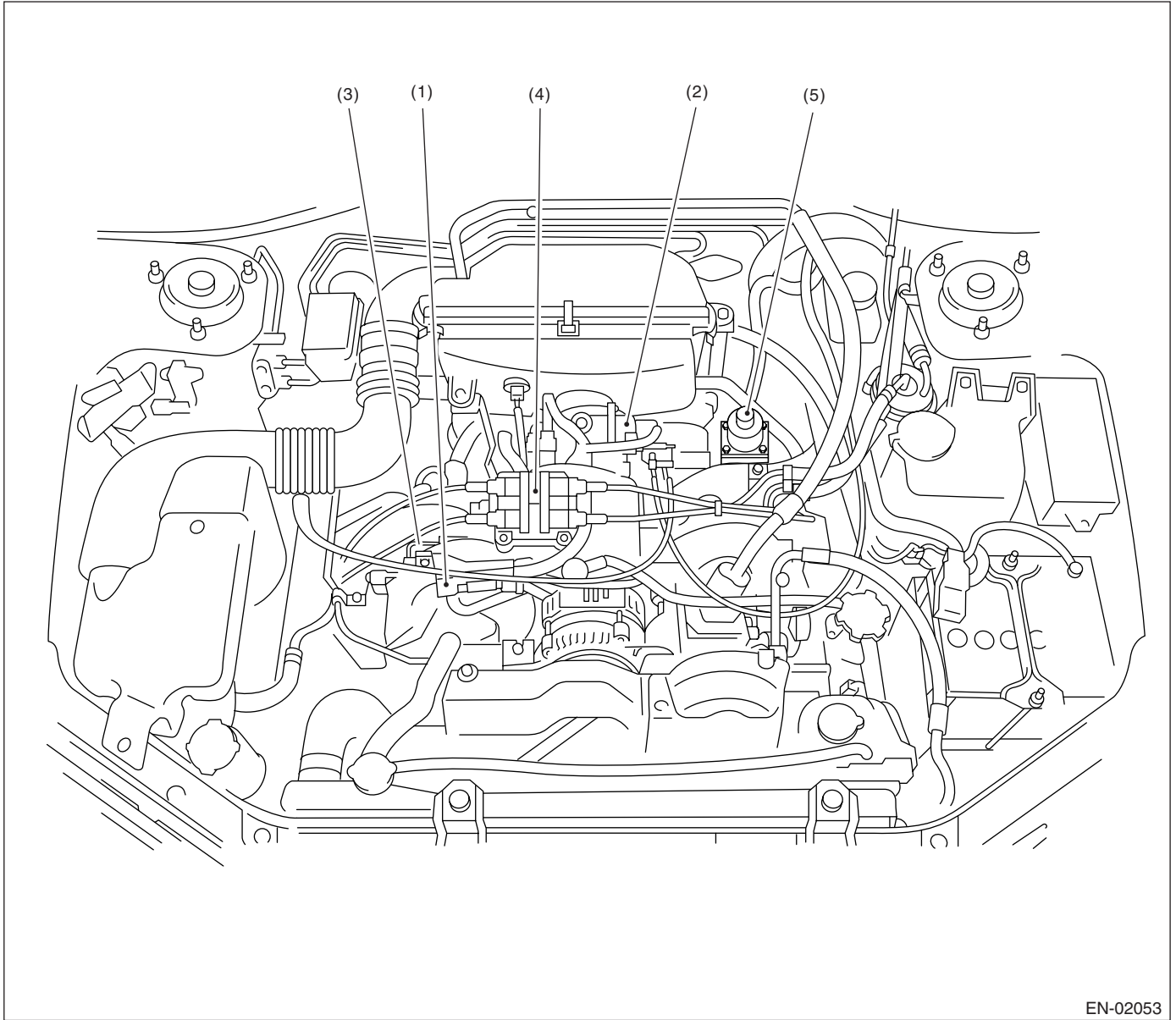


SUBARU.

ELECTRICAL COMPONENTS LOCATION

ENGINE (DIAGNOSTICS)

• SOLENOID VALVE, EMISSION CONTROL SYSTEM PARTS AND IGNITION SYSTEM PARTS

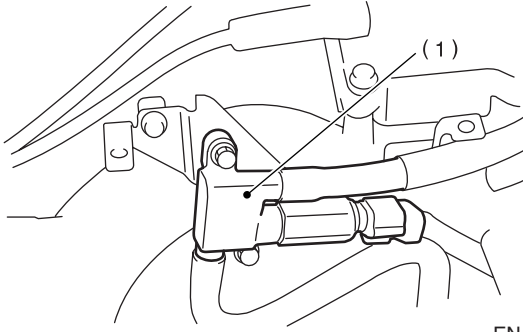


EN-02053

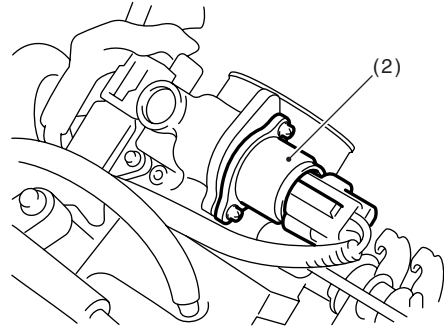
- | | | |
|--|----------------------------------|------------------------|
| (1) Air assisted injector solenoid valve | (3) Purge control solenoid valve | (5) EGR solenoid valve |
| (2) Idle air control solenoid valve | (4) Ignition coil & ignitor ASSY | |

ELECTRICAL COMPONENTS LOCATION

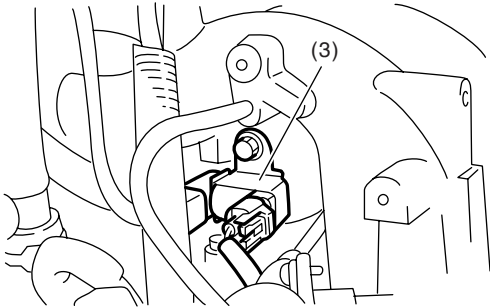
ENGINE (DIAGNOSTICS)



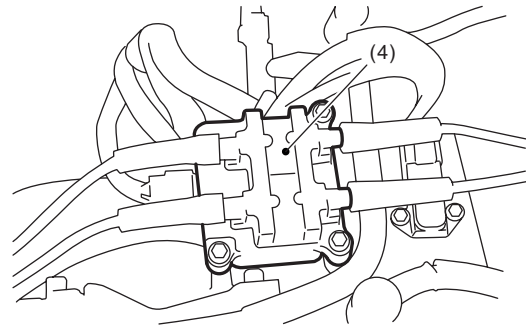
EN-00170



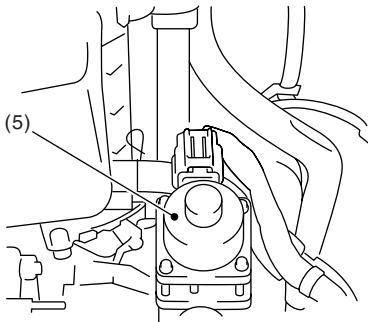
EN-00171



EN-00020



EN-00172

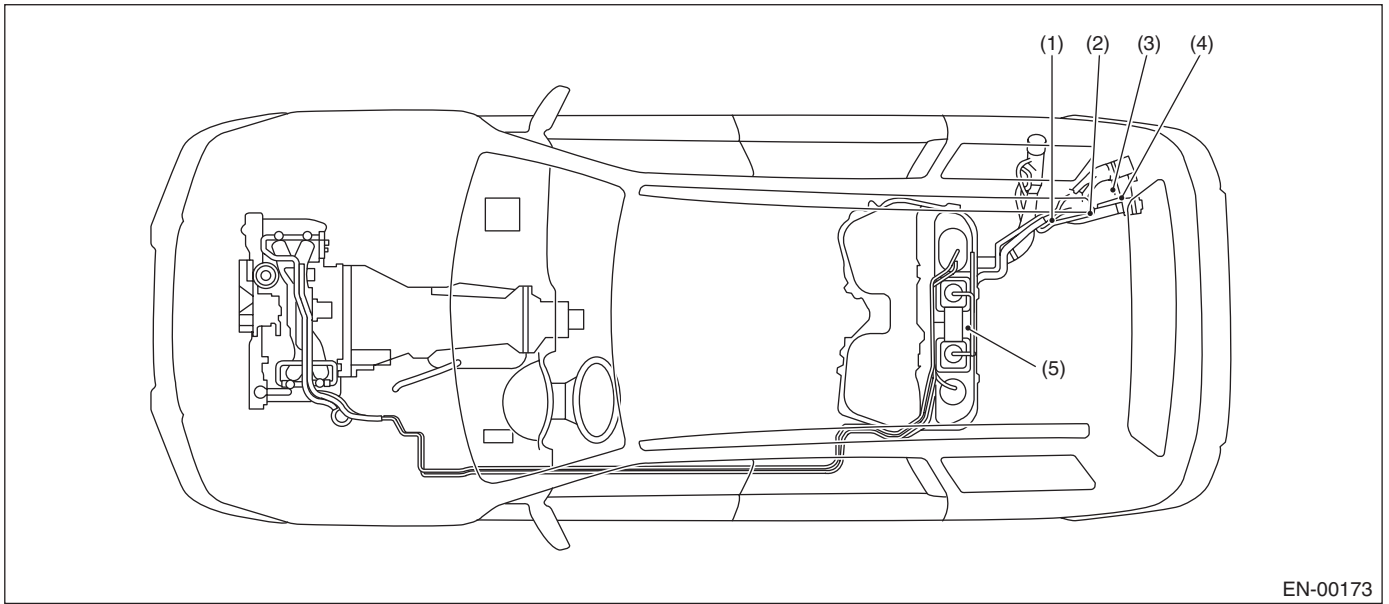


EN-01590

SUBARU.

ELECTRICAL COMPONENTS LOCATION

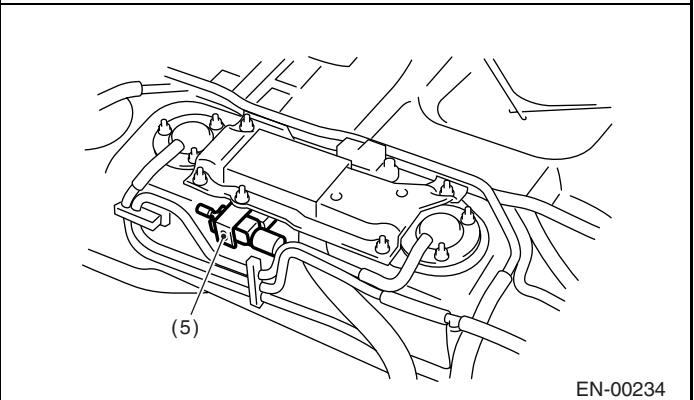
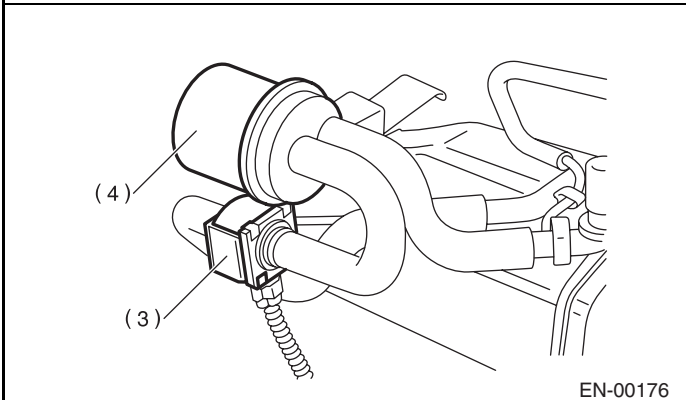
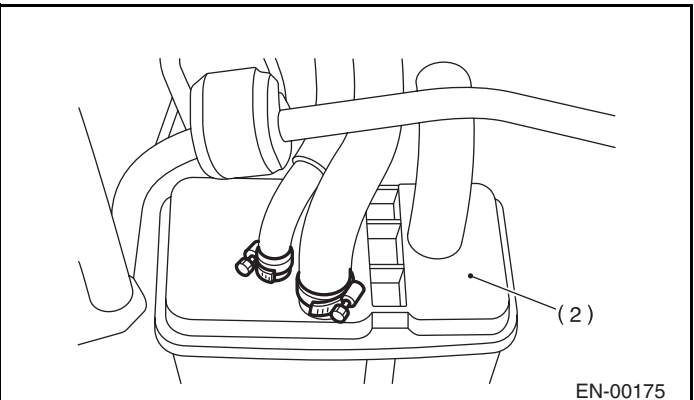
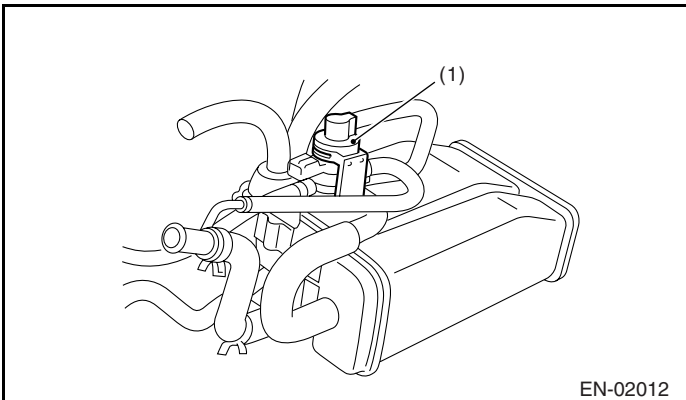
ENGINE (DIAGNOSTICS)



(1) Pressure control solenoid valve
(2) Canister

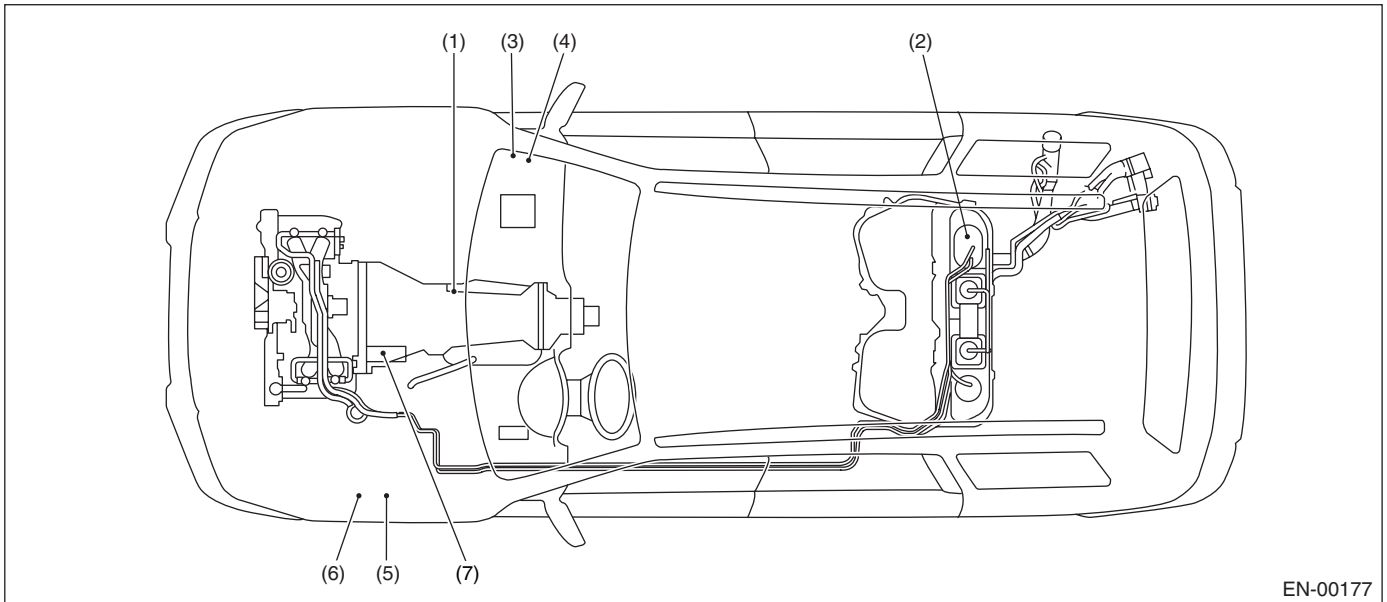
(3) Drain valve
(4) Drain filter

(5) Fuel tank sensor control valve



ELECTRICAL COMPONENTS LOCATION

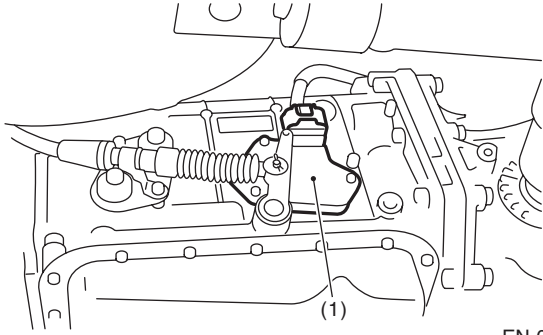
ENGINE (DIAGNOSTICS)



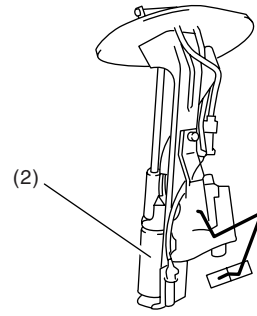
- | | | |
|----------------------|-----------------------------|-------------|
| (1) Inhibitor switch | (4) Fuel pump relay | (7) Starter |
| (2) Fuel pump | (5) Radiator main fan relay | |
| (3) Main relay | (6) Radiator sub fan relay | |

ELECTRICAL COMPONENTS LOCATION

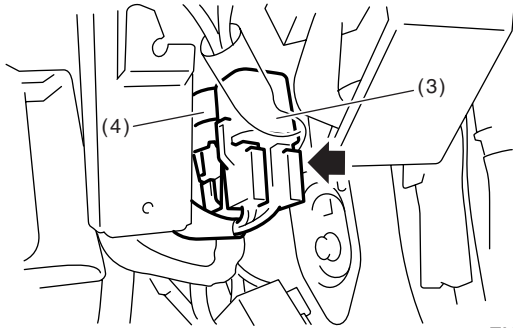
ENGINE (DIAGNOSTICS)



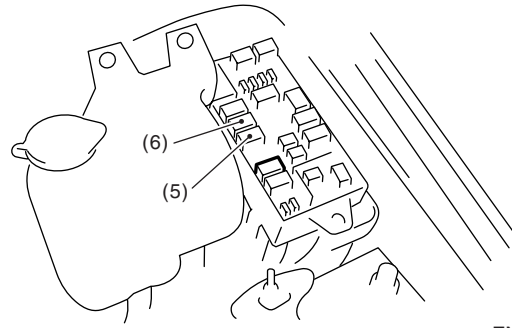
EN-00178



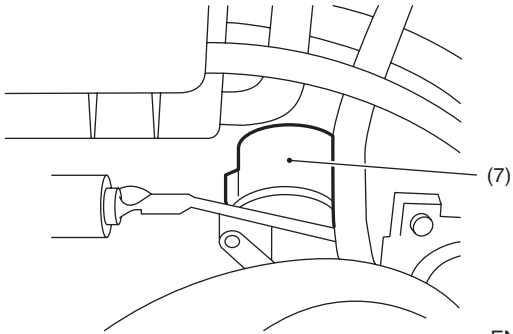
EN-00179



EN-00237



EN-00180



EN-00181

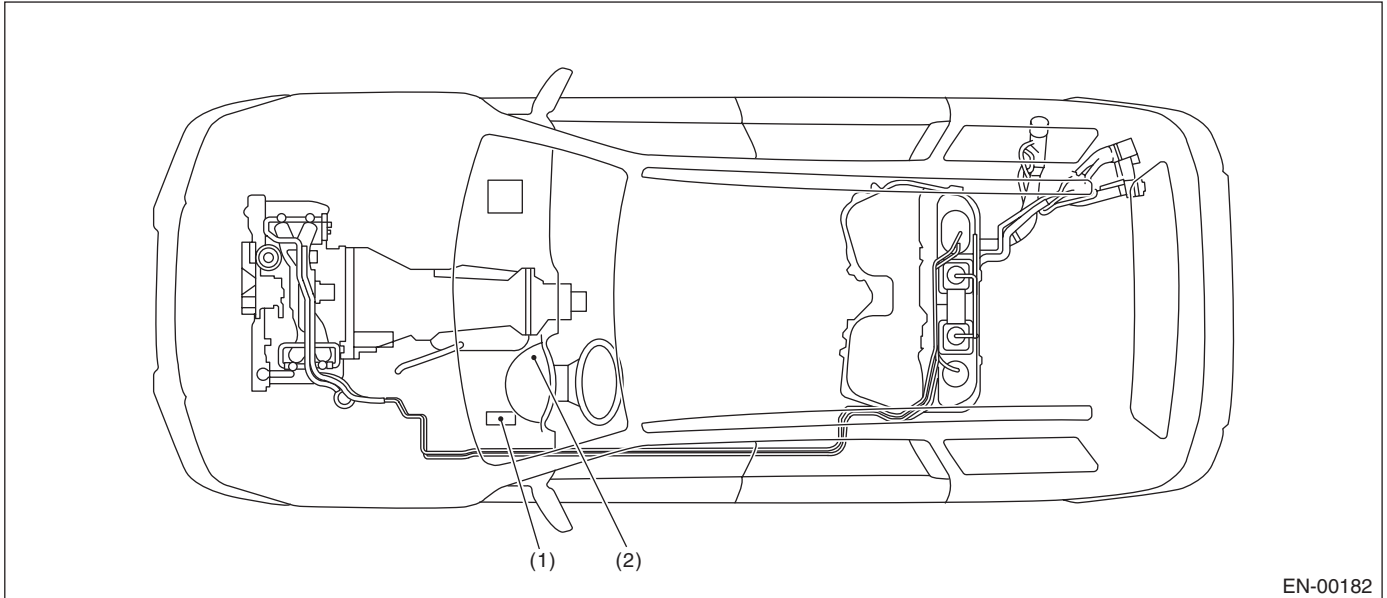
SUBARU.

ELECTRICAL COMPONENTS LOCATION

ENGINE (DIAGNOSTICS)

2. TRANSMISSION

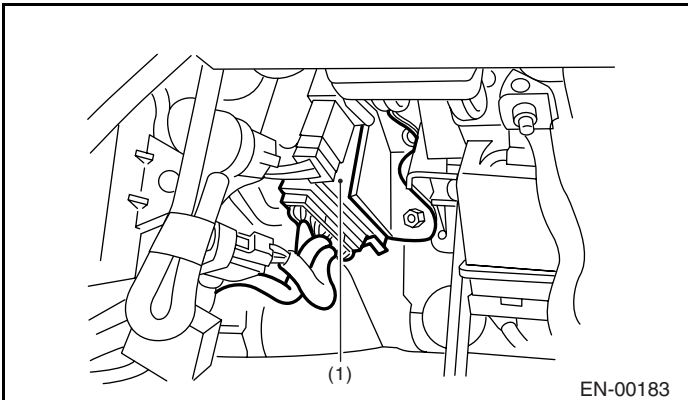
• MODULE



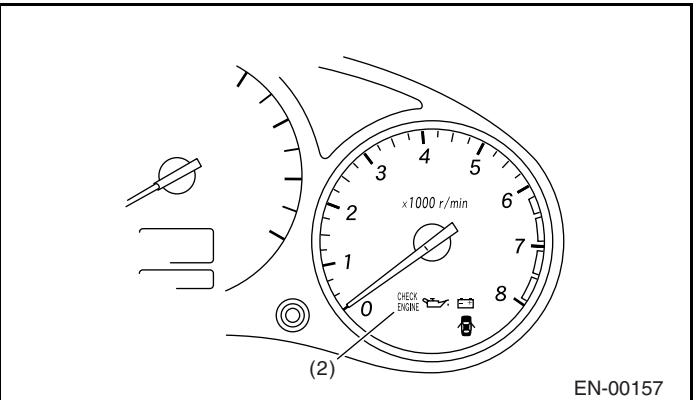
EN-00182

(1) Transmission control module (TCM) (AT model)

(2) AT diagnostic indicator light (AT model)



EN-00183

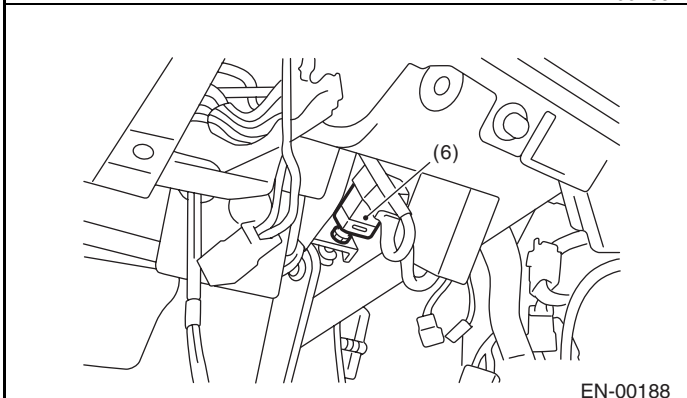
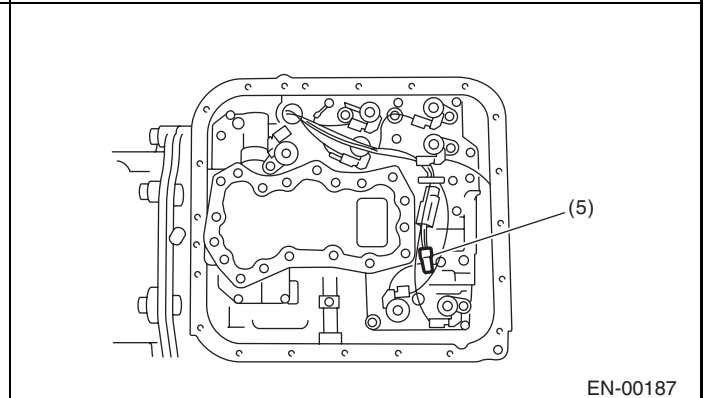
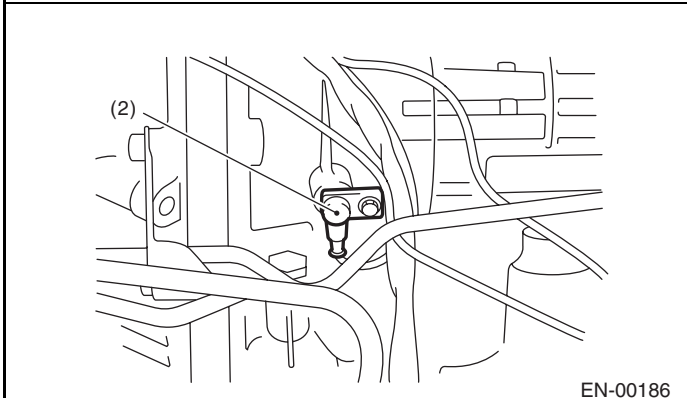
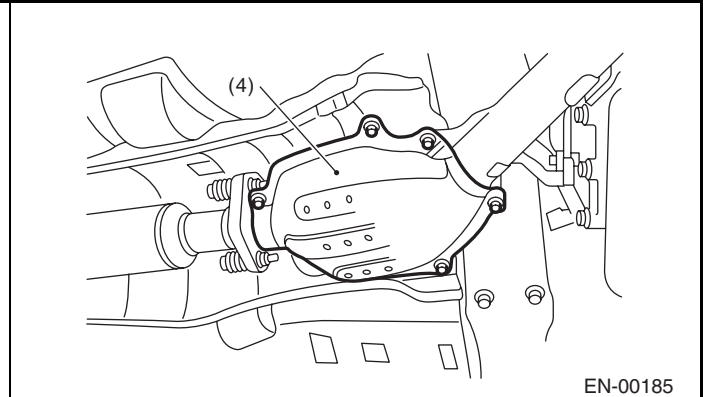
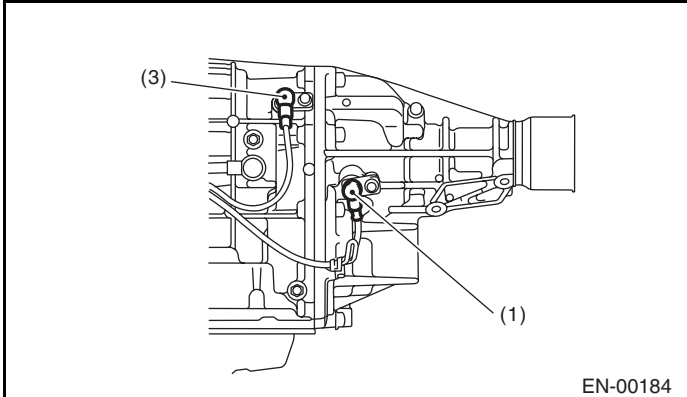


EN-00157

ELECTRICAL COMPONENTS LOCATION

ENGINE (DIAGNOSTICS)

• SENSOR



- (1) Rear vehicle speed sensor (AT model)
- (2) Front vehicle speed sensor (MT model)

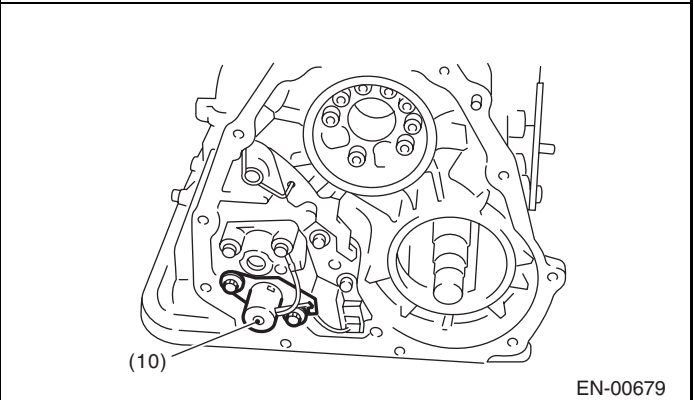
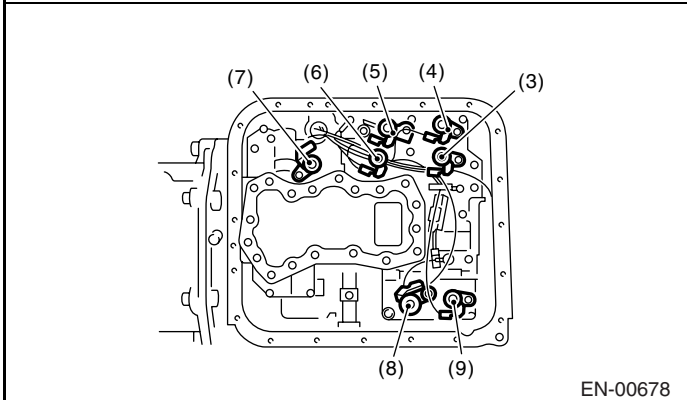
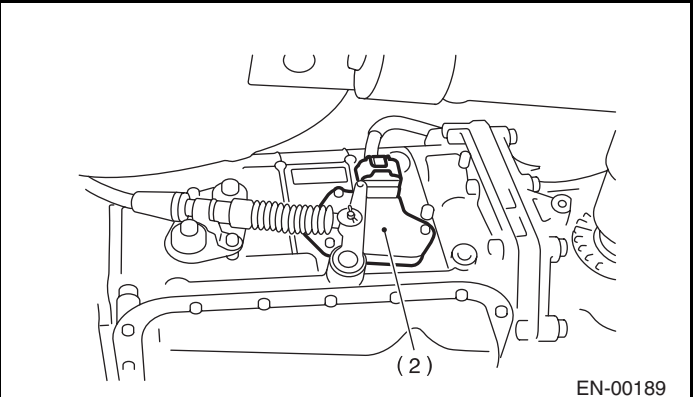
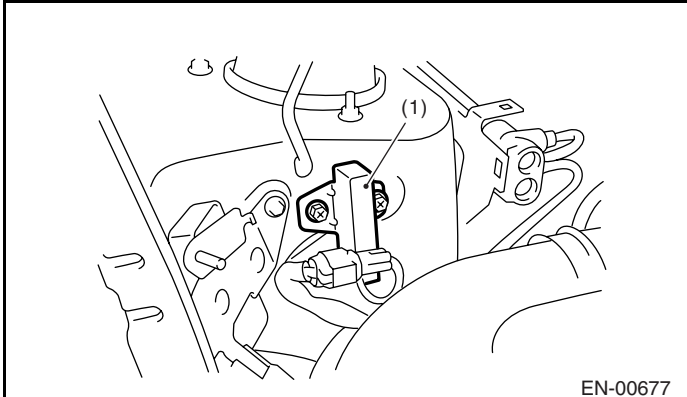
- (3) Front vehicle speed sensor (AT model)
- (4) Torque converter turbine speed sensor

- (5) ATF temperature sensor (AT model)
- (6) Brake light switch

ELECTRICAL COMPONENTS LOCATION

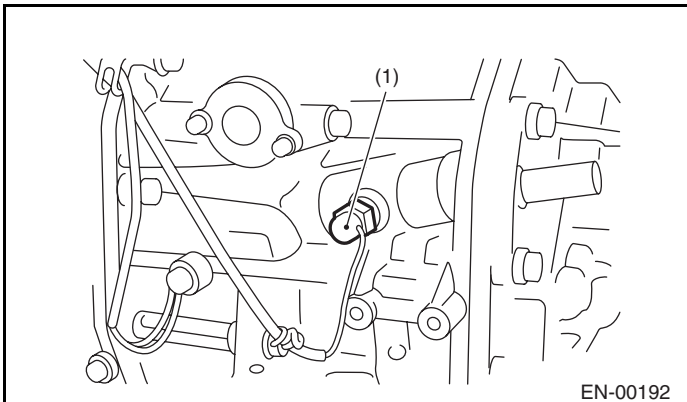
ENGINE (DIAGNOSTICS)

• SOLENOID VALVE AND SWITCH (AT MODEL)



- | | | |
|----------------------------|--------------------------------------|-------------------------------------|
| (1) Dropping resistor | (5) Line pressure duty solenoid | (8) 2-4 brake duty solenoid |
| (2) Inhibitor switch | (6) Low clutch timing solenoid valve | (9) 2-4 brake timing solenoid valve |
| (3) Shift solenoid valve 1 | (7) Lock up duty solenoid | (10) Transfer duty solenoid |
| (4) Shift solenoid valve 2 | | |

• SOLENOID VALVE AND SWITCH (MT MODEL)



- (1) Neutral position switch