

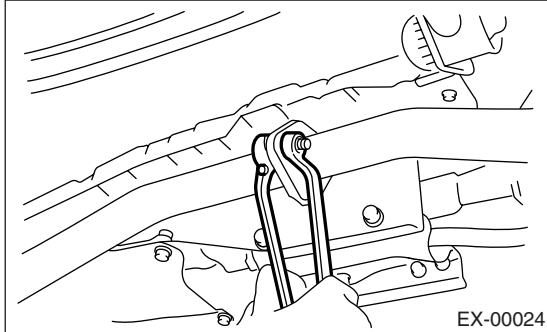
## 5. Muffler

### A: REMOVAL

1) Separate the muffler from rear exhaust pipe.

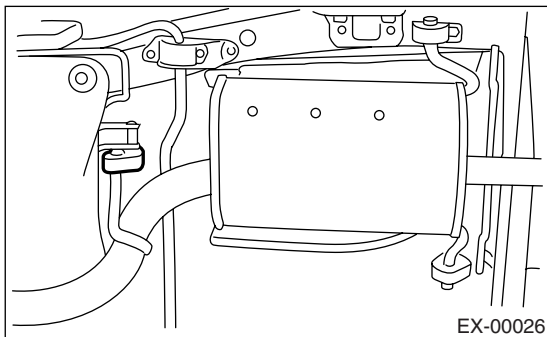
#### CAUTION:

**Be careful, the exhaust pipe is hot.**



2) Apply a coat of SUBARU CRC to mating area of the cushion rubbers in advance.

***SUBARU CRC (Part No. 004301003)***



3) Remove the front, right and left cushion rubber, and detach the muffler assembly.

### B: INSTALLATION

1) Install in the reverse order of removal.

#### NOTE:

- Replace the gasket and self-locking nuts with new ones.
- For tightening torque, refer to "COMPONENT".  
<Ref. to EX(H4SO)-2, COMPONENT, General Description.>

### C: INSPECTION

- 1) Make sure there are no exhaust leaks from connections and welds.
- 2) Make sure there are no holes or rusting.
- 3) Make sure the cushion rubber is not worn or cracked.

# MUFFLER

EXHAUST

---

EX(H4SO)-10