

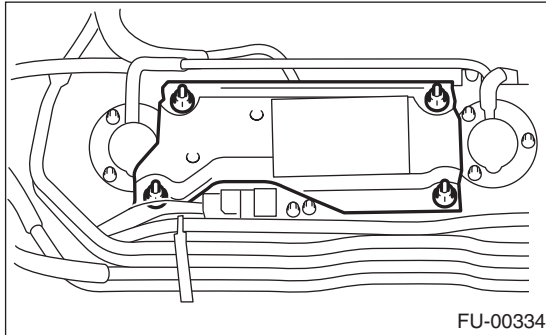
## 27. Fuel Cut Valve

### A: REMOVAL

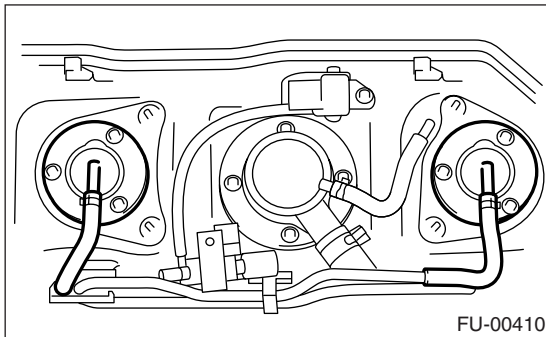
#### WARNING:

- Place “NO FIRE” signs near the working area.
- Be careful not to spill fuel on the floor.

- 1) Remove the fuel tank. <Ref. to FU(H4SO)-50, REMOVAL, Fuel Tank.>
- 2) Remove the protect cover.



- 3) Move the clip and disconnect the evaporation hose from the fuel cut valve.



- 4) Remove the bolts which install the fuel cut valve.

### B: INSTALLATION

Install in the reverse order of removal.

For the tightening torque, refer to “COMPONENT”.  
<Ref. to FU(H4SO)-3, COMPONENT, General Description.>