

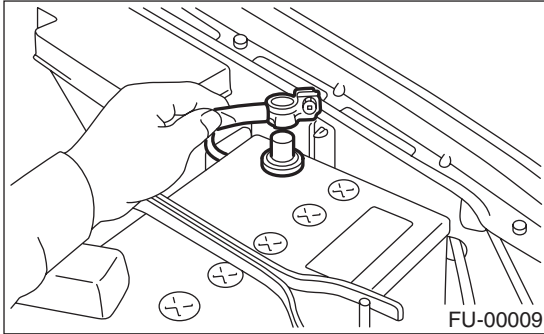
KNOCK SENSOR

FUEL INJECTION (FUEL SYSTEMS)

7. Knock Sensor

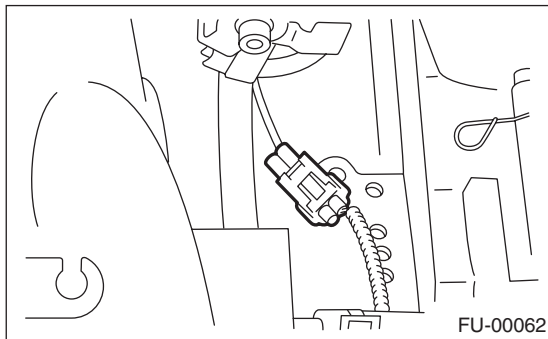
A: REMOVAL

1) Disconnect the ground cable from battery.

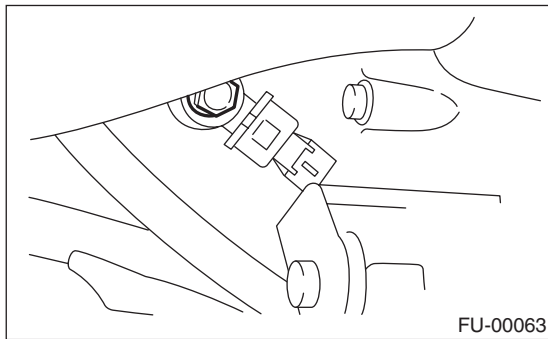


2) Remove the air cleaner case. <Ref. to IN(H4SO)-6, REMOVAL, Air Cleaner Case.>

3) Disconnect the knock sensor connector.



4) Remove the knock sensor from the cylinder block.



B: INSTALLATION

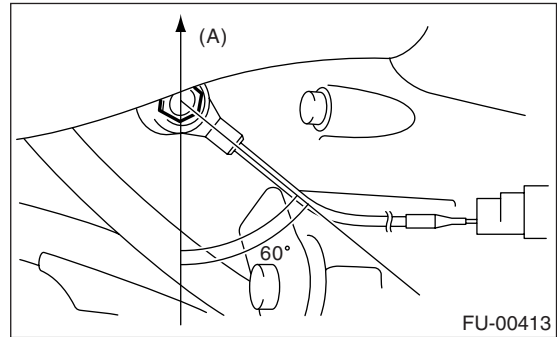
1) Install the knock sensor to the cylinder block.

Tightening torque:

24 N·m (2.4 kgf-m, 17.4 ft-lb)

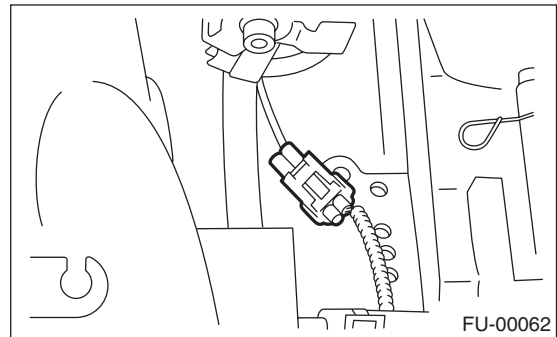
CAUTION:

The extraction area of the knock sensor cord must be positioned at a 60° angle relative to the engine rear.



(A) Front side

2) Connect the knock sensor connector.



3) Install the air cleaner case.

<Ref. to IN(H4SO)-6, REMOVAL, Air Cleaner Case.>

4) Connect the battery ground cable to battery.

