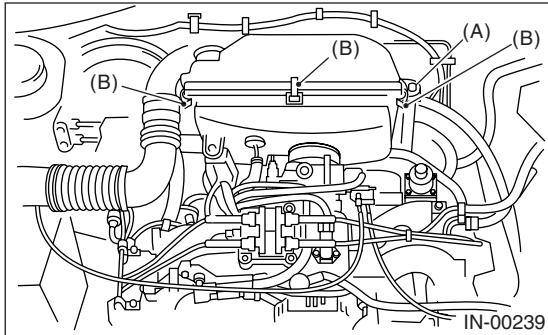


2. Air Cleaner Element

A: REMOVAL

- 1) Remove the air intake duct from air cleaner case.
- 2) Remove the bolt (A) which secures air cleaner case to stay.
- 3) Remove the clip (B) above the air cleaner case.



- 4) Remove the air cleaner element.

B: INSTALLATION

Install in the reverse order of removal.

NOTE:

- Fasten with a clip after inserting the lower tab of the case.
- For tightening torque, refer to "COMPONENT".
<Ref. to IN(H4SO)-2, COMPONENT, General Description.>

C: INSPECTION

Replace if excessively damaged or dirty.