

13. Inhibitor Switch

A: INSPECTION

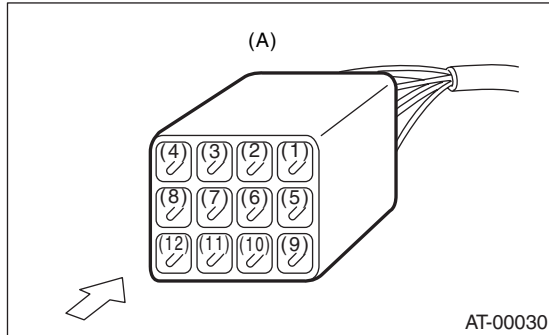
first check the shift linkage for improper operation. If the shift linkage is functioning properly, check the inhibitor switch.

- 1) Disconnect the inhibitor switch connector.
- 2) Check continuity in inhibitor switch circuits with the select lever moved to each position.

NOTE:

- Also check that continuity in ignition circuit does not exist when the select lever is in “R”, “D”, “3”, “2” and “1” ranges.
- If the inhibitor switch is inoperative, check for poor contact of connector on transmission side.

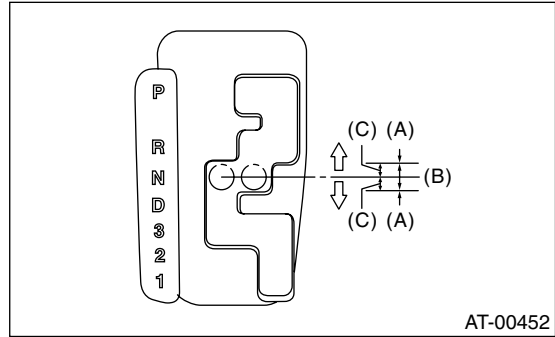
	Position	Pin No.
Signal sent to TCM	P	4 — 3
	R	4 — 2
	N	4 — 1
	D	4 — 8
	3	4 — 7
	2	4 — 6
	1	4 — 5
Ignition circuit	P/N	12 — 11
Back-up light circuit	R	10 — 9



(A) Inhibitor switch connector

- 3) Check if there is continuity at equal points when the select lever is tilted by 1.5° in both directions from “N” range.

If there is continuity in one direction and the continuity in the other or if there is continuity at unequal points, adjust the inhibitor switch. <Ref. to 4AT-49, ADJUSTMENT, Inhibitor Switch.>

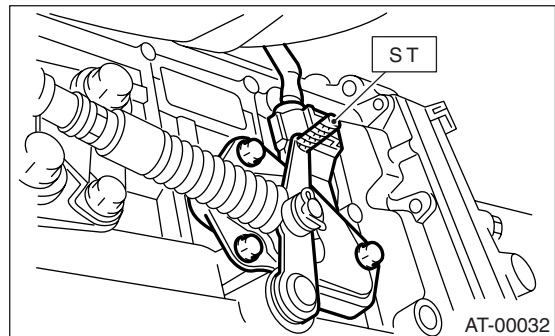


- (A) Continuity does not exist.
- (B) Continuity exists.
- (C) 1.5°

- 4) Repeat the above checks in another range. If there are abnormalities, adjust the select cable. <Ref. to CS-27, ADJUSTMENT, Select Cable.>

B: ADJUSTMENT

- 1) Shift the select lever to “N” range.
- 2) Loosen the three inhibitor switch assembly securing bolts.
- 3) Insert the ST as vertical as possible into the holes in inhibitor switch lever and switch body.
ST 499267300 STOPPER PIN



- 4) Tighten the three inhibitor switch assembly bolts.

Tightening torque:

3.4 N·m (0.35 kgf·m, 2.6 ft·lb)

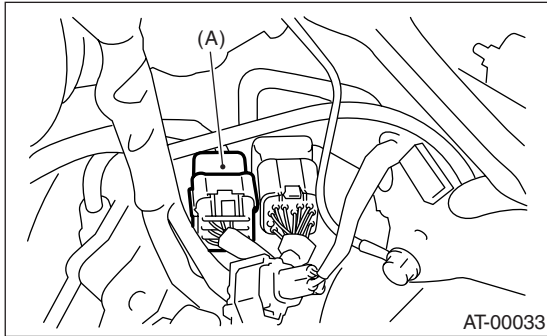
- 5) Repeat the above checks. If the inhibitor switch is determined to be “faulty”, replace it. <Ref. to 4AT-49, INSPECTION, Inhibitor Switch.>

INHIBITOR SWITCH

AUTOMATIC TRANSMISSION

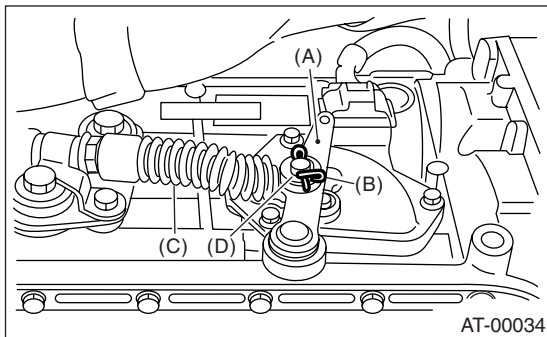
C: REMOVAL

- 1) Set up the vehicle on a lift.
- 2) Move the select lever to "N" range.
- 3) Remove the air cleaner case. (Non-turbo model)
<Ref. to IN(H4SO)-6, REMOVAL, Air Cleaner Case.>
- 4) Remove the intercooler. (Turbo model)
<Ref. to IN(H4DOTC)-10, REMOVAL, Intercooler.>
- 5) Disconnect the inhibitor switch connector.



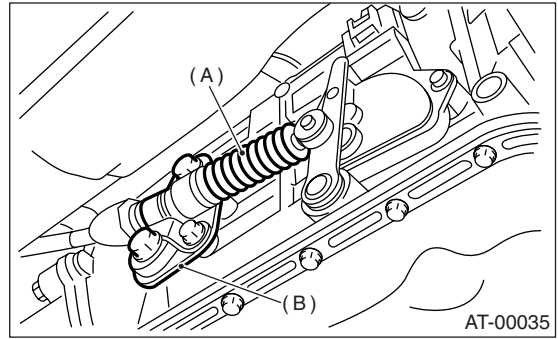
(A) Inhibitor switch

- 6) Remove the inhibitor switch connector from stay.
- 7) Lift-up the vehicle.
- 8) Remove the front and center exhaust pipes.
Non-turbo model
<Ref. to EX(H4SO)-4, REMOVAL, Front Exhaust Pipe.>
Turbo model
<Ref. to EX(H4DOTC)-8, REMOVAL, Center Exhaust Pipe.>
- 9) Remove the snap pin and washer from range select lever.



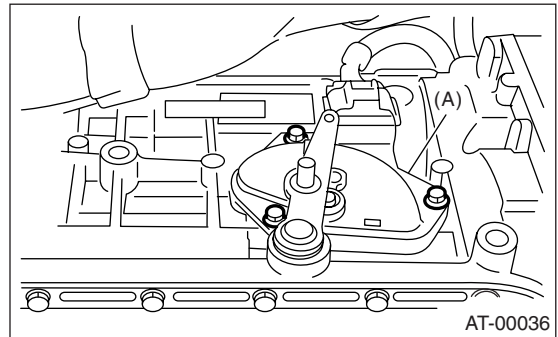
- (A) Range select lever
- (B) Snap pin
- (C) Select cable
- (D) Washer

- 10) Remove the plate assembly from transmission case.



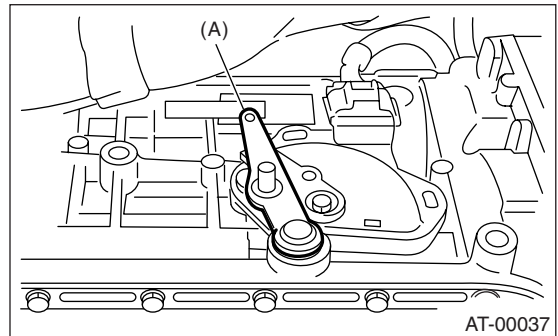
- (A) Select cable
- (B) Plate ASSY

- 11) Remove the bolts.



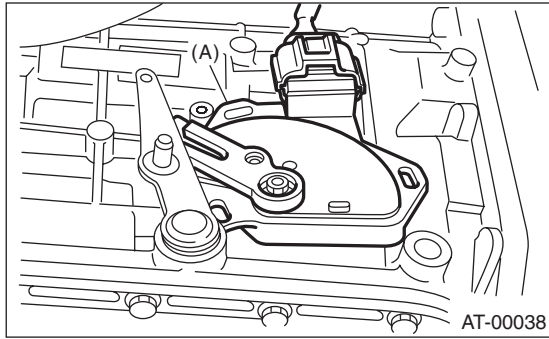
(A) Inhibitor switch

- 12) Move the range select lever to parking position (left side).



(A) Range select lever

- 13) Remove the inhibitor switch assembly from transmission.

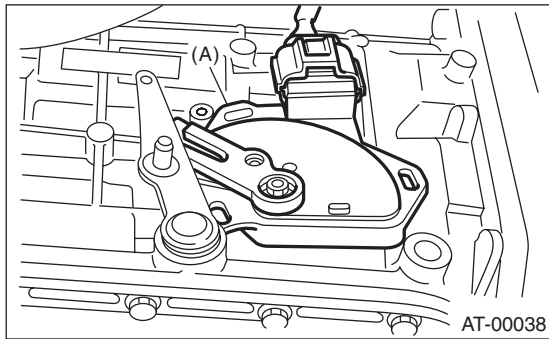


(A) Inhibitor switch ASSY

- 14) Disconnect the inhibitor switch harness connector from inhibitor switch.

D: INSTALLATION

- 1) Connect the inhibitor switch harness connector to inhibitor switch.
- 2) Install the inhibitor switch assembly to transmission case.

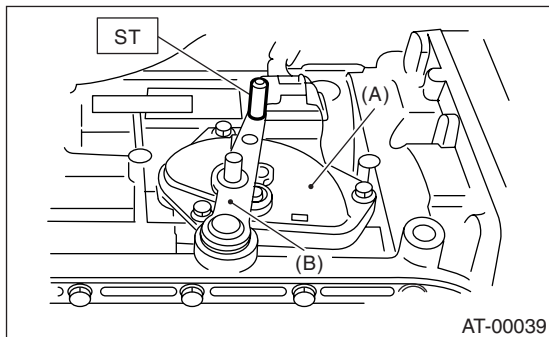


(A) Inhibitor switch ASSY

- 3) Move the range select lever to neutral position.
 - 4) Using the ST, tighten the bolts of inhibitor switch.
- ST 499267300 STOPPER PIN

Tightening torque:

3.4 N·m (0.36 kgf-m, 2.6 ft-lb)

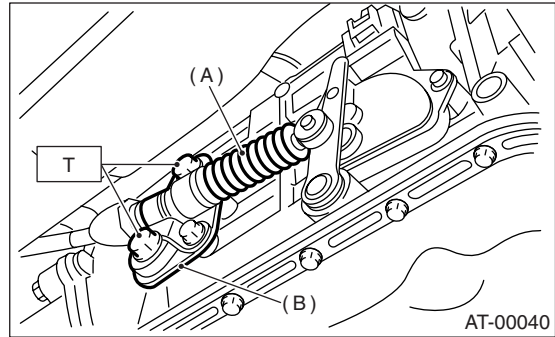


(A) Inhibitor switch ASSY
(B) Range select lever

- 5) Install the select cable to range select lever.
- 6) Install the plate assembly to transmission.

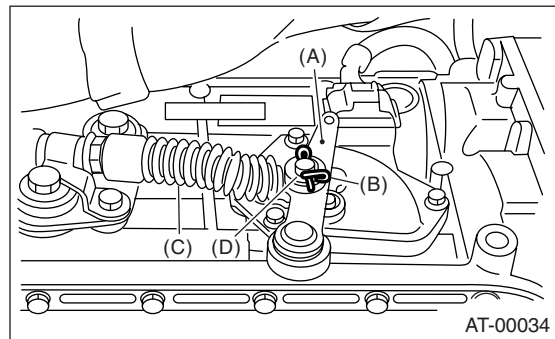
Tightening torque:

25 N·m (2.5 kgf-m, 18.1 ft-lb)



(A) Select cable
(B) Plate ASSY

- 7) Install the washer and snap pin to range select lever.



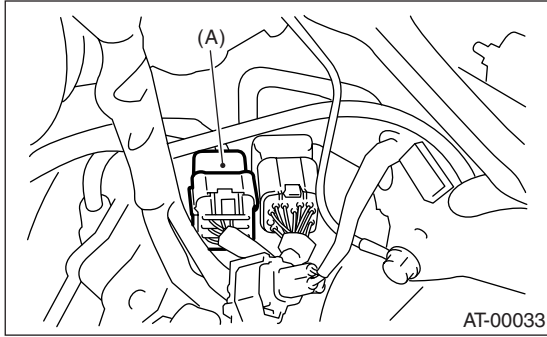
(A) Range select lever
(B) Snap pin
(C) Select cable
(D) Washer

- 8) Install the front and center exhaust pipes. (Non-turbo model) <Ref. to EX(H4SO)-5, INSTALLATION, Front Exhaust Pipe.>
- 9) Install the center exhaust pipe. (Turbo model) <Ref. to EX(H4DOTC)-9, INSTALLATION, Center Exhaust Pipe.>
- 10) Lower the vehicle.
- 11) Install the inhibitor switch connector from stay.

INHIBITOR SWITCH

AUTOMATIC TRANSMISSION

12) Connect the inhibitor switch connector.



(A) Inhibitor switch connector

13) Install the air cleaner case. (Non-turbo model)
<Ref. to IN(H4SO)-6, INSTALLATION, Air Cleaner Case.>

14) Install the intercooler. (Turbo model)
<Ref. to IN(H4DOTC)-11, INSTALLATION, Intercooler.>

15) Inspect the inhibitor switch. <Ref. to 4AT-49, INSPECTION, Inhibitor Switch.>