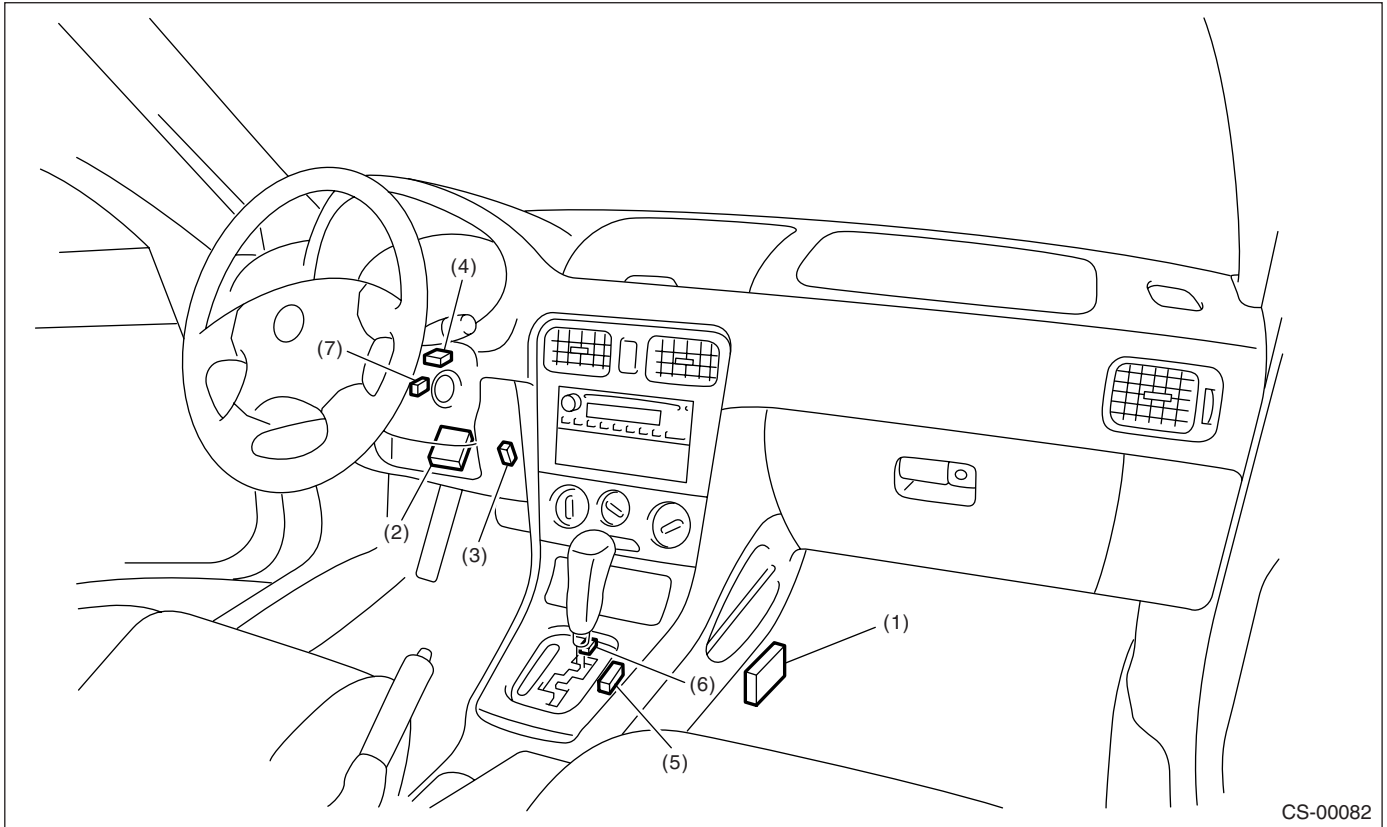


2. Electrical Component

A: LOCATION

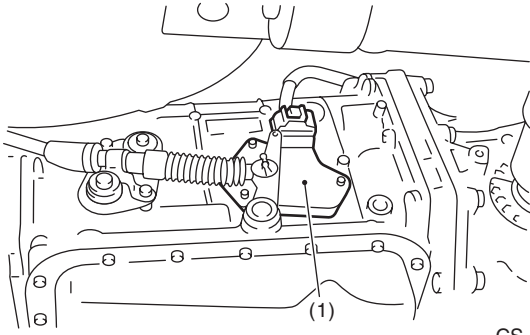


CS-00082

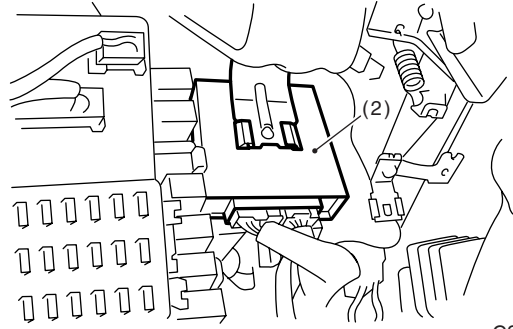
- | | | |
|--------------------------|-------------------------|-----------------------|
| (1) Inhibitor switch | (4) Key warning switch | (7) Key lock solenoid |
| (2) Body integrated unit | (5) Shift lock solenoid | |
| (3) Stop light switch | (6) "P" range switch | |

ELECTRICAL COMPONENT

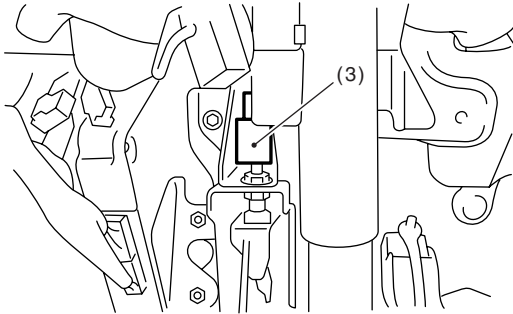
CONTROL SYSTEMS



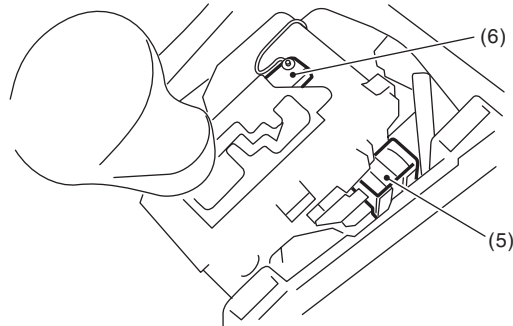
CS-00006



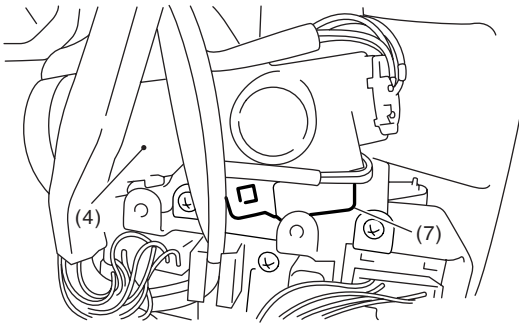
CS-00083



CS-00084



CS-00085



CS-00008

SUBARU.