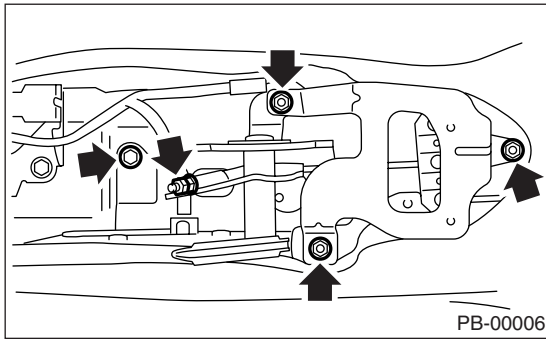


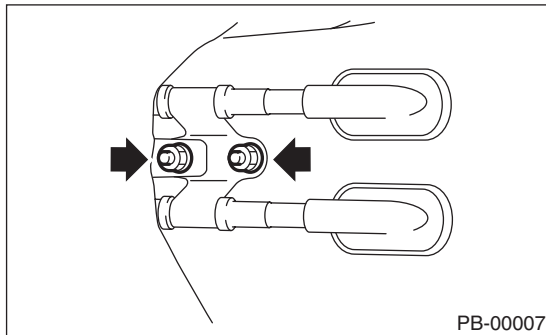
### 3. Parking Brake Cable

#### A: REMOVAL

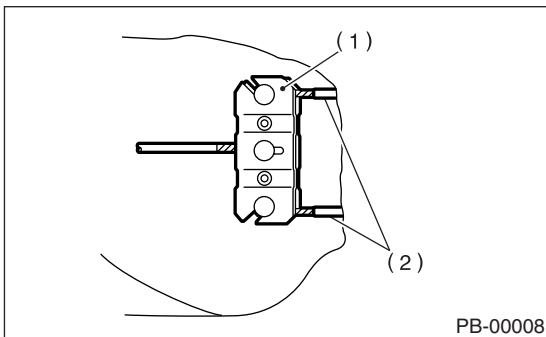
- 1) Lift-up the vehicle.
- 2) Remove the rear tires and wheels.
- 3) Remove the rear seat cushion.
- 4) Remove the console box.
- 5) Loosen the parking cable adjusting nut and console bracket.
- 6) Remove the parking brake lever.



- 7) Roll up the floor mat and remove clamps.



- 8) Remove the equalizer cover.
- 9) Remove the inner cable end from equalizer.



- (1) Equalizer
- (2) Inner cable end

- 10) Remove the parking brake cable from rear brake.

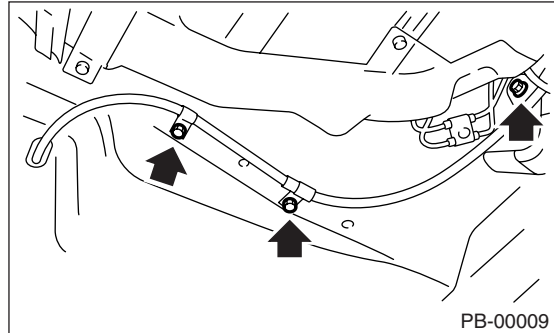
Disc brake

<Ref. to PB-8, REMOVAL, Parking Brake Assembly (Rear Disc Brake).>

Drum brake

<Ref. to BR-29, Rear Drum Brake Assembly.>

- 11) Remove the clamp from rear brake.
- 12) Remove the bolt and bracket from trailing link bracket.
- 13) Remove the bolt and clamp from rear floor.



- 14) Detach the grommet from rear floor.
- 15) Remove the cable assembly from cabin by forcibly pulling it backward.
- 16) Detach the parking brake cable from cable guide at rear trailing link.

#### B: INSTALLATION

- 1) Install the (new) parking brake assembly in the reverse order of removal.

NOTE:

Be sure to pass the cable through cable guide inside the tunnel.

- 2) Be sure to adjust the lever stroke. <Ref. to PB-6, ADJUSTMENT, Parking Brake Lever.>

#### C: INSPECTION

Check the removed cable and replace if damaged, rusty, or malfunctioning.

- 1) Check for smooth operation of the cable.
- 2) Check the inner cable for damage and rust.
- 3) Check the outer cable for damage, bends, and cracks.
- 4) Check the boot for damage, cracks, and deterioration.