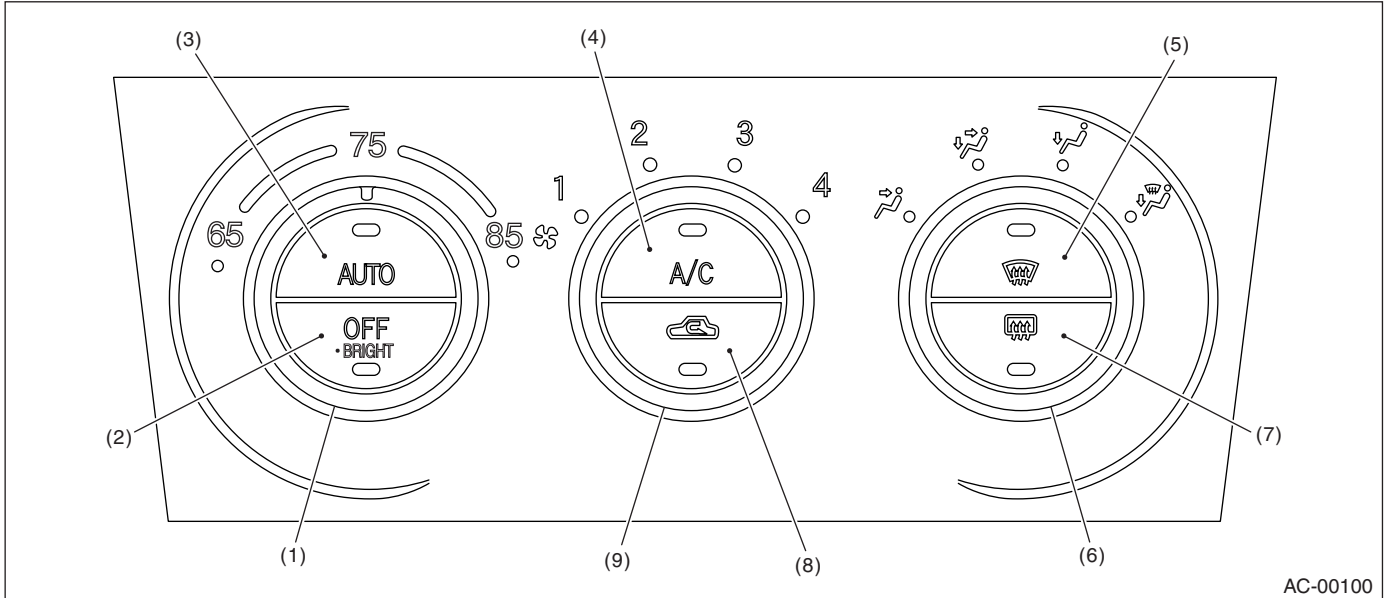


SELF-DIAGNOSIS

HVAC SYSTEM (AUTO A/C) (DIAGNOSTICS)

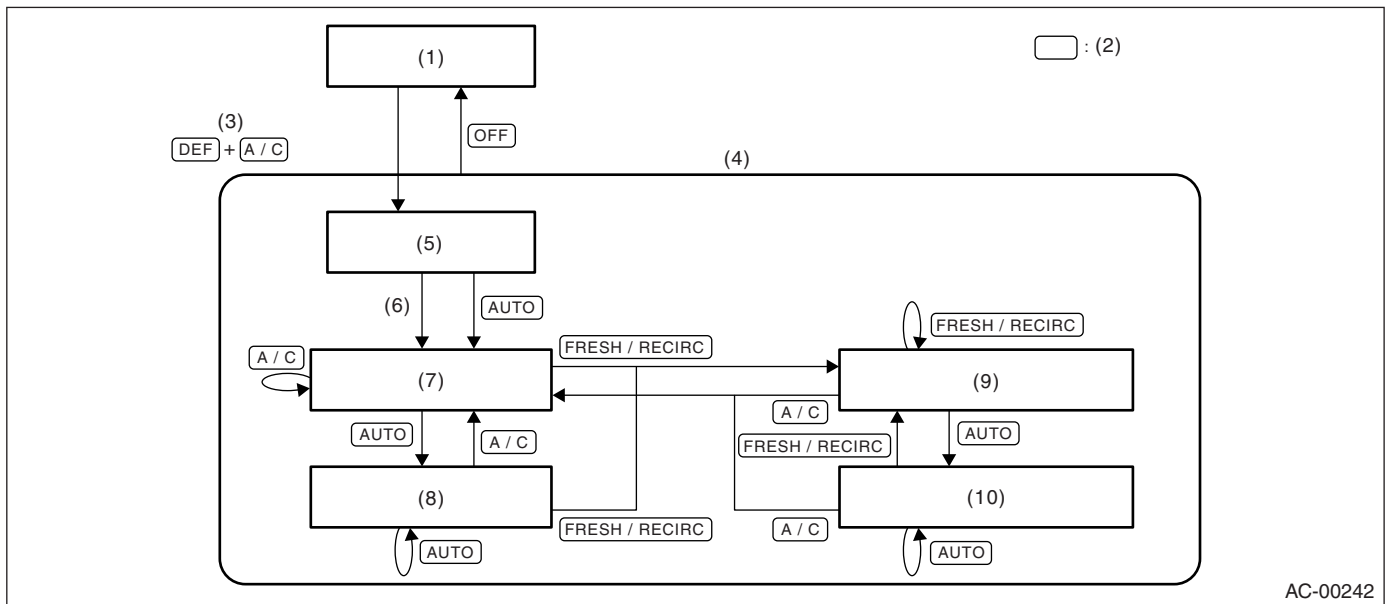
5. Self-diagnosis

A: OPERATION



AC-00100

- | | | |
|------------------------------|-----------------------|---------------------------------|
| (1) Temperature control dial | (4) A/C switch | (7) Rear window defogger switch |
| (2) OFF/BRIGHT switch | (5) DEF switch | (8) FRESH/RECIRC switch |
| (3) AUTO switch | (6) Mode control dial | (9) Fan speed control dial |



AC-00242

- | | | |
|---|---|---|
| (1) Normal Operation | (5) LED Display Check | (8) Sensor Check (Phased Operation) |
| (2) Switch | (6) After the LED display for approx. 20 seconds. | (9) Output Equipment Operation (Sequential Operation) |
| (3) Turn ignition switch on with pressing | (7) Sensor Check (Sequential Operation) | (10) Output Equipment Operation (Phased Operation) |
| (4) Self-diagnosis Function | | |

SELF-DIAGNOSIS

HVAC SYSTEM (AUTO A/C) (DIAGNOSTICS)

Step	Check	Yes	No
1 SELECT CONTROL PANEL TO SELF-DIAGNOSIS FUNCTION. Start the engine while pressing DEF switch and A/C switch.	Does the self-diagnosis function operate?	Go to step 2.	<Ref. to AC-13, A/C OR SELF-DIAGNOSIS FUNCTIONS DO NOT OPERATE, Diagnostics for A/C System Failure.>
2 CHECK LED ILLUMINATION. Make sure that three LED blink in turn on control panel. (5 patterns are repeated 2 times.)	Do all LED blink?	Go to step 3.	Go to step 5.
3 CHECK SENSORS MALFUNCTION. 1) After the LED check completed or AUTO switch pressed, the A/C switch LED illuminates, and then the sensor check is started. 2) Check the input signal of each sensor in turn. If there are any trouble for each sensor, DEF, MODE and fan speed LEDs blinks. Also check for each sensor is possible respectively every time AUTO switch is pressed. (At this time, the AUTO switch LED illuminates.) <Ref. to AC-12, SENSOR CHECK TABLE, OPERATION, Self-diagnosis.> 3) If there is no trouble, DEF, MODE and fan speed LEDs are turned off. NOTE: Rear window defogger LED illuminates in case of stored malfunction but does not illuminate in case of present malfunction.	Does each DEF, MODE and fan speed LED turn off?	Go to step 4.	Confirm the combination of illuminating LEDs by using Sensor Check Table, and identify the malfunctioning sensor before repairing. <Ref. to AC-12, SENSOR CHECK TABLE, OPERATION, Self-diagnosis.>
4 CHECK OPERATION OF EACH ACTUATOR, COMPRESSOR AND FAN MOTOR. 1) Press the FRESH/RECIRC switch. (FRESH/RECIRC switch LED illuminates at this time.) 2) Refer to OPERATING MODE TABLE to check the operation of each actuator, compressor and fan motor. <Ref. to AC-12, OPERATING MODE TABLE, OPERATION, Self-diagnosis.> Also check for each step is possible respectively every time AUTO switch pressed. (At this time, the AUTO switch LED illuminates.)	Does each actuator, compressor and fan motor operate according to operating mode table?	Press the OFF switch or turn the ignition switch to OFF and finish the self-diagnosis function.	Refer to each diagnostics chart for actuator, compressor and fan motor, and repair the malfunctioning part as necessary.
5 CHECK POOR CONTACT. Check the A/C control module connector for poor contact.	Is there a poor contact in connector?	Repair the connector.	Replace the A/C control module.

SELF-DIAGNOSIS

HVAC SYSTEM (AUTO A/C) (DIAGNOSTICS)

1. SENSOR CHECK TABLE

NOTE:

When the sunload sensor is checked indoors or in the shade, open circuit might be indicated. Always check the sunload sensor at a place where sun shines directly on it.

Diagnostic steps	Checked sensor	Open circuit		Short circuit		Present malfunction	Stored malfunction
		DEF LED	MODE/FAN LED	DEF LED	MODE/FAN LED	REAR DEFOGGER LED	
1	In-vehicle sensor	Turn off	VENT LED blinks	Illuminate	VENT LED blinks	Turn off	Illuminate
2	Ambient sensor		BI-LEVEL LED blinks		BI-LEVEL LED blinks		
3	Evaporator sensor		HEAT LED blinks		HEAT LED blinks		
4	Sunload sensor*1		DEF/HEAT LED blinks		DEF/HEAT LED blinks		
5	Air mix door actuator P.B.R.		Fan speed 1st LED blinks		Fan speed 1st LED blinks		
6	Combination meter communication (Ambient sensor)		Fan speed 2nd LED blinks		Fan speed 2nd LED blinks		
	When all parts are in good condition	Turn off					

*1: Only present malfunction is indicated for open circuit of sunload sensor. (However, stored malfunction can be indicated for short circuit of sunload sensor.)

2. OPERATING MODE TABLE

Step	1	2	3	4	5	6	7	8
Illuminating LED	VENT LED	BI-LEVEL VENT	HEAT LED	DEF/HEAT LED	Fan dial 1st LED	Fan dial 2nd LED	Fan dial 3rd LED	Fan dial 4th LED
Fan dial	LO	LO	ML	ML	ML	MH	MH	HI
Mode actuator	VENT	VENT	VENT	BI-LEVEL	HEAT	HEAT	DEF/HEAT	DEF
Intake actuator	FRESH	RECIRC	RECIRC	FRESH	FRESH	FRESH	FRESH	FRESH
Air mix door actuator (%)	FULL COOL (0%)	FULL COOL (0%)	FULL COOL (0%)	MEDIUM (50%)	MEDIUM (50%)	FULL HOT (100%)	FULL HOT (100%)	FULL HOT (100%)
Compressor	OFF	ON	ON	ON	ON	ON	ON	ON