

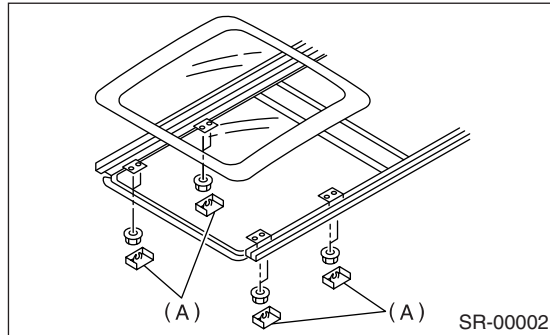
# SUNROOF LID

SUNROOF/T-TOP/CONVERTIBLE TOP (SUNROOF)

## 3. Sunroof Lid

### A: REMOVAL

- 1) Completely close sunroof lid and open sunshade.
- 2) Detach the four covers (A) and then remove eight nuts.



- 3) Carefully remove sunroof lid.

### B: INSTALLATION

Install in the reverse order of removal.

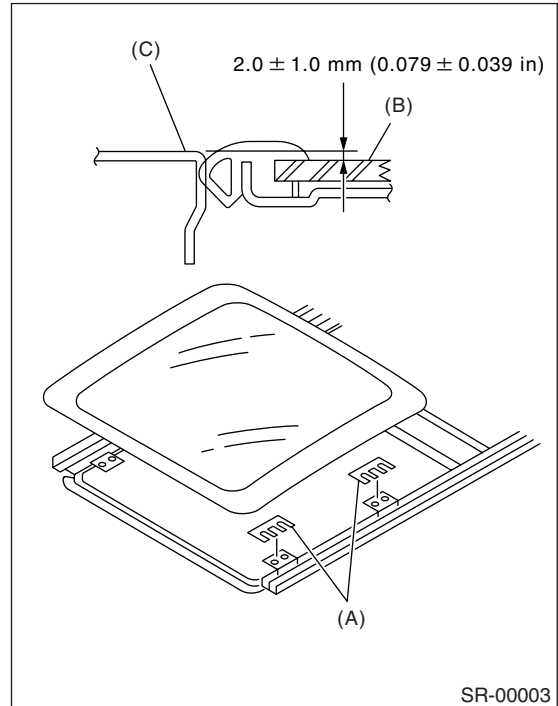
## C: ADJUSTMENT

### 1. ALIGNMENT OF HEIGHT BETWEEN SUNROOF LID AND ROOF PANEL

Loosen sunroof lid nuts and then adjust height by adding (max: four pieces) or extracting (min: zero piece) shims (standard: two pieces) between sunroof lid and roof panel.

***Difference in height between sunroof lid and roof panel***

***2.0±1.0 mm (0.079±0.039 in)***



- (A) Shim
- (B) Sunroof lid
- (C) Roof panel