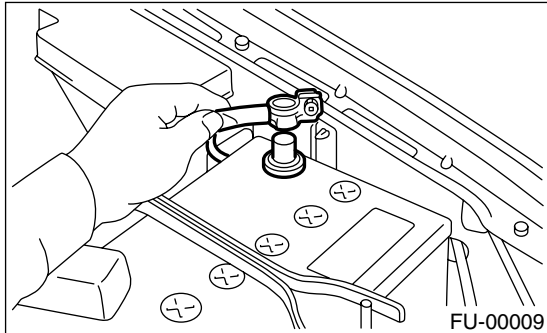


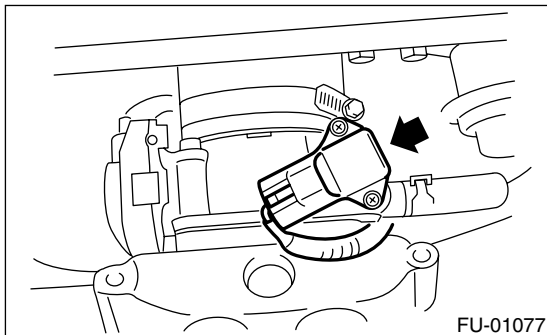
## 9. Manifold Absolute Pressure Sensor

### A: REMOVAL

1) Disconnect the ground cable from battery.



2) Disconnect the connectors from manifold absolute pressure sensor.



3) Remove the manifold absolute pressure sensor from the throttle body.

### B: INSTALLATION

Install in the reverse order of removal.

#### NOTE:

Replace the O-rings for the manifold absolute pressure sensor with new ones.

#### *Tightening torque:*

**1.6 N-m (0.16 kgf-m, 1.2 ft-lb)**