

FUEL SUB LEVEL SENSOR

FUEL INJECTION (FUEL SYSTEMS)

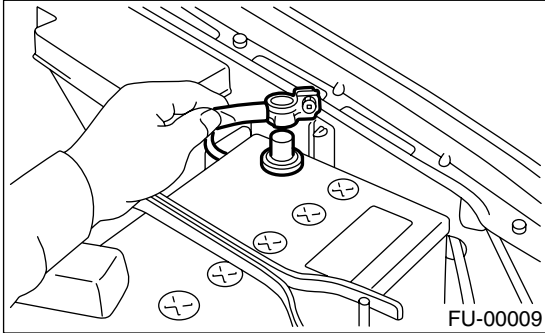
25. Fuel Sub Level Sensor

A: REMOVAL

WARNING:

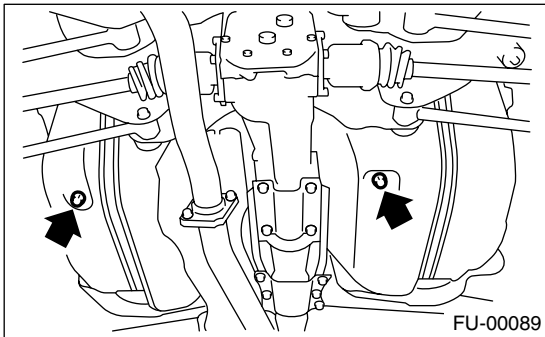
- Place "NO FIRE" signs near the working area.
- Be careful not to spill the fuel.

1) Disconnect the ground cable from battery.



2) Lift-up the vehicle.

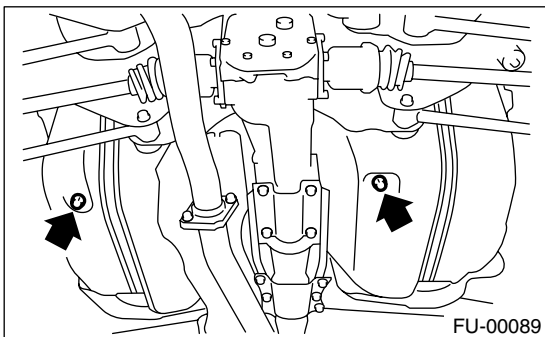
3) Drain the fuel from the fuel tank. Set a container under the vehicle and remove the drain plug from fuel tank.



4) Tighten the fuel drain plug.

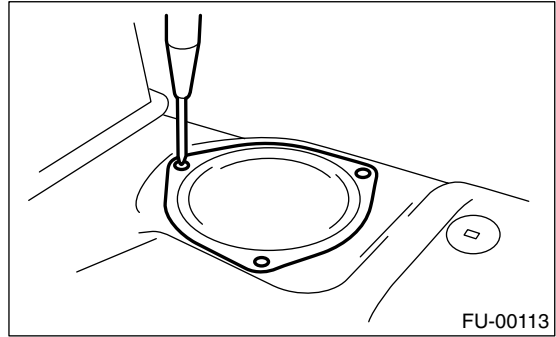
Tightening torque:

26 N·m (2.65 kgf·m, 19.2 ft·lb)



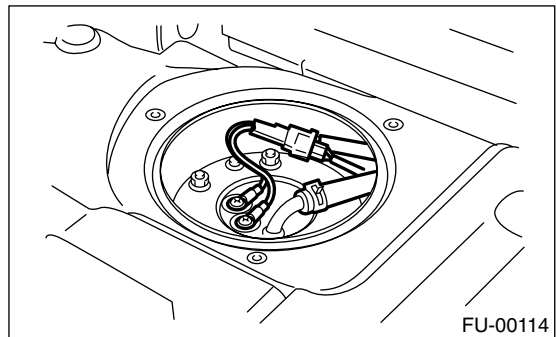
5) Remove the rear seat.

6) Remove the service hole cover.

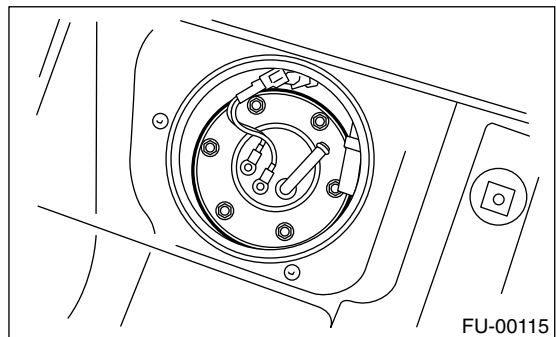


7) Disconnect the connector from the fuel sub level sensor.

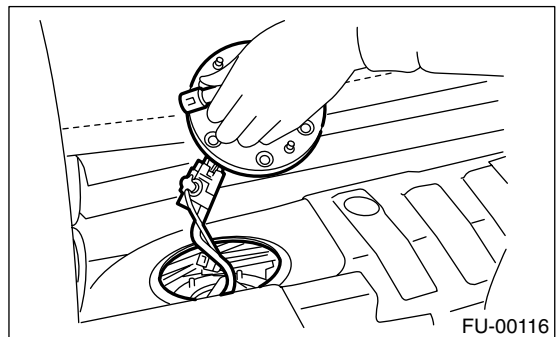
8) Disconnect the fuel jet pump hose.



9) Remove the bolts which install the fuel sub level sensor on fuel tank.



10) Remove the fuel sub level sensor.



FUEL SUB LEVEL SENSOR

FUEL INJECTION (FUEL SYSTEMS)

B: INSTALLATION

Install in the reverse order of removal.

Tightening torque:

4.4 N·m (0.45 kgf-m, 3.3 ft-lb)

