

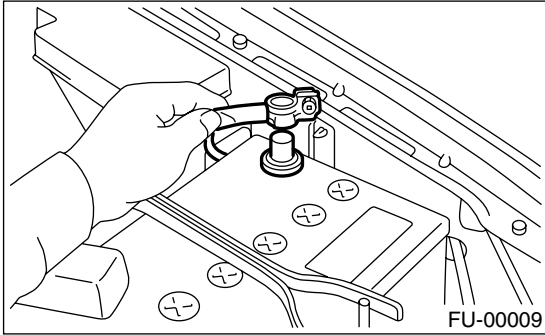
DRAIN FILTER

EMISSION CONTROL (AUX. EMISSION CONTROL DEVICES)

12. Drain Filter

A: REMOVAL

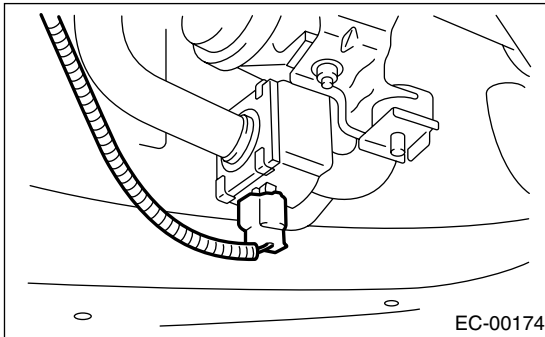
1) Disconnect the ground terminal from battery.



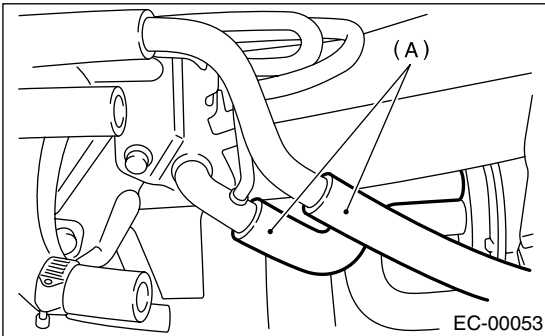
2) Lift-up the vehicle.

3) Remove the canister. <Ref. to EC(STi)-5, REMOVAL, Canister.>

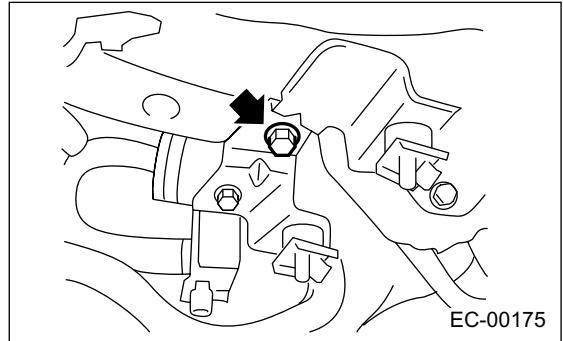
4) Disconnect the connector from drain valve.



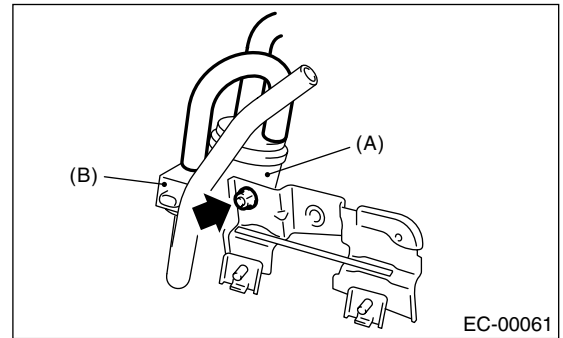
5) Disconnect the evaporation hoses (A) from joint pipes.



6) Remove the bolt which installs the drain filter and drain valve brackets on body, and remove them as a unit.



7) Disconnect the evaporation hoses, and remove the drain filter from the bracket.



- (A) Drain filter
- (B) Drain valve

DRAIN FILTER

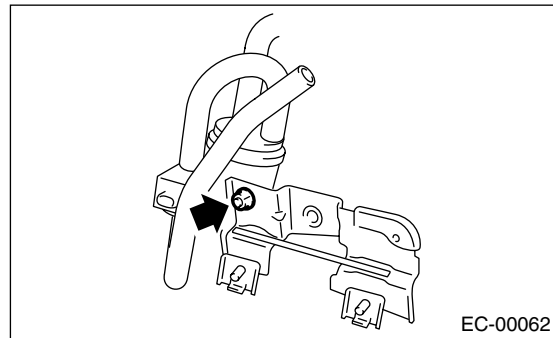
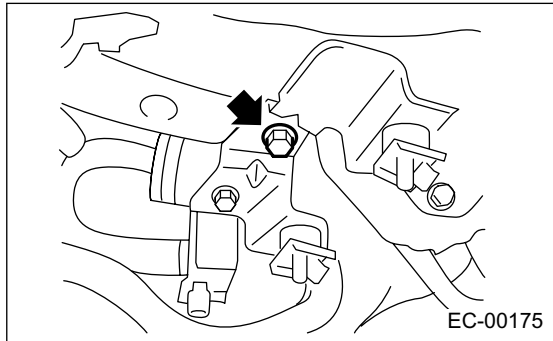
EMISSION CONTROL (AUX. EMISSION CONTROL DEVICES)

B: INSTALLATION

Install in the reverse order of removal.

Tightening torque:

23 N·m (2.3 kgf·m, 17 ft·lb)



C: INSPECTION

- 1) Make sure all hoses are installed correctly.
- 2) Make sure the hoses are not cracked or loose.