

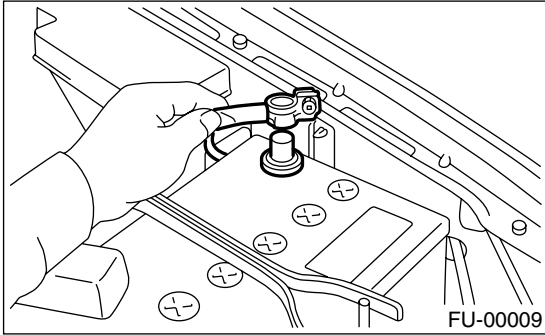
DRAIN VALVE

EMISSION CONTROL (AUX. EMISSION CONTROL DEVICES)

15. Drain Valve

A: REMOVAL

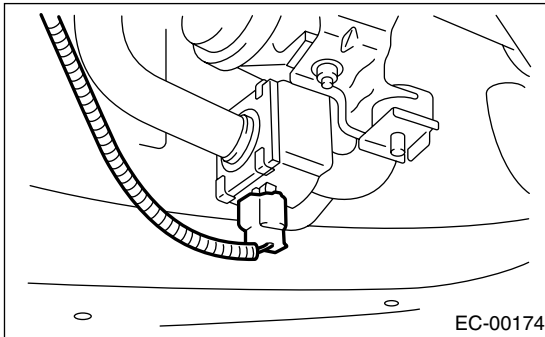
1) Disconnect the ground terminal from battery.



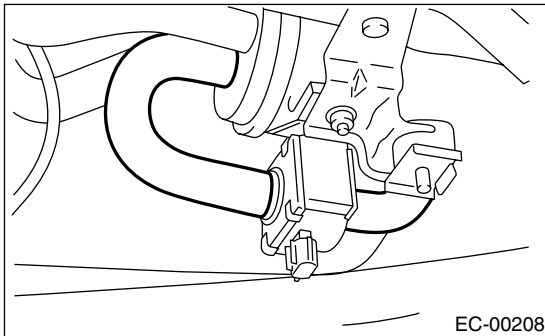
2) Lift-up the vehicle.

3) Remove the canister. <Ref. to EC(STi)-5, REMOVAL, Canister.>

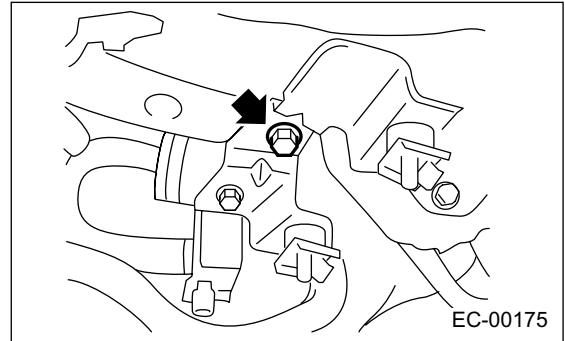
4) Disconnect the connector from drain valve.



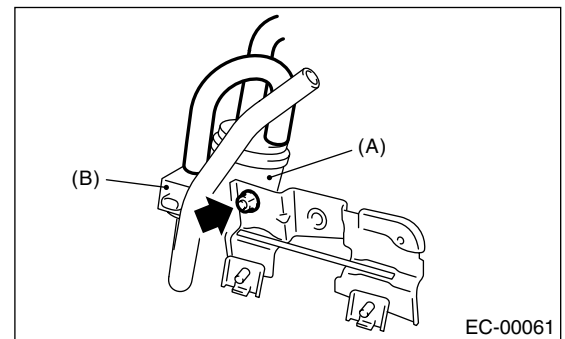
5) Disconnect the evaporation hoses from drain valve.



6) Remove the bolt which installs the drain filter and drain valve brackets on body, and remove them as a unit.



7) Remove the drain valve from bracket.



- (A) Drain filter
- (B) Drain valve

DRAIN VALVE

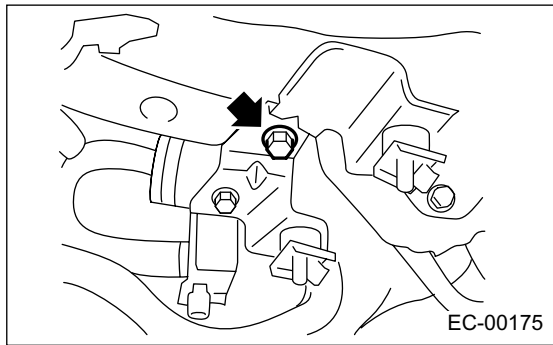
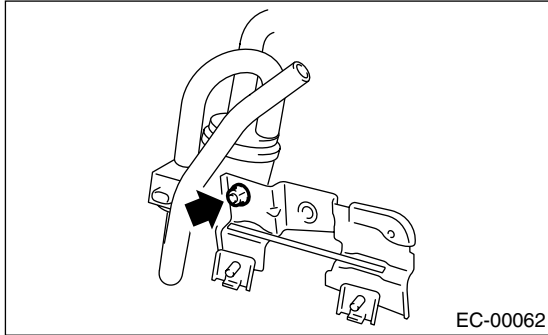
EMISSION CONTROL (AUX. EMISSION CONTROL DEVICES)

B: INSTALLATION

Install in the reverse order of removal.

Tightening torque:

23 N·m (2.3 kgf-m, 17 ft-lb)



C: INSPECTION

- 1) Make sure all hoses are installed correctly.
- 2) Make sure the hoses are not cracked or loose.