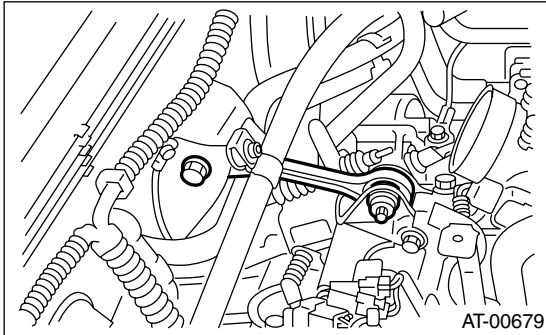


18. Transfer Duty Solenoid and Valve Body

A: REMOVAL

- 1) Set the vehicle on a lift.
- 2) Disconnect the ground cable from battery.
- 3) Remove the air cleaner case. (Non-turbo model)
<Ref. to IN(H4SO)-5, REMOVAL, Air Cleaner Case.>
- 4) Remove the intercooler. (Turbo model)
<Ref. to IN(H4DOTC)-10, REMOVAL, Intercooler.>
- 5) Remove the pitching stopper.



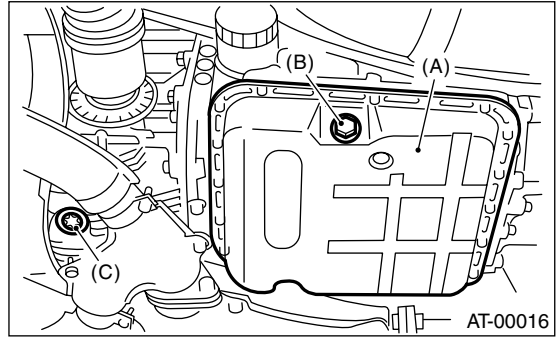
- 6) Remove the front exhaust pipe with center exhaust pipe. (Non-turbo model)
<Ref. to EX(H4SO)-4, REMOVAL, Front Exhaust Pipe.>

- 7) Remove the center exhaust pipe. (Turbo model)
<Ref. to EX(H4DOTC)-8, REMOVAL, Center Exhaust Pipe.>

- 8) Remove the rear exhaust pipe and muffler.
Non-turbo model
<Ref. to EX(H4SO)-8, REMOVAL, Rear Exhaust Pipe.> and <Ref. to EX(H4SO)-9, REMOVAL, Muffler.>

- Turbo model
<Ref. to EX(H4DOTC)-13, REMOVAL, Rear Exhaust Pipe.> and <Ref. to EX(H4DOTC)-14, REMOVAL, Muffler.>

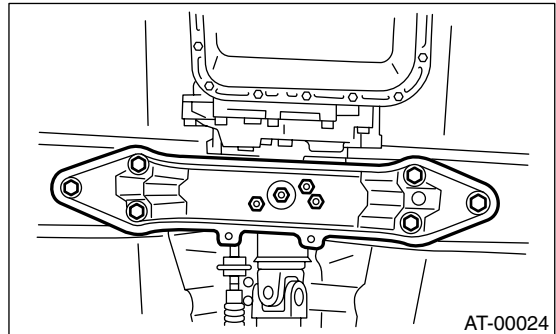
- 9) Raise the vehicle and drain the ATF.



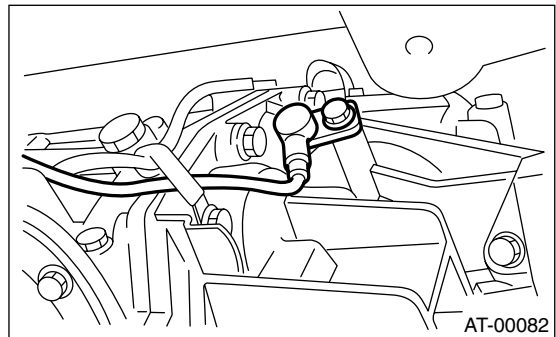
- (A) Oil pan
- (B) Drain plug
- (C) Differential oil drain plug

- 10) Remove the heat shield cover. (If equipped)
- 11) Remove the propeller shaft. <Ref. to DS-14, REMOVAL, Propeller Shaft.>

- 12) Remove the transmission rear crossmember.
 - (1) Support the transmission using a transmission jack and raise it slightly.
 - (2) Remove the bolts and nuts as shown in the figure.



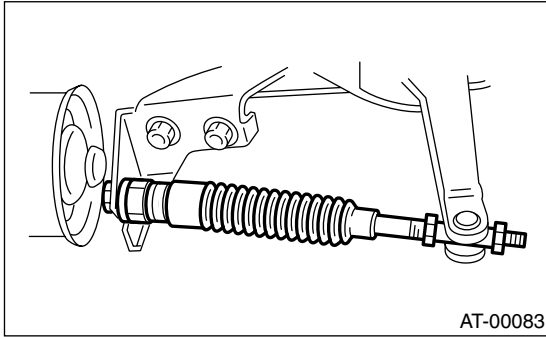
- 13) Remove the rear vehicle speed sensor.



TRANSFER DUTY SOLENOID AND VALVE BODY

AUTOMATIC TRANSMISSION

14) Remove the select cable nut.



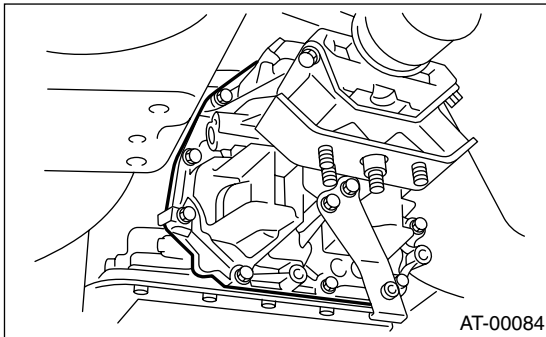
15) Move the gear select cable so that extension bolts can be removed.

16) Remove the bolts.

17) Remove the extension case.

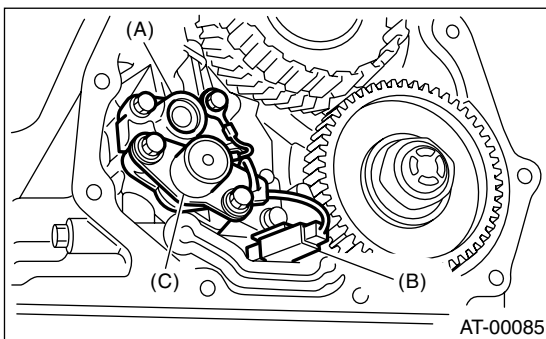
NOTE:

Use a container to catch oil flowing from extension.



18) Disconnect the transfer duty solenoid connector.

19) Remove the transfer duty solenoid and transfer valve body.



- (A) Transfer valve body
- (B) Transfer duty solenoid connector
- (C) Transfer duty solenoid

B: INSTALLATION

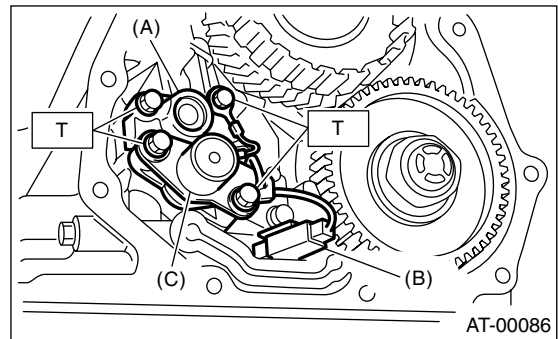
1) Install the transfer duty solenoid and transfer valve body.

(1) Install the transfer duty solenoid and transfer valve body.

Tightening torque:

T: 8 N·m (0.8 kgf-m, 5.8 ft-lb)

(2) Connect the transfer duty solenoid connector.



- (A) Transfer valve body
- (B) Transfer duty solenoid connector
- (C) Transfer duty solenoid

2) Install a new gasket and the extension case to transmission case.

(1) Tighten eleven bolts.

Tightening torque:

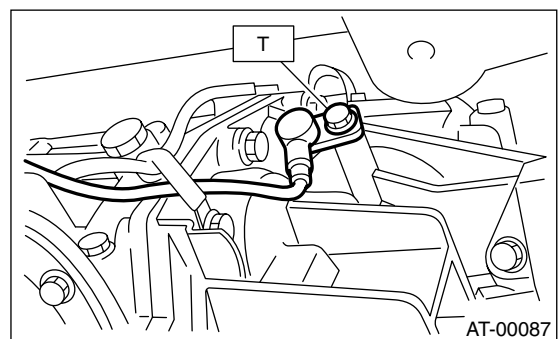
25 N·m (2.5 kgf-m, 18.1 ft-lb)

(2) Adjust the select cable. <Ref. to CS-28, ADJUSTMENT, Select Cable.>

3) Install the rear vehicle speed sensor.

Tightening torque:

T: 7 N·m (0.7 kgf-m, 5.1 ft-lb)



TRANSFER DUTY SOLENOID AND VALVE BODY

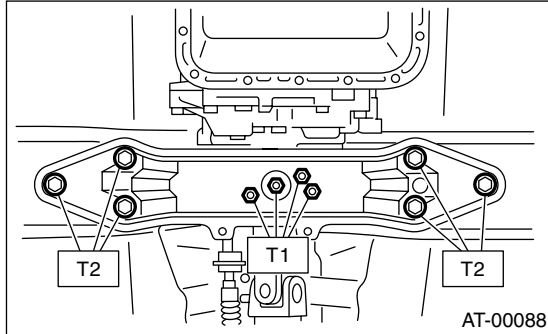
AUTOMATIC TRANSMISSION

- 4) Install the transmission rear crossmember.
(1) Tighten the bolts.

Tightening torque:

T1: 35 N·m (3.6 kgf-m, 26 ft-lb)

T2: 70 N·m (7.1 kgf-m, 51 ft-lb)



- (2) Remove the transmission jack.

5) Install the propeller shaft. <Ref. to DS-15, INSTALLATION, Propeller Shaft.>

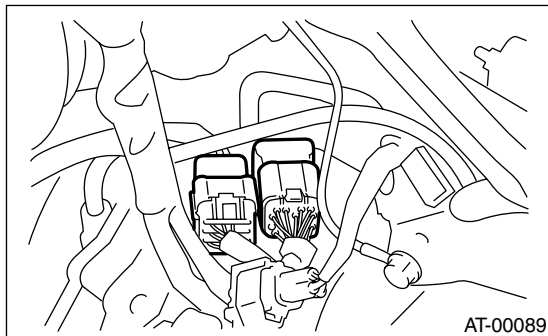
6) Install the front, center rear exhaust pipe and muffler. (Non-turbo model)

<Ref. to EX(H4SO)-5, INSTALLATION, Front Exhaust Pipe.>, <Ref. to EX(H4SO)-8, INSTALLATION, Rear Exhaust Pipe.> and <Ref. to EX(H4SO)-9, INSTALLATION, Muffler.>

7) Install center and rear exhaust pipes, and muffler. (Turbo model)

<Ref. to EX(H4DOTC)-9, INSTALLATION, Center Exhaust Pipe.>, <Ref. to EX(H4DOTC)-13, INSTALLATION, Rear Exhaust Pipe.> and <Ref. to EX(H4DOTC)-14, INSTALLATION, Muffler.>

8) Connect the transmission harness connector.

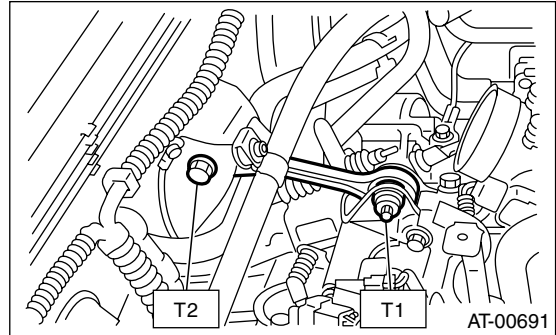


- 9) Install the pitching stopper.

Tightening torque:

T1: 50 N·m (5.1 kgf-m, 37 ft-lb)

T2: 58 N·m (5.9 kgf-m, 43 ft-lb)



10) Install the air cleaner case. (Non-turbo model)
<Ref. to IN(H4SO)-5, INSTALLATION, Air Cleaner Case.>

11) Install intercooler. (Turbo model)
<Ref. to IN(H4DOTC)-10, INSTALLATION, Intercooler.>

12) Fill ATF up to the middle of the "COLD" side on level gauge by using the gauge hole. <Ref. to 4AT-29, Automatic Transmission Fluid.>

13) Check the ATF level. <Ref. to 4AT-29, Automatic Transmission Fluid.>