

31.Reduction Drive Gear

A: REMOVAL

1) Remove the transmission assembly from the vehicle. <Ref. to 4AT-36, REMOVAL, Automatic Transmission Assembly.>

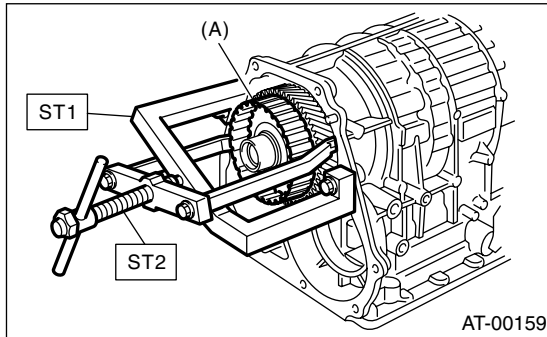
2) Remove rear vehicle speed sensor, and separate the transmission case and extension case. <Ref. to 4AT-75, REMOVAL, Extension Case.>

3) Remove the reduction driven gear. <Ref. to 4AT-87, REMOVAL, Reduction Driven Gear.>

4) Using ST, extract the reduction drive gear.

ST1 499737000 PULLER

ST2 899524100 PULLER SET



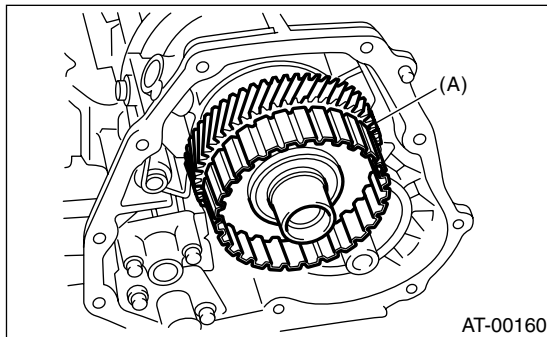
(A) Reduction drive gear

B: INSTALLATION

1) Install the reduction drive gear assembly.

NOTE:

Insert it fully into position until the bearing shoulder bottoms.



(A) Reduction drive gear

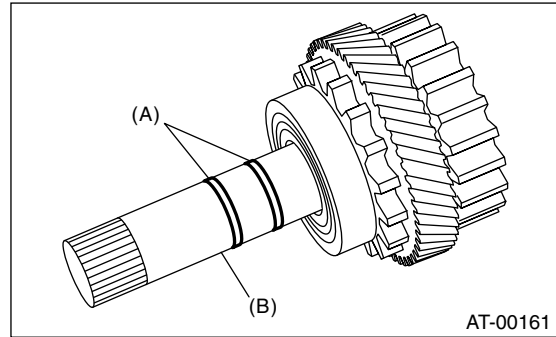
2) Install the reduction driven gear. <Ref. to 4AT-87, INSTALLATION, Reduction Driven Gear.>

3) Combine the transmission case with the extension case, and install rear vehicle speed sensor. <Ref. to 4AT-75, INSTALLATION, Extension Case.>

4) Install the transmission assembly to the vehicle. <Ref. to 4AT-38, INSTALLATION, Automatic Transmission Assembly.>

C: DISASSEMBLY

1) Take out the seal rings.

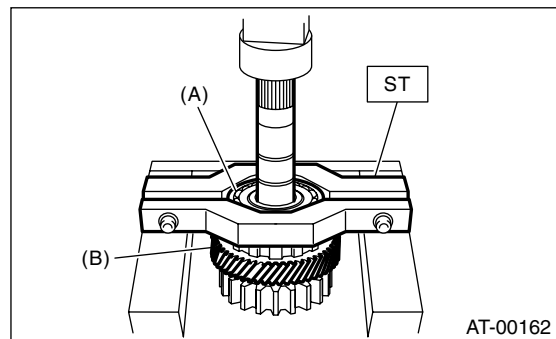


(A) Seal rings

(B) Reduction drive shaft

2) Using ST, remove the ball bearing.

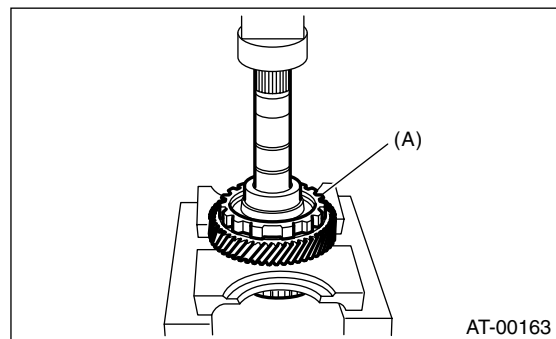
ST 498077600 REMOVER



(A) Ball bearing

(B) Reduction drive gear

3) Using a press, remove the reduction drive gear.



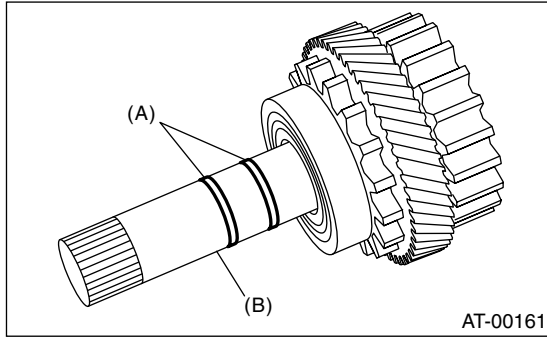
(A) Reduction drive gear

REDUCTION DRIVE GEAR

AUTOMATIC TRANSMISSION

D: ASSEMBLY

- 1) Press-fit the reduction drive gear to the shaft.
- 2) Press-fit a new ball bearing to the reduction drive gear.
- 3) Apply vaseline to the outer surface of seal ring and shaft groove.
- 4) Attach a new seal rings.



- (A) Seal rings
(B) Reduction drive shaft

E: INSPECTION

- Rotate the bearing by hand, make sure it rotates smoothly.
- Make sure that each component is free of harmful gouges, cuts, or dust.
- Measure the extension end play and adjust it to within specifications.<Ref. to 4AT-82, ADJUSTMENT, Transfer Clutch.>