

SWITCHES AND HARNESS

MANUAL TRANSMISSION AND DIFFERENTIAL

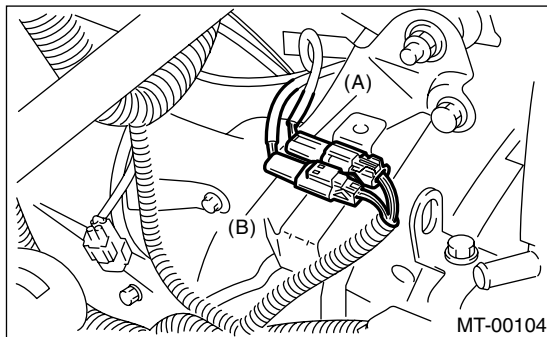
6. Switches and Harness

A: REMOVAL

1. BACK-UP LIGHT AND NEUTRAL POSITION SWITCH

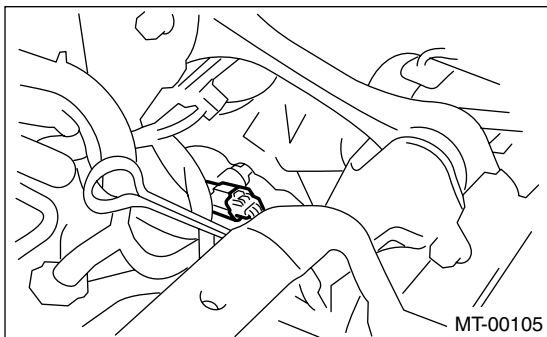
- 1) Disconnect the ground cable from battery.
- 2) Remove the air intake duct and cleaner case. (Non-turbo model) <Ref. to IN(H4SO)-5, REMOVAL, Air Cleaner Case.> and <Ref. to IN(H4SO)-6, REMOVAL, Air Intake Duct.>
- 3) Remove the intercooler. (Turbo model) <Ref. to IN(H4DOTC)-10, REMOVAL, Intercooler.>
- 4) Disconnect the connector of back-up light switch and neutral position switch.

• NON-TURBO MODEL



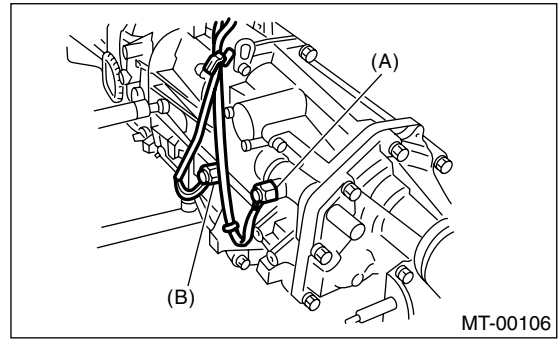
- (A) Neutral switch (Brown)
- (B) Back-up light switch (Gray)

• TURBO MODEL



- 5) Lift-up the vehicle.

- 6) Remove the back-up light switch and neutral position switch with harness.



- (A) Neutral switch (Brown)
- (B) Back-up light switch (Gray)

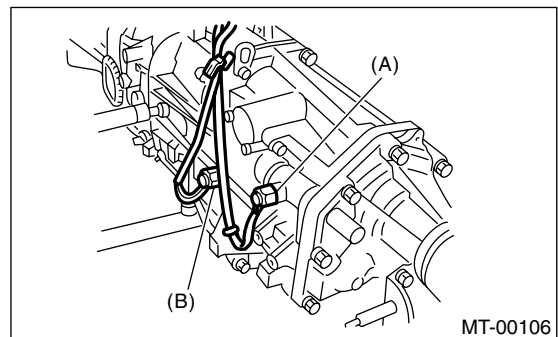
B: INSTALLATION

1. BACK-UP LIGHT SWITCH AND NEUTRAL POSITION SWITCH

- 1) Install the back-up light switch and neutral position switch with harness.

Tightening torque:

24.5 N·m (2.5 kgf·m, 18.1 ft·lb)



- (A) Neutral switch
- (B) Back-up light switch

- 2) Connect the connector of back-up light switch and neutral position switch.
- 3) Install the air intake duct and cleaner case. (Non-turbo model) <Ref. to IN(H4SO)-5, INSTALLATION, Air Cleaner Case.> and <Ref. to IN(H4SO)-6, INSTALLATION, Air Intake Duct.>
- 4) Install the intercooler. (Turbo model) <Ref. to IN(H4DOTC)-10, INSTALLATION, Intercooler.>
- 5) Connect the battery ground cable to battery.

SWITCHES AND HARNESS

MANUAL TRANSMISSION AND DIFFERENTIAL

C: INSPECTION

1. BACK-UP LIGHT SWITCH

Inspect the back-up light switch. <Ref. to LI-6, INSPECTION, Back-up Light System.>

2. NEUTRAL POSITION SWITCH

- 1) Turn the ignition switch to OFF.
- 2) Disconnect the connector of neutral position switch.
- 3) Measure the resistance between neutral position switch terminals.

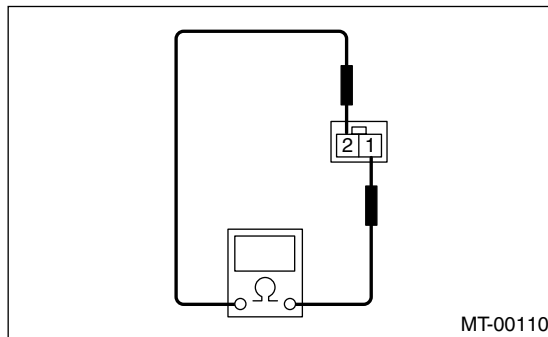
Non-turbo model:

Gear shift position	Terminal No.	Specified resistance
Neutral position	1 and 2	Less than 1 Ω
Other positions		More than 1 M Ω

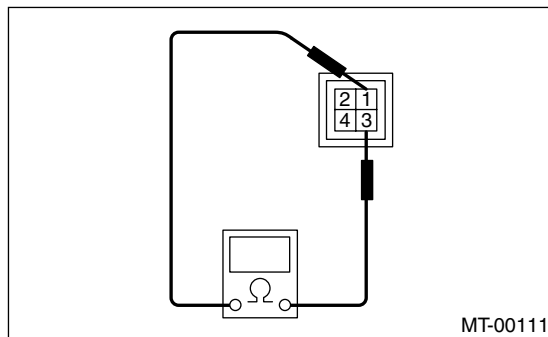
Turbo model:

Gear shift position	Terminal No.	Specified resistance
Neutral position	1 and 3	Less than 1 Ω
Other positions		More than 1 M Ω

• NON-TURBO MODEL



• TURBO MODEL



- 4) Replace defective parts.