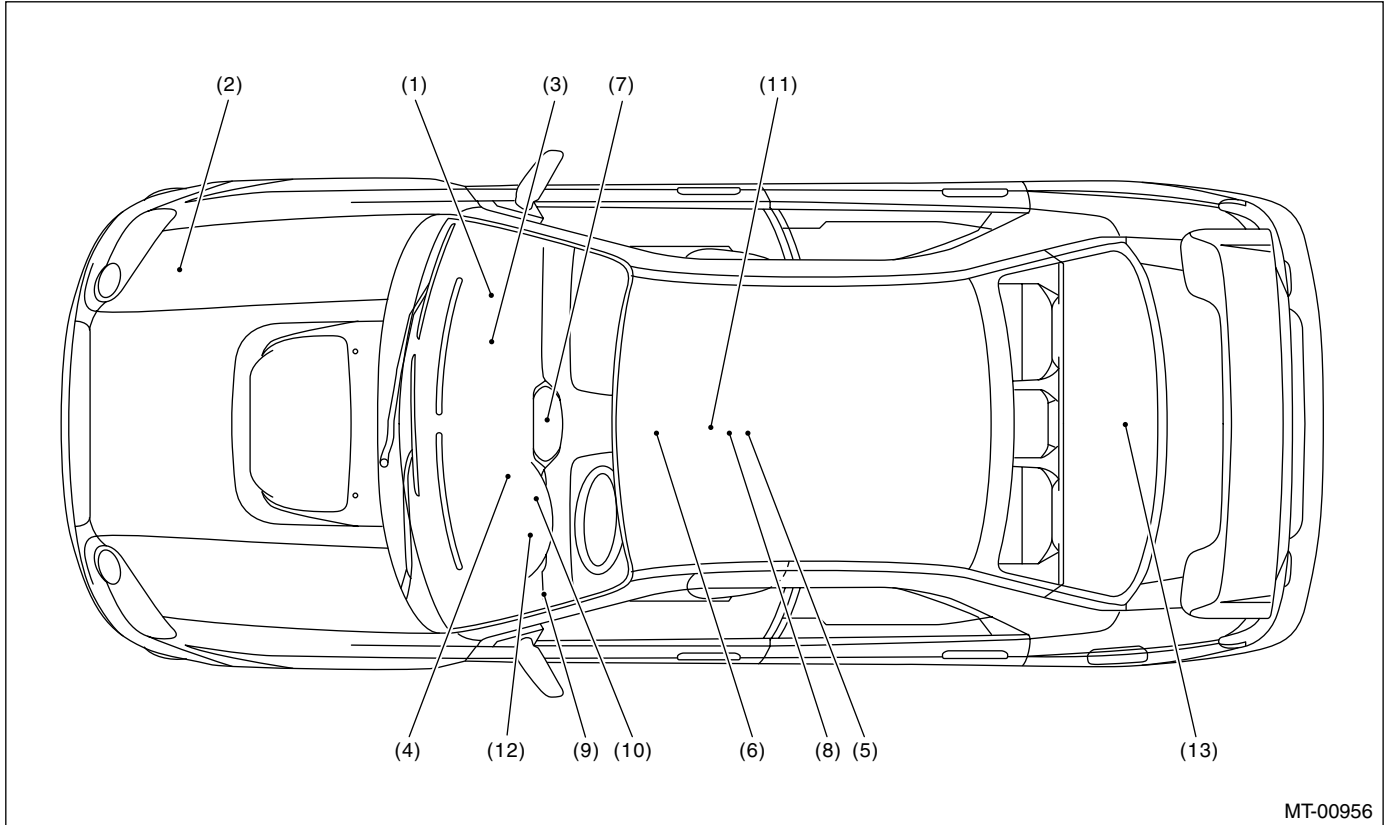


# ELECTRICAL COMPONENT LOCATION

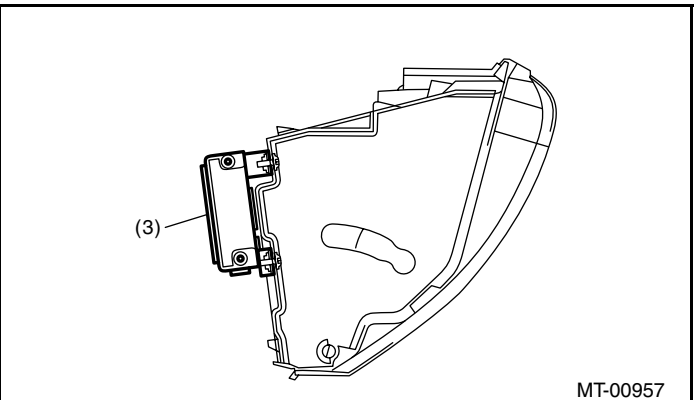
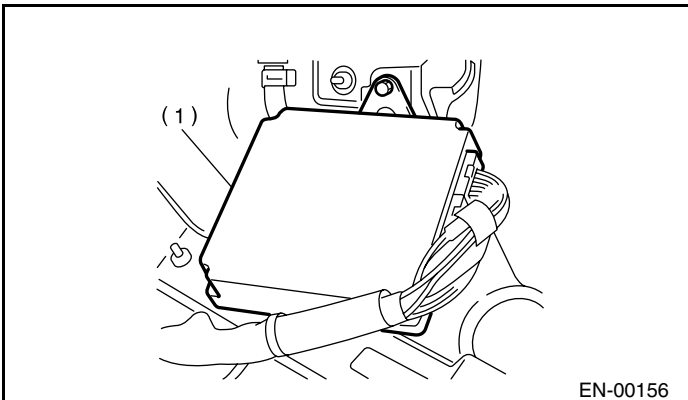
MANUAL TRANSMISSION AND DIFFERENTIAL (DIAGNOSTICS)

## 4. Electrical Component Location

### A: POSITION

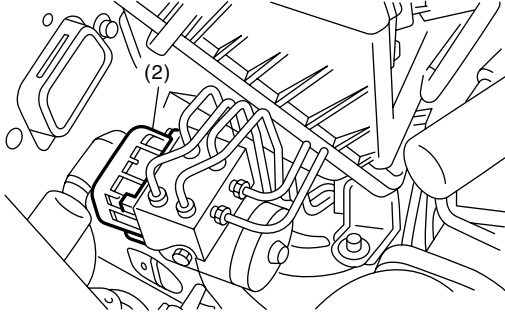


- |   |   |   |
|---|---|---|
| (1) Engine control module (ECM)                             | (7) Center differential   | (12) Brake light switch                       |
| (2) ABS control module & hydraulic control unit (ABSCM&H/U) | (8) Manual mode switch  | (13) Rear differential oil temperature switch |
| (3) Driver's control center differential control module     | (9) Driver's control center differential relay  |   |
| (4) Accelerator position sensor                             | (10) Driver's control center differential indicator (driver's control center differential diagnostic indicator) |   |
| (5) Lateral G sensor  | (11) Parking brake switch   |   |
| (6) Center differential control dial                        |   |   |

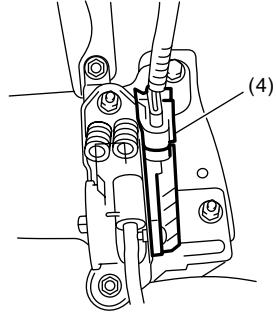


# ELECTRICAL COMPONENT LOCATION

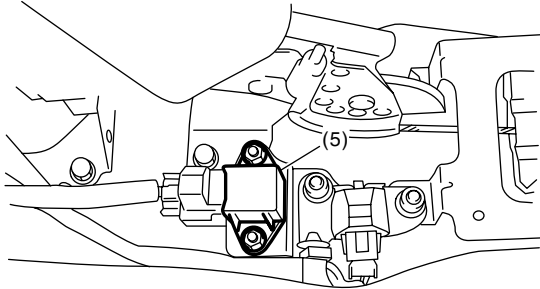
## MANUAL TRANSMISSION AND DIFFERENTIAL (DIAGNOSTICS)



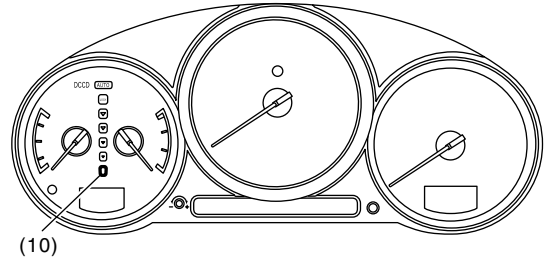
MT-00852



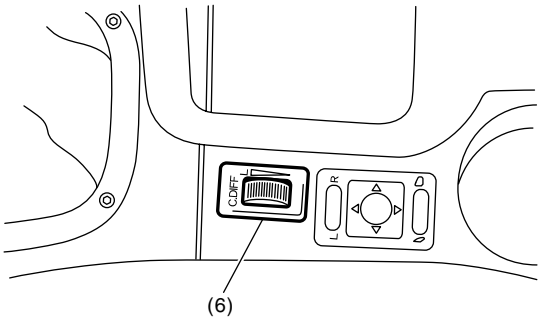
MT-00958



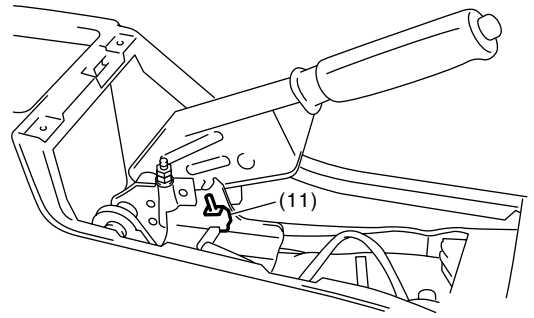
MT-00855



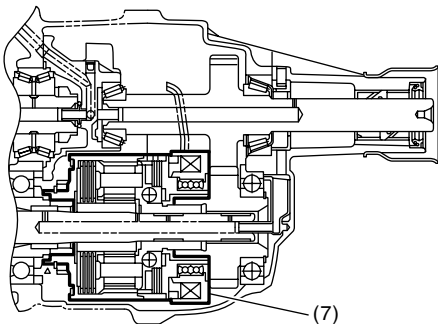
MT-00860



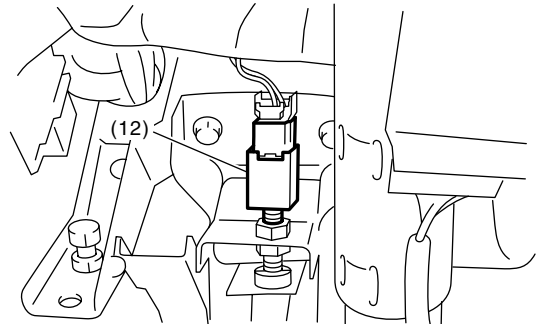
MT-00856



MT-00861



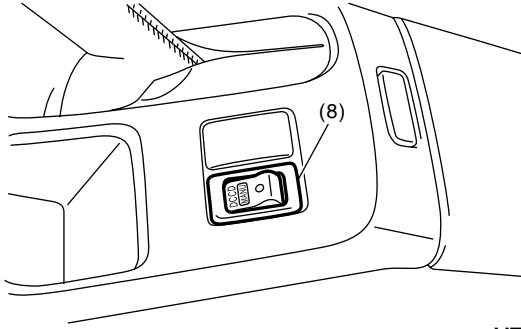
MT-00857



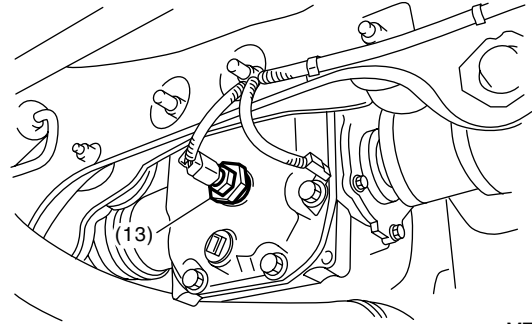
MT-00959

# ELECTRICAL COMPONENT LOCATION

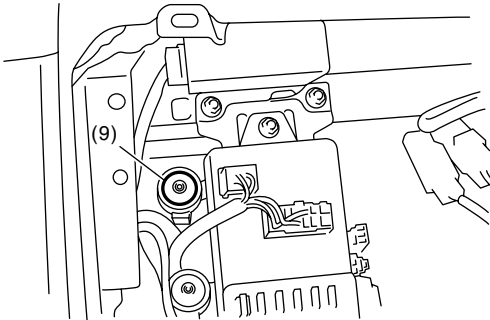
## MANUAL TRANSMISSION AND DIFFERENTIAL (DIAGNOSTICS)



MT-00858



MT-00863



MT-00960

**SUBARU.**