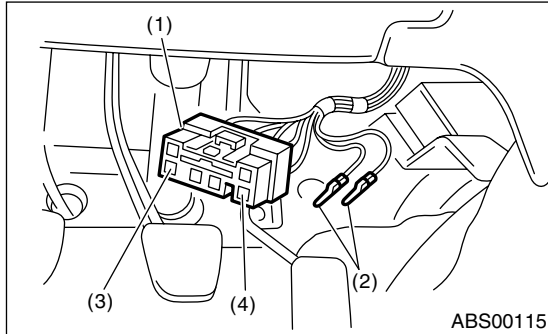


9. Clear Memory Mode

A: OPERATION

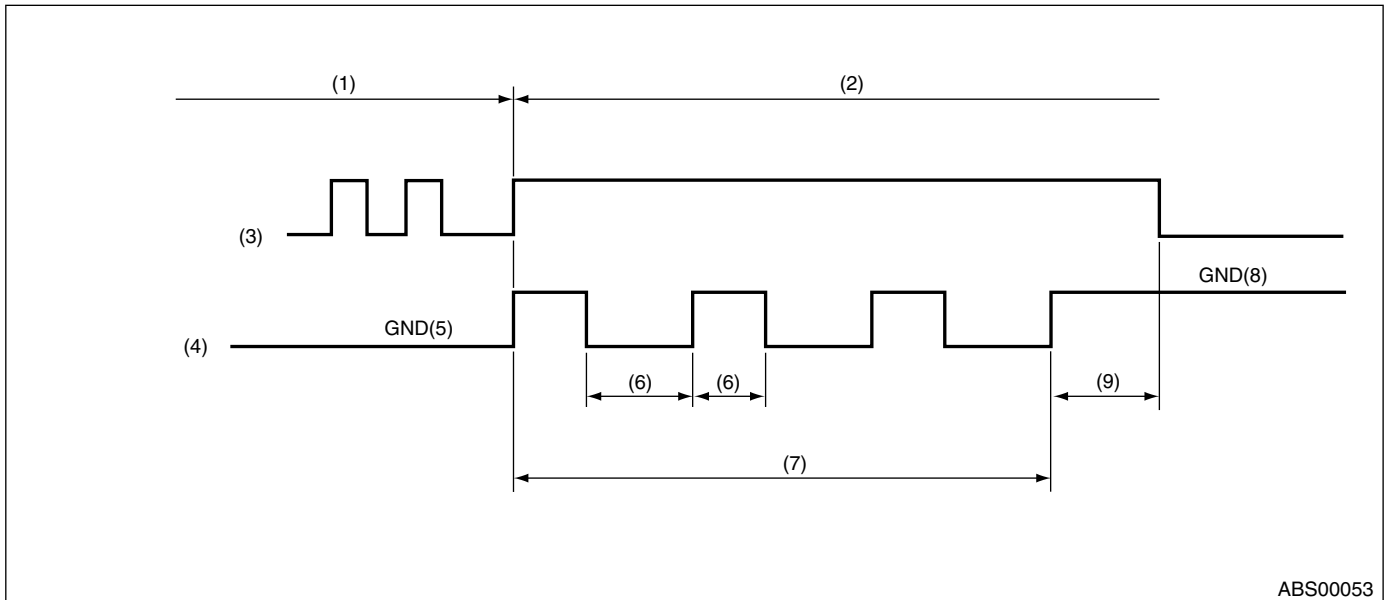
1. WITHOUT SUBARU SELECT MONITOR

1) After calling up a DTC, disconnect the diagnosis connector terminal 6 from Ground terminal.



- (1) Diagnosis connector
- (2) Ground terminal
- (3) Terminal No. 3
- (4) Terminal No. 6

2) Repeat 3 times within approx. 12 seconds; connecting and disconnecting terminal 6 and Ground terminal for at least 0.2 seconds each time.



- | | | |
|---|----------------------|-----------------------|
| (1) Diagnostic trouble code (DTC) indication mode | (4) Terminal No. 8 | (8) Open (high level) |
| (2) Clear memory mode | (5) Low level | (9) 1.5 sec. |
| (3) ABS warning lamp | (6) 0.2 sec. or more | |
| | (7) 12 sec. or less | |

NOTE:

After the diagnostics is completed, make sure to clear memory. Make sure only start code (11) is shown after memory is cleared.

2. WITH SUBARU SELECT MONITOR

Refer to SUBARU SELECT MONITOR for information about how to clear DTC. <Ref. to ABS-16, Subaru Select Monitor.>