

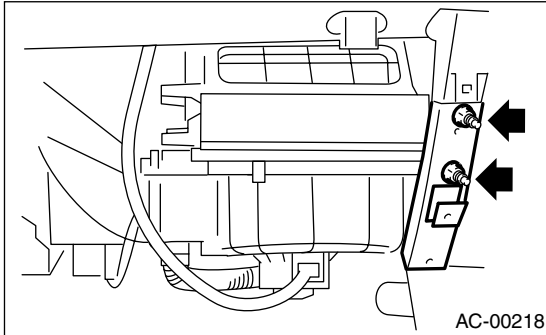
BLOWER MOTOR UNIT ASSEMBLY

HVAC SYSTEM (HEATER, VENTILATOR AND A/C)

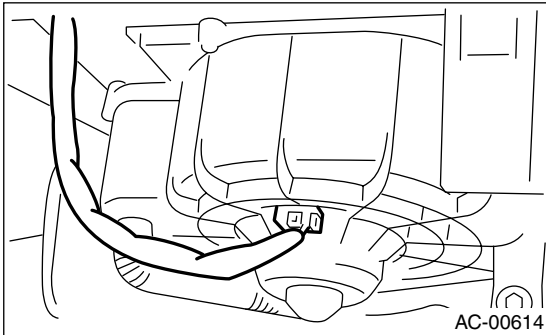
7. Blower Motor Unit Assembly

A: REMOVAL

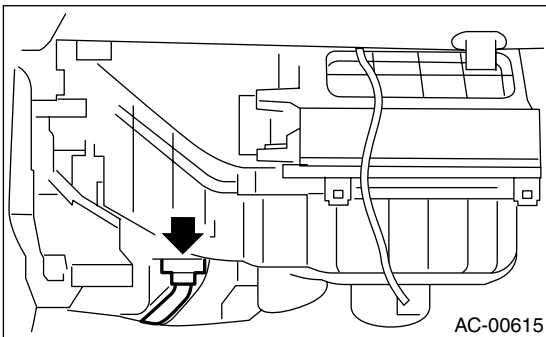
- 1) Disconnect the ground cable from battery.
- 2) Remove the glove box. <Ref. to EI-40, REMOVAL, Glove Box.>
- 3) Loosen the nut to remove the support beam stay.



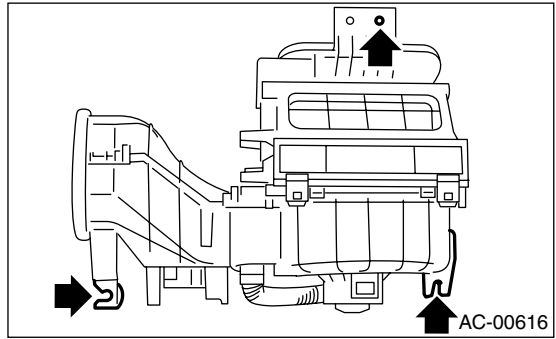
- 4) Disconnect the blower motor connector.



- 5) Disconnect the power transistor or blower resistor connector.



- 6) Loosen the bolt and nut to remove the blower motor unit assembly.



B: INSTALLATION

Install in the reverse order of removal.

Tightening torque:

Refer to **COMPONENT** in *General Description*. <Ref. to AC-5, HEATER COOLING UNIT, **COMPONENT**, *General Description*.> and <Ref. to AC-7, BLOWER MOTOR UNIT, **COMPONENT**, *General Description*.>

C: INSPECTION

Connect the motor connector terminal 1 from the battery to the positive (+) lead and terminal 2 to the negative (-) lead. Make sure the motor runs smoothly.

