

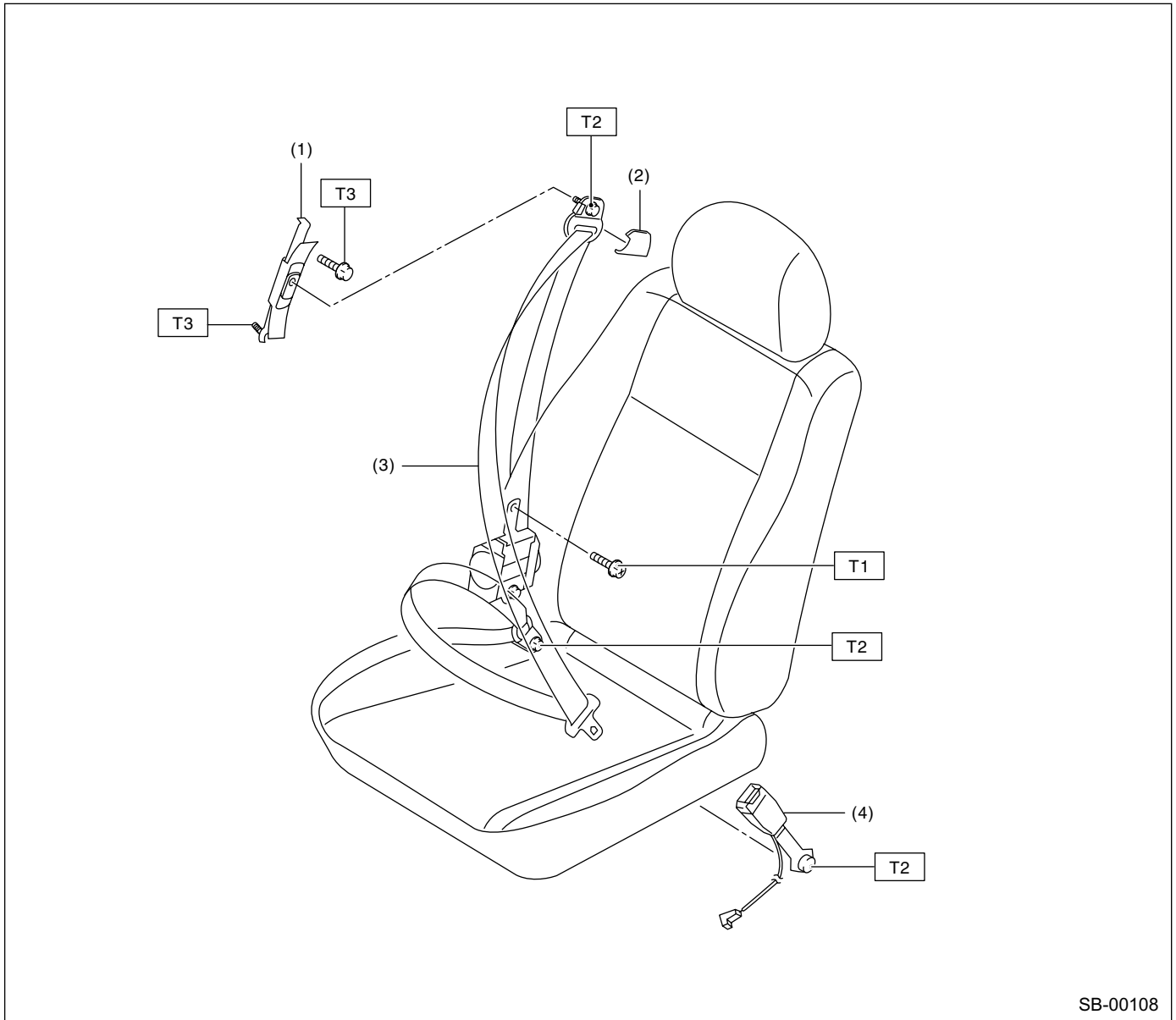
# GENERAL DESCRIPTION

## SEAT BELT SYSTEM

### 1. General Description

#### A: COMPONENT

#### 1. FRONT SEAT BELT



SB-00108

- (1) Adjuster anchor ASSY
- (2) Anchor cover

- (3) Outer belt ASSY
- (4) Inner belt ASSY

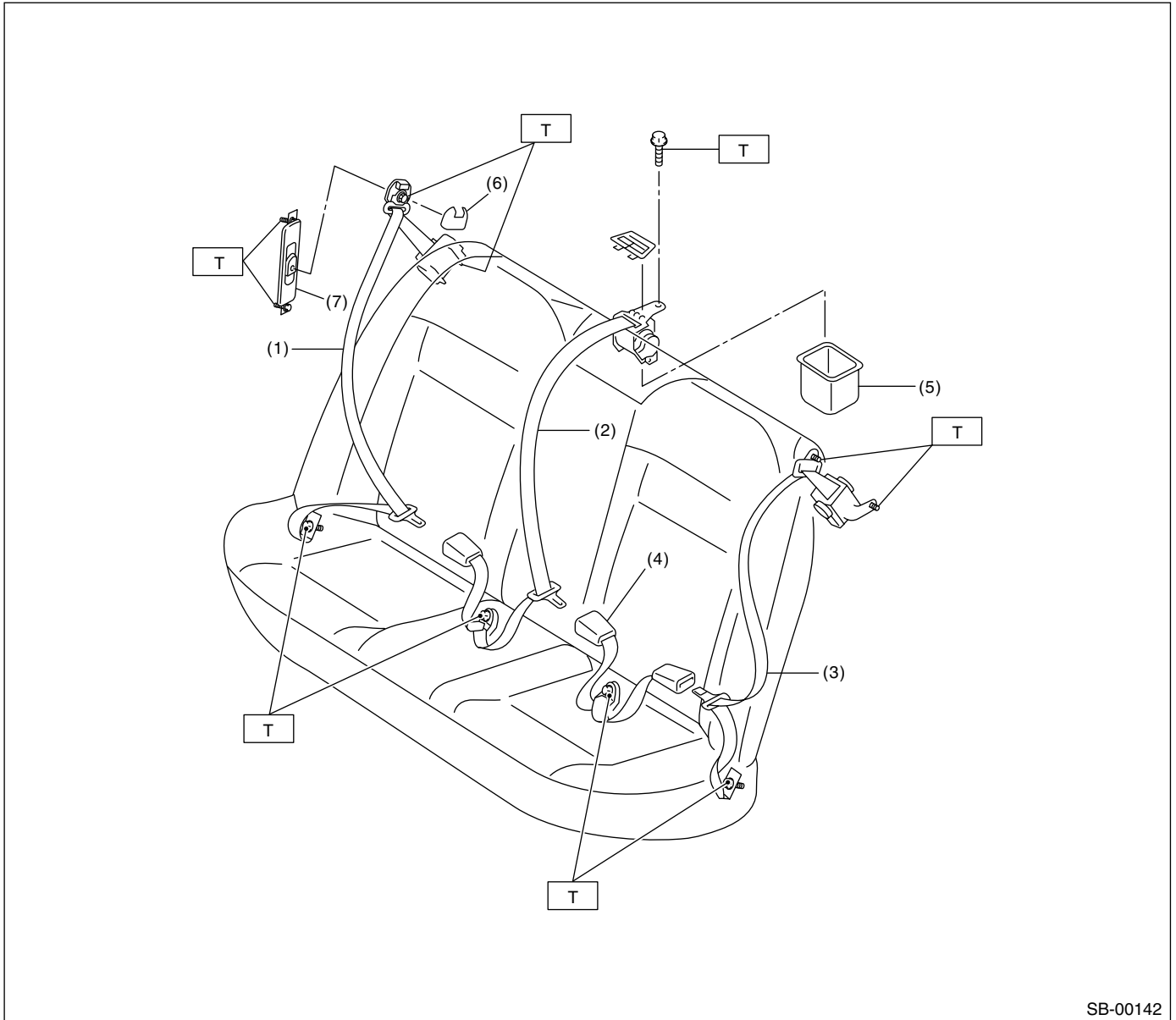
**Tightening torque: N·m (kgf·m, ft·lb)**

**T1: 7.5 (0.76, 5.5)**

**T2: 30 (3.1, 22)**

**T3: 53 (5.4, 39)**

### 2. REAR SEAT BELT (SEDAN MODEL)



SB-00142

- |                                 |                            |
|---------------------------------|----------------------------|
| (1) Outer seat belt RH ASSY     | (5) Case center ELR        |
| (2) Shoulder seat belt CTR ASSY | (6) Anchor cover           |
| (3) Outer seat belt LH ASSY     | (7) Adjustable anchor ASSY |
| (4) Center seat belt LH ASSY    |                            |

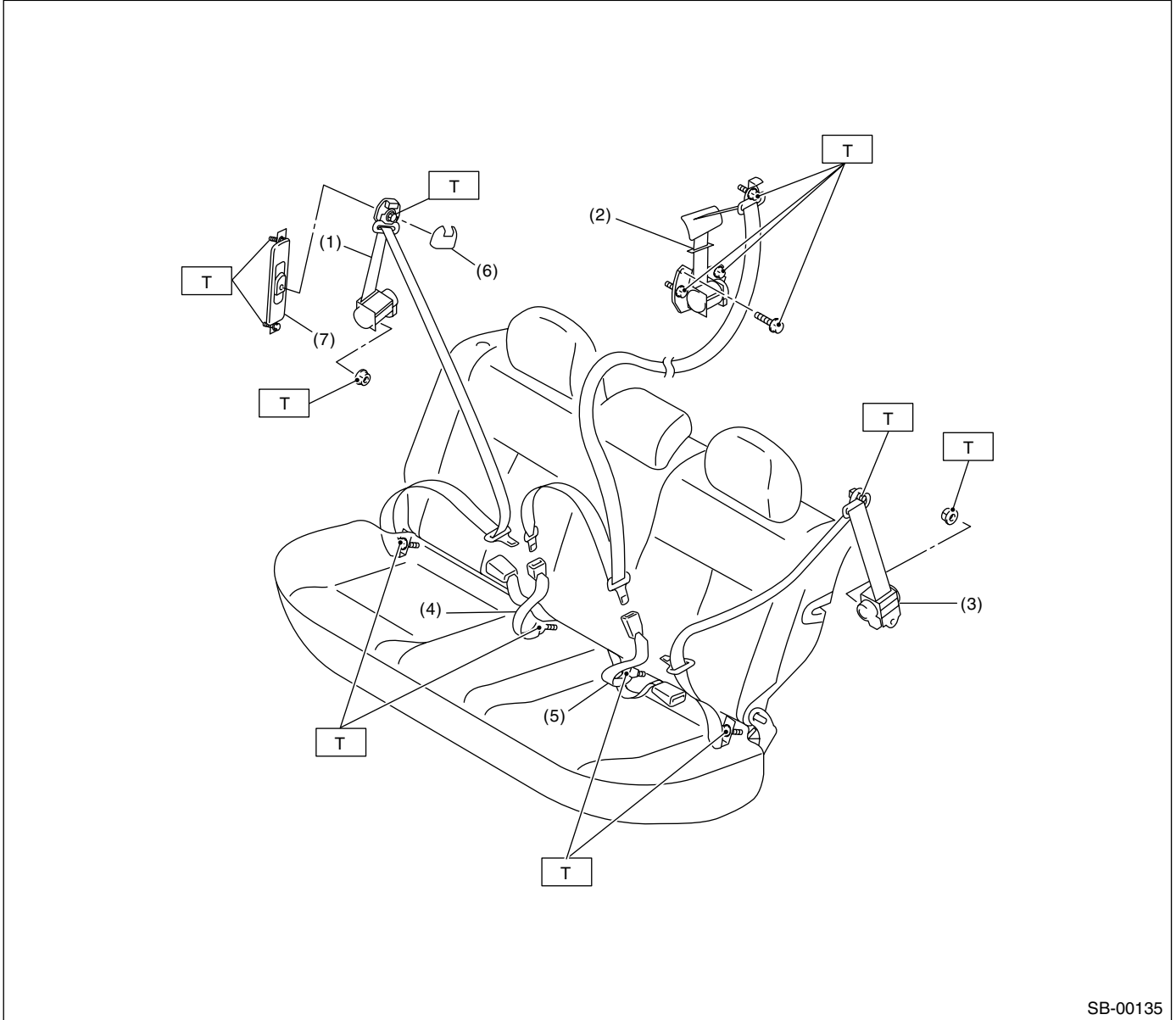
**Tightening torque: N·m (kgf·m, ft·lb)**

**T: 30 (3.1, 22)**

# GENERAL DESCRIPTION

## SEAT BELT SYSTEM

### 3. REAR SEAT BELT (WAGON MODEL)



- |                                 |                              |
|---------------------------------|------------------------------|
| (1) Outer seat belt RH ASSY     | (5) Center seat belt LH ASSY |
| (2) Shoulder seat belt CTR ASSY | (6) Anchor cover             |
| (3) Outer seat belt LH ASSY     | (7) Adjustable anchor ASSY   |
| (4) Center seat belt RH ASSY    |                              |

**Tightening torque: N·m (kgf·m, ft·lb)**

**T: 30 (3.1, 22)**

### **B: CAUTION**

- Before starting, turn the ignition switch to OFF, disconnect the battery ground cable and wait for 20 seconds or more.
- The pretensioner system has a backup power source. The pretensioner might deploy if you do not wait for 20 seconds or more before starting work.
- Do not drop or apply any impact to the pretensioner.
- If oil, grease, or water gets on the pretensioner, wipe it off immediately with a dry cloth.
- Do not expose the pretensioner to high temperature or flame.
- Do not allow current to flow through or voltage to reach the pretensioner. Do not use a circuit tester to check resistance of the pretensioner.
- Do not disassemble or attempt to repair the pretensioner. If it is dented, cracked, or deformed, replace it with a new one.
- Do not use the airbag or pretensioner parts from other vehicles. Always replace parts with new parts.
- When handling a seat belt with a deployed pretensioner, wear gloves and goggles. Wash your hands afterwards.
- Do not re-use a seat belt with a deployed pretensioner again.
- If the material gets in your eyes or on your skin during deployment, wash it away with clean water, and then consult a doctor.