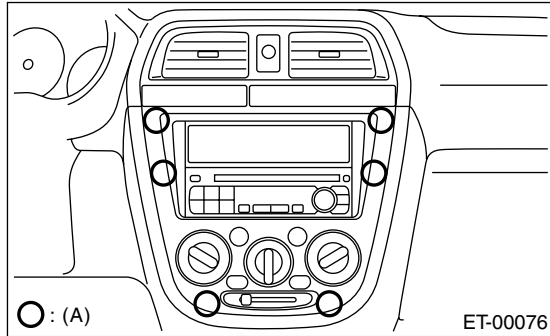


## 4. Radio Body

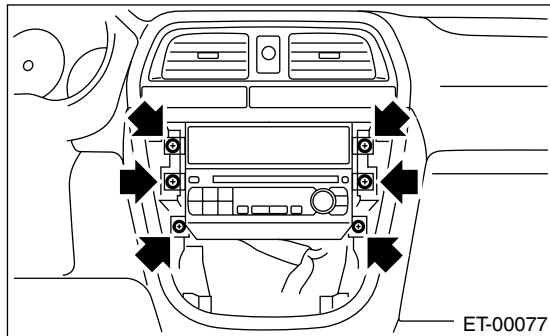
### A: REMOVAL

- 1) Disconnect the ground cable from battery.
- 2) Remove the center panel while disconnecting connector.



(A) Hook pawl

- 3) Remove the fitting screws, and slightly pull out the radio from center console.



- 4) Disconnect the harness connectors and antenna feeder cord.

### B: INSTALLATION

Install in the reverse order of removal.