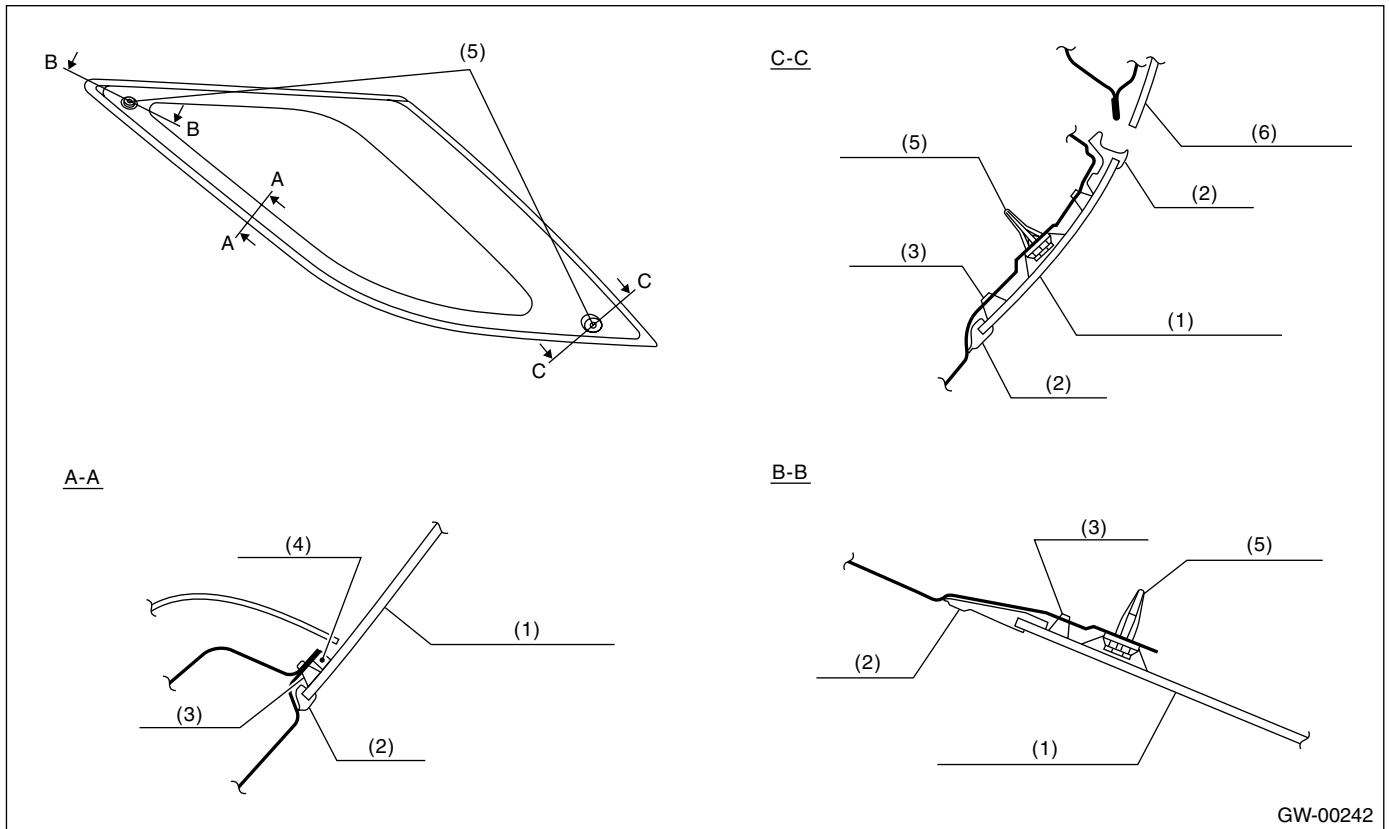


## 18.Rear Quarter Glass

### A: REMOVAL

Remove the glass in the same procedure as for windshield glass. <Ref. to GW-23, REMOVAL, Windshield Glass.>



GW-00242

- (1) Rear quarter glass
- (2) Molding

- (3) Adhesive
- (4) Dam rubber

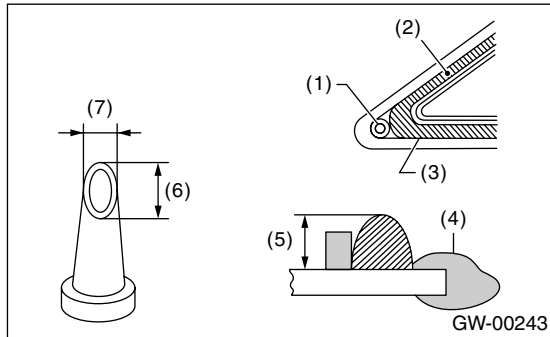
- (5) Matching pin
- (6) Rear gate glass

# REAR QUARTER GLASS

GLASS/WINDOWS/MIRRORS

## B: INSTALLATION

1) Cut off the nozzle tip as shown in the figure.



- (1) Matching pin
- (2) Dam rubber
- (3) Adhesive
- (4) Molding
- (5) 12 — 15 mm (0.47 — 0.59 in)
- (6) 15 mm (0.59 in)
- (7) 10 mm (0.39 in)

2) Install the glass in the same procedure as for windshield glass. <Ref. to GW-24, INSTALLATION, Windshield Glass.>

3) After completion of all work, allow the vehicle to stand for about 24 hours.

### NOTE:

- When the door is opened/closed after glass is bonded, always lower the door glass and then open/close it carefully.
- Move the vehicle slowly.
- For minimum drying time and time the vehicle must be left standing before driving after bonding, follow the instructions or instruction manual from adhesive manufacturer.

4) After curing of adhesive, pour water on external surface of vehicle to check that there are no water leaks.

### NOTE:

When a vehicle is returned to user, tell him or her that the vehicle should not be subjected to heavy impact for at least three days.