

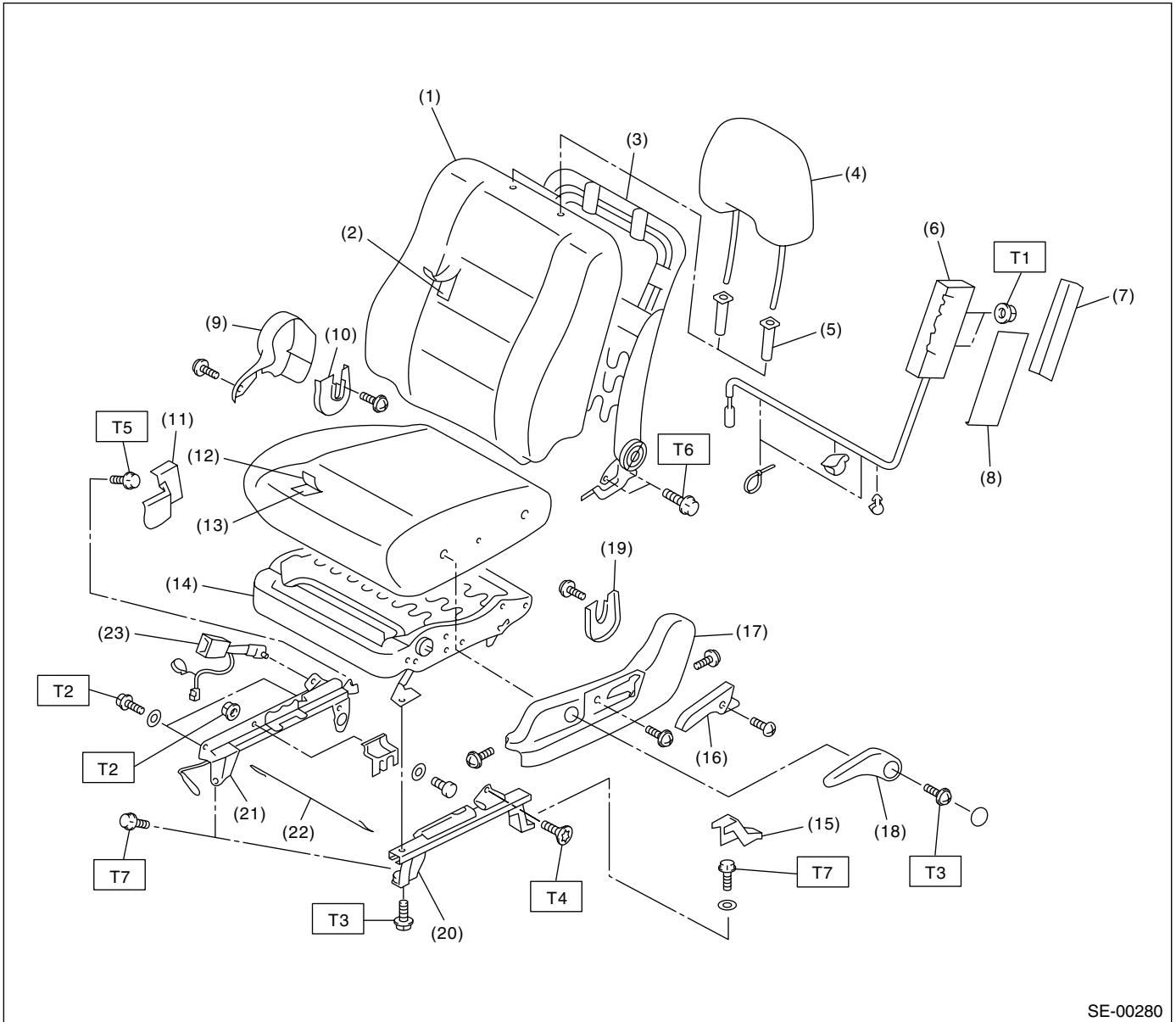
GENERAL DESCRIPTION

SEATS

1. General Description

A: COMPONENT

1. FRONT SEAT



SE-00280

- | | | |
|--------------------------------|--------------------------------|-----------------|
| (1) Backrest cover | (12) Seat cushion cover | (23) Inner belt |
| (2) Backrest pad | (13) Seat cushion pad | |
| (3) Backrest frame ASSY | (14) Seat cushion frame ASSY | |
| (4) Headrest ASSY | (15) Bolt cover LH | |
| (5) Headrest lock bush | (16) Reclining lever | |
| (6) Side airbag module | (17) Seat hinge outer cover | |
| (7) Support pad (B) | (18) Lifter lever | |
| (8) Support pad (A) | (19) Seat hinge inner cover LH | |
| (9) Seat hinge inner cover | (20) Outer slide rail | |
| (10) Seat hinge inner cover RH | (21) Inner slide rail | |
| (11) Bolt cover RH | (22) Connecting wire | |

Tightening torque: N-m (kgf-m, ft-lb)

T1: 5.9 (0.60, 4.35)

T2: 10 (1.02, 7.38)

T3: 17.7 (1.81, 13.1)

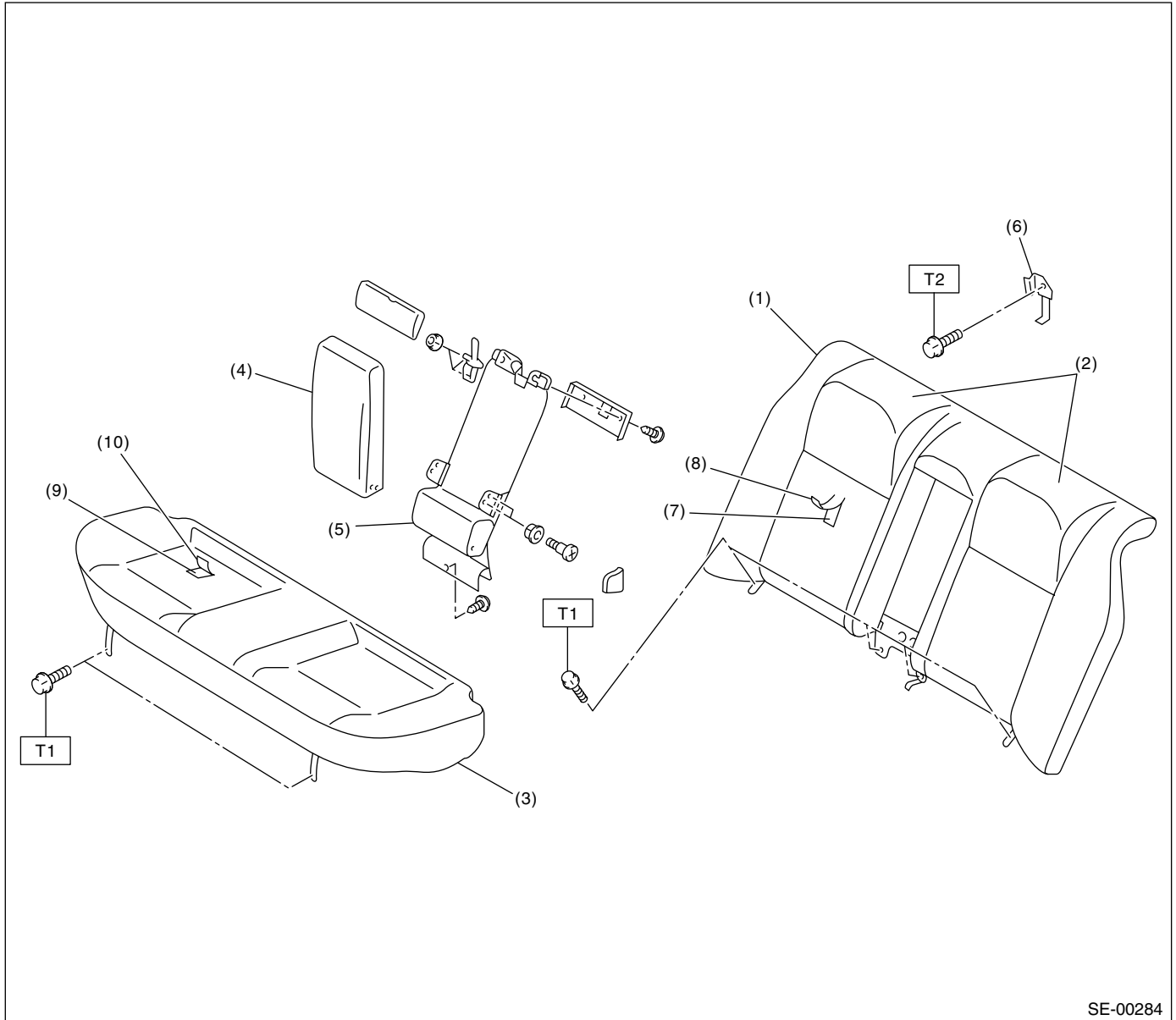
T4: 20 (2.04, 14.8)

T5: 30 (3.06, 22.1)

T6: 52 (5.30, 38.4)

T7: 53 (5.40, 39.1)

2. REAR SEAT (SEDAN MODEL)



- | | |
|--------------------------|-----------------------------------|
| (1) Backrest | (6) Hook |
| (2) Headrest | (7) Backrest pad ASSY |
| (3) Cushion | (8) Backrest cover ASSY |
| (4) Arm rest | (9) Rear pad & cushion frame ASSY |
| (5) Center through frame | (10) Rear cushion cover |

Tightening torque: N-m (kgf-m, ft-lb)

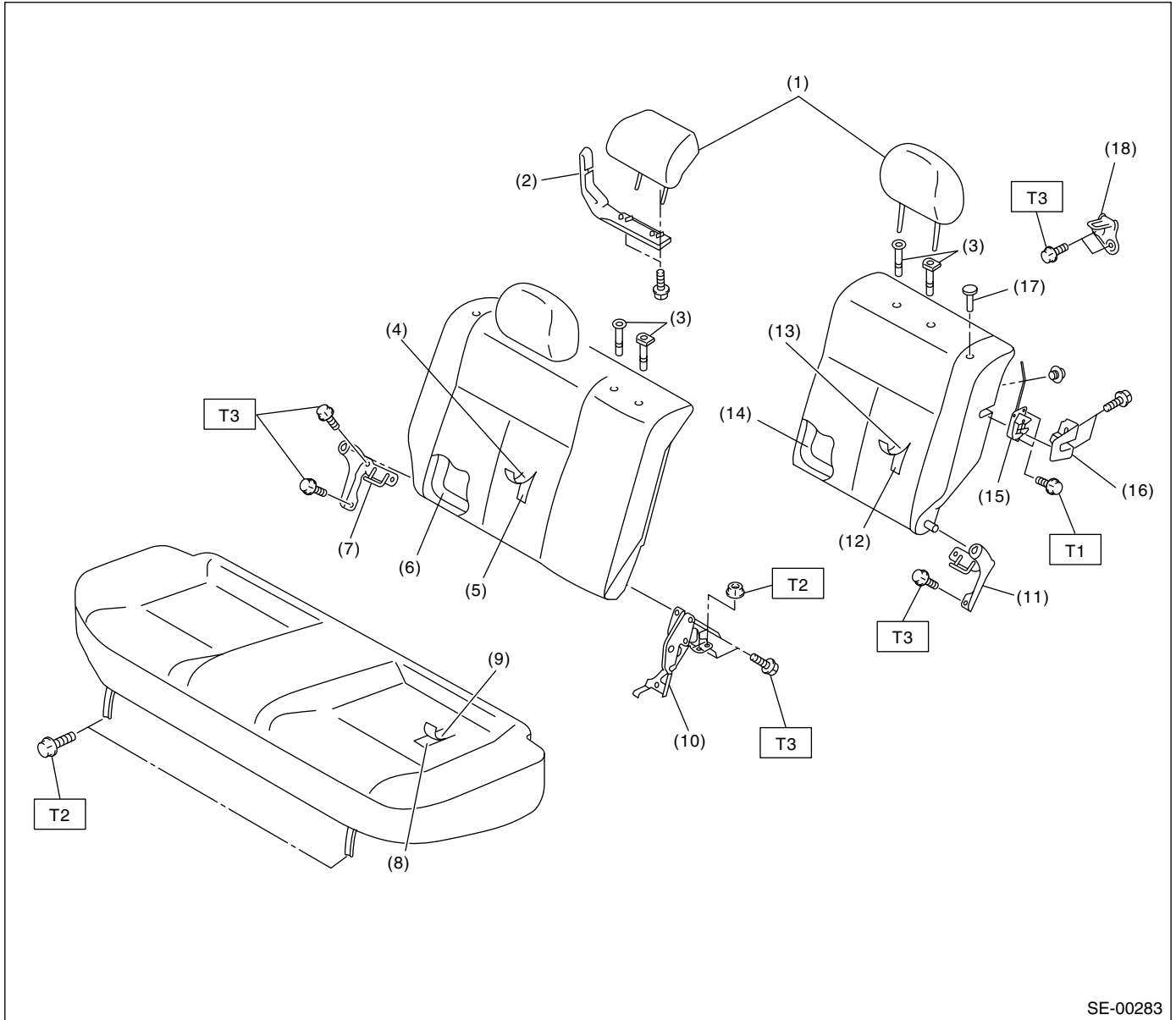
T1: 10 (1.02, 7.38)

T2: 24.5 (2.5, 18.1)

GENERAL DESCRIPTION

SEATS

3. REAR SEAT (WAGON MODEL)



SE-00283

- | | |
|------------------------|----------------------------|
| (1) Headrest | (9) Seat cushion pad |
| (2) Seat belt guide | (10) Hinge ASSY CTR |
| (3) Headrest bush | (11) Hinge ASSY LH |
| (4) Backrest cover RH | (12) Backrest pad LH |
| (5) Backrest pad RH | (13) Backrest cover LH |
| (6) Backrest frame RH | (14) Backrest frame LH |
| (7) Hinge ASSY RH | (15) Seat back latch |
| (8) Seat cushion cover | (16) Seat back latch cover |

- | |
|--------------------|
| (17) Backrest knob |
| (18) Striker |

Tightening torque: N-m (kgf-m, ft-lb)

T1: 17.7 (1.81, 13.1)

T2: 24.5 (2.5, 18.1)

T3: 33 (3.3, 24.6)

GENERAL DESCRIPTION

SEATS

B: CAUTION

When removing the front seat from a side airbag loaded vehicle, follow cautions given in the airbag section.

C: PREPARATION TOOL

1. GENERAL TOOL

TOOL NAME	REMARKS
Long Nose Pliers	Used for removing hog ring.
Hog Ring Pliers	Used for installing hog ring.
TORX® T30	Used for removing and installing slide rail.