

REAR SEAT

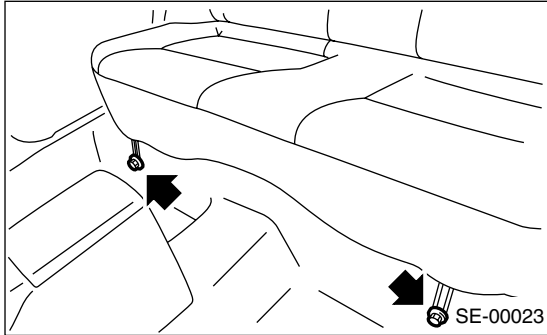
SEATS

3. Rear Seat

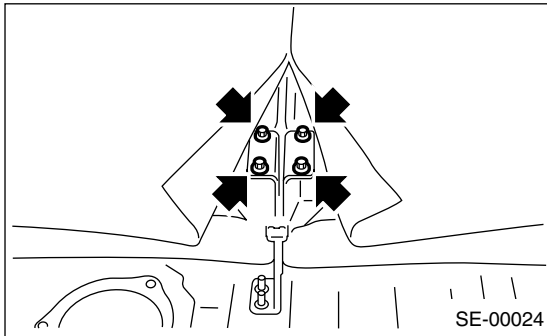
A: REMOVAL

1. WAGON MODEL

1) Remove the bolts, and then detach the rear seat cushion.



- 2) Remove the headrest.
- 3) Remove the luggage floor mat. <Ref. to EI-57, REMOVAL, Luggage Floor Mat.>
- 4) Turn over the mat to remove the bolts.

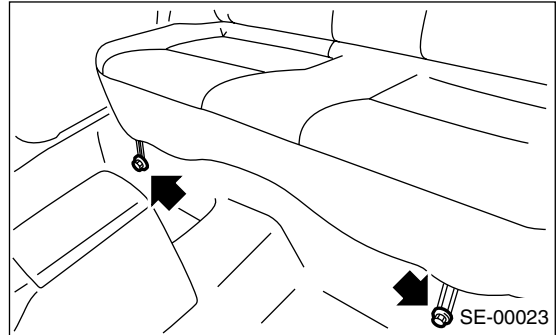


5) Remove the rear seat backrest.

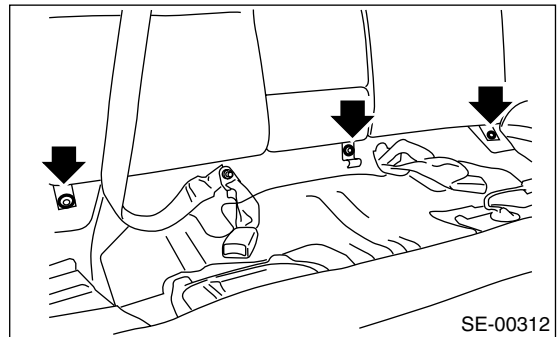


2. SEDAN MODEL

1) Remove the bolts, and then detach the rear seat cushion.



2) Remove the bolts securing lower portion of backrest and then open the center trunk through lid.



3) Lift the rear seat backrest and then remove it.

B: INSTALLATION

1. WAGON MODEL

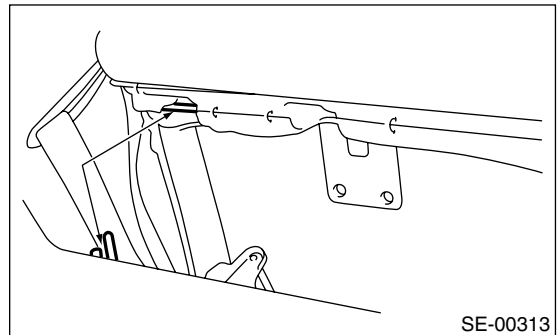
Install in the reverse order of removal.

Tightening torque:

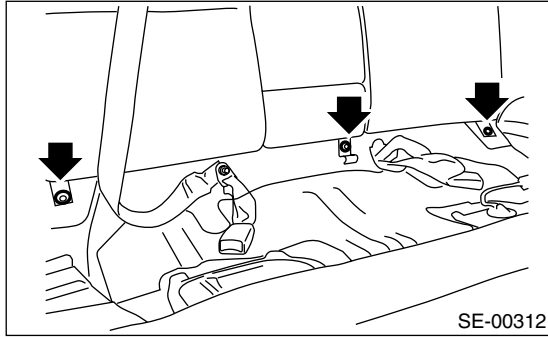
Refer to COMPONENT in General Description. <Ref. to SE-4, REAR SEAT (WAGON MODEL), COMPONENT, General Description.>

2. SEDAN MODEL

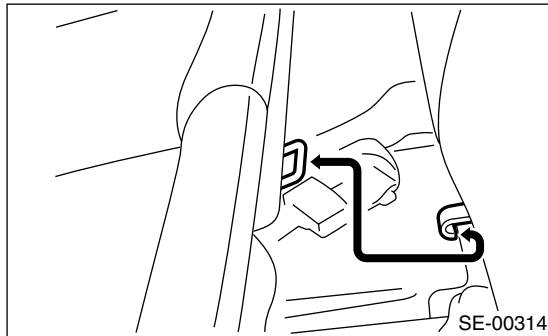
1) Hook and fasten the upper-back side of the rear seat backrest to the body hook.



2) Tighten the bolts.



3) Hook and fasten the seat cushion to the hook on the lower part of the rear seat backrest.



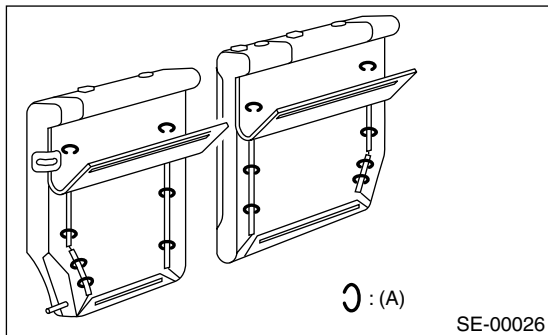
Tightening torque:

Refer to **COMPONENT** in **General Description**. <Ref. to SE-4, **REAR SEAT (WAGON MODEL), COMPONENT, General Description**.>

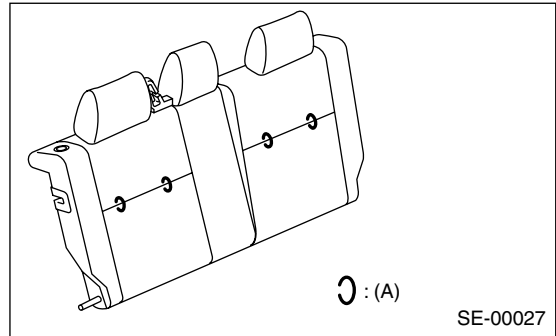
C: DISASSEMBLY

1. WAGON MODEL

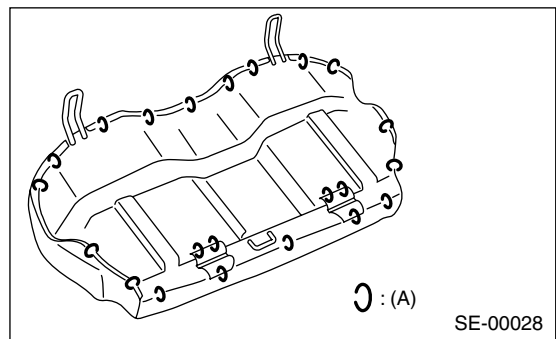
- 1) Remove the rear seat. <Ref. to SE-16, WAGON MODEL, REMOVAL, Rear Seat.>
- 2) Remove the hog rings (A) behind of seat backrest.



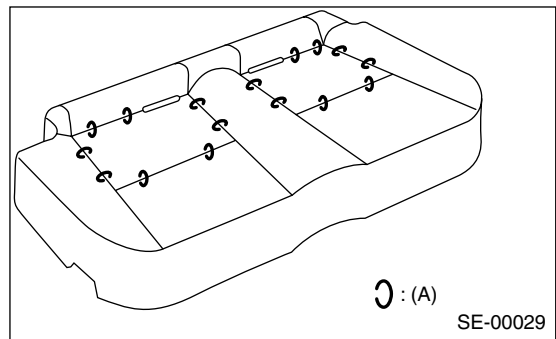
3) Remove the hog rings (A) on front side of cushion pad, and remove the cover.



4) Remove the hog rings (A) behind of seat cushion.

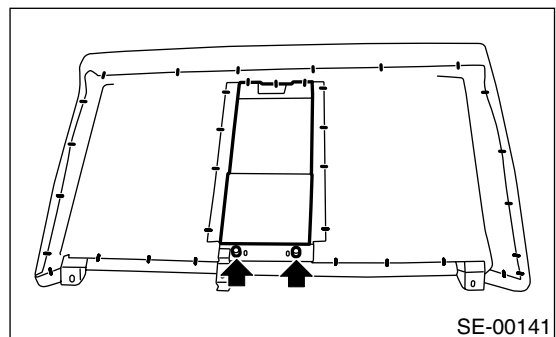


5) Remove the hog rings (A), and then remove the cover.



2. SEDAN MODEL

- 1) Remove the rear seat. <Ref. to SE-16, SEDAN MODEL, REMOVAL, Rear Seat.>
- 2) Remove two nuts, and then remove the armrest assembly.

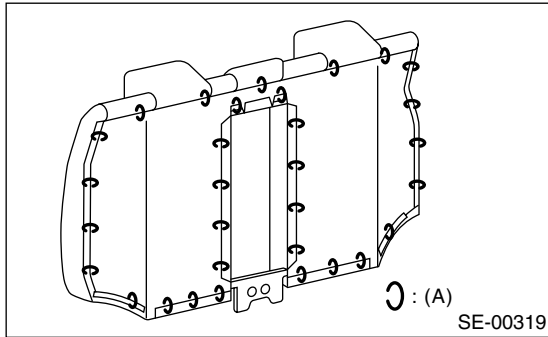


REAR SEAT

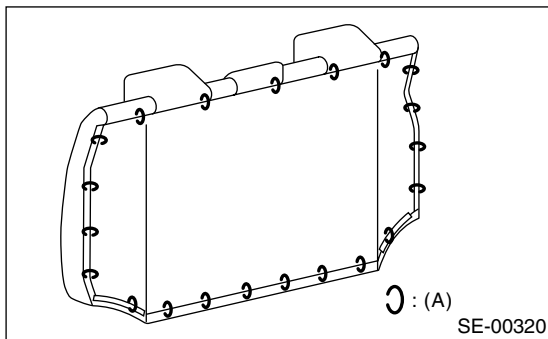
SEATS

3) Remove the hog rings (A) behind of seat backrest.

- Armrest through type MODEL

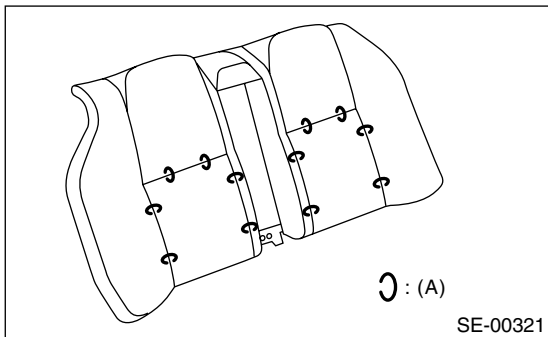


- Unified type MODEL

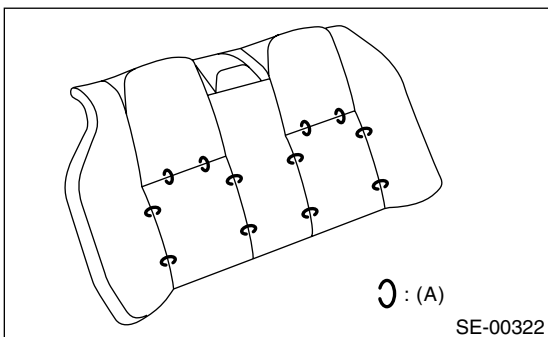


4) Remove the hog rings (A), and then remove the seat cover.

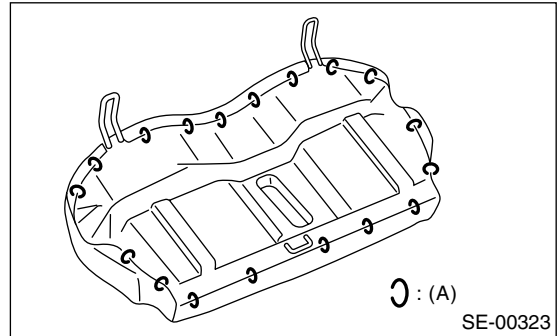
- Armrest through type MODEL



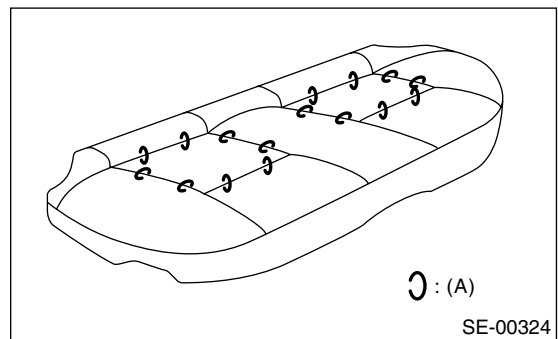
- Unified type MODEL



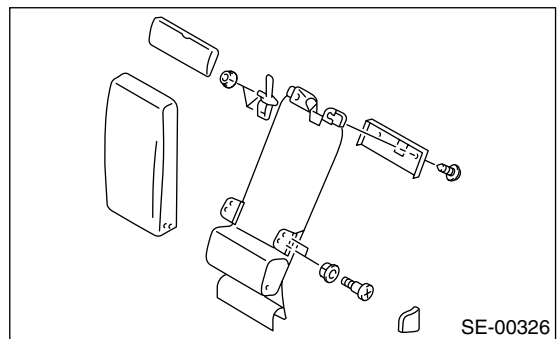
5) Remove the hog rings (A) behind of seat cushion.



6) Remove the hog rings (A), and then remove the seat cover.



7) Remove the nuts and screws, and then disassemble the armrest assembly.



D: ASSEMBLY

1. WAGON MODEL

Assemble in the reverse order of disassembly.

NOTE:

- Do not contaminate or damage the cover.
- While installing the hog rings, prevent the seat from getting wrinkled.

2. SEDAN MODEL

Assemble in the reverse order of disassembly.

NOTE:

- Do not contaminate or damage the cover.
- While installing the hog rings, prevent the seat from getting wrinkled.

REAR SEAT

SEATS
