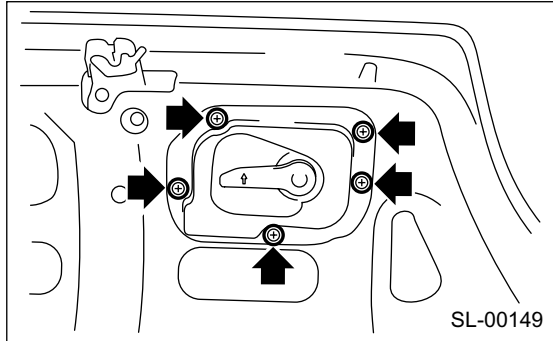


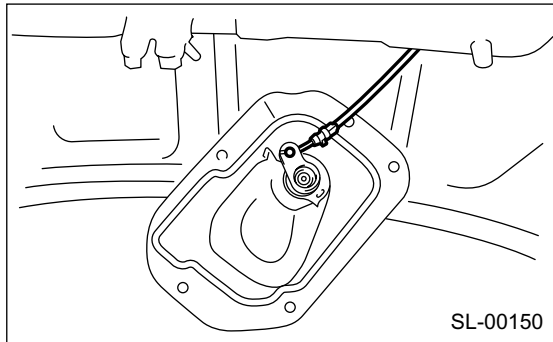
17. Trunk Lid Release Handle

A: REMOVAL

- 1) Remove the five clips.



- 2) Remove the cable from trunk lid release handle.



B: INSTALLATION

Install in the reverse order of removal.

C: INSPECTION

- 1) Make sure the cable is not deformed.
- 2) Make sure the lever works smoothly.