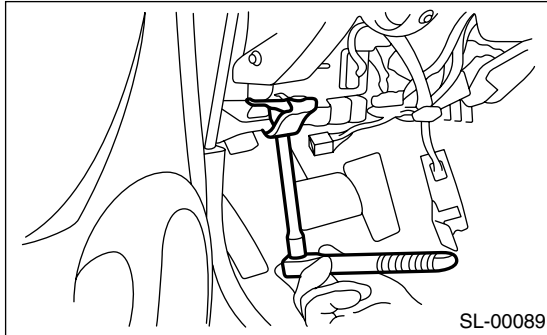


## 19. Remote Openers

### A: REMOVAL

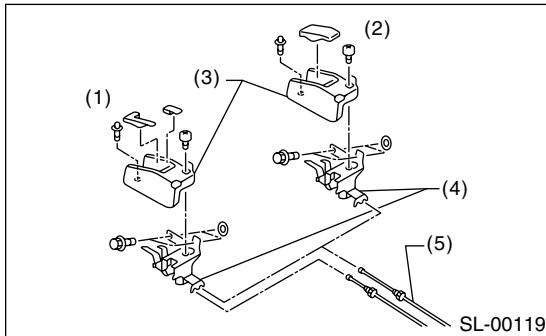
#### 1. HOOD OPENER

- 1) Remove the release cable from hood lock.
- 2) Remove the bolt. Remove the opener lever.



#### 2. TRUNK LID OPENER

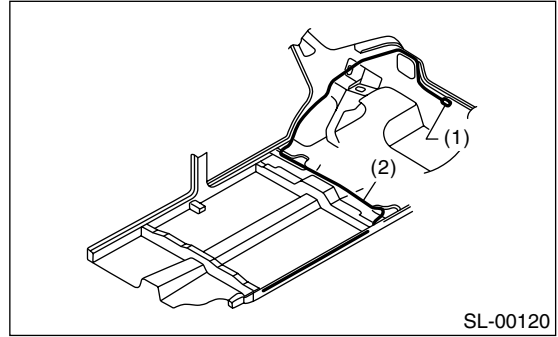
- 1) Remove the rear seat. <Ref. to SE-16, REMOVAL, Rear Seat.>
- 2) Remove the center pillar lower trim, and remove the side sill cover on passenger side. Remove the rear pillar lower trim. Pull back the floor mat. Remove the clip holding the cable.
- 3) Remove the bolt. Remove the opener pull handle.



- (1) Sedan
- (2) Wagon
- (3) Cover
- (4) Pull handle ASSY
- (5) Cable

- 4) Remove the cable from opener pull handle.
- 5) Remove the striker from trunk lid.

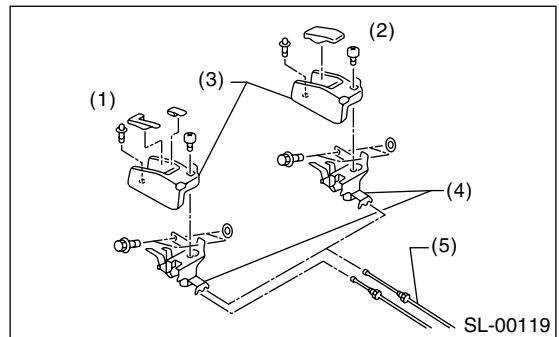
- 6) Remove the cable from striker.



- (1) Striker
- (2) Cable

#### 3. FUEL FLAP OPENER

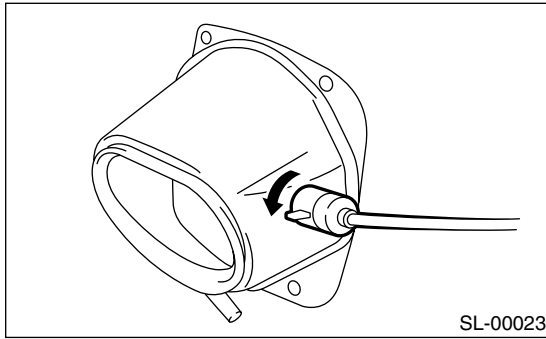
- 1) Remove the rear seat. <Ref. to SE-16, REMOVAL, Rear Seat.>
- 2) Remove the center pillar lower trim, and remove the side sill cover on passenger side. Remove the rear pillar lower trim. Pull back the floor mat. Remove the clip holding the cable.
- 3) Remove the bolt. Remove the opener pull handle.



- (1) Sedan
- (2) Wagon
- (3) Cover
- (4) Pull handle ASSY
- (5) Cable

- 4) Remove the cable from opener pull handle.
- 5) Remove the right rear quarter trim. <Ref. to EI-49, REMOVAL, Rear Quarter Trim.>

6) Rotate the fuel lock inside the quarter panel to left and remove.



## **B: INSTALLATION**

### **1. HOOD OPENER**

Install in the reverse order of removal.

### **2. TRUNK LID OPENER**

Install in the reverse order of removal.

### **3. FUEL FLAP OPENER**

Install in the reverse order of removal.

## **C: INSPECTION**

Make sure the fuel flap opens and closes smoothly.