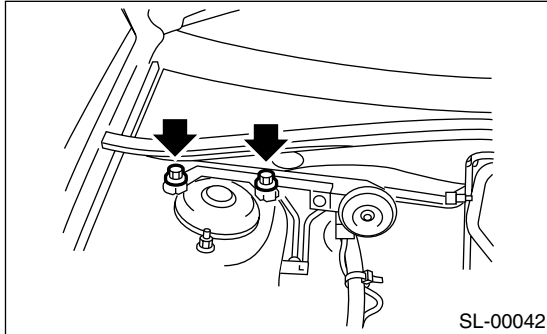


23. Security Horn

A: REMOVAL

- 1) Disconnect the ground terminal from battery.
- 2) Remove the nuts and then detach the security horn while disconnecting the connector.

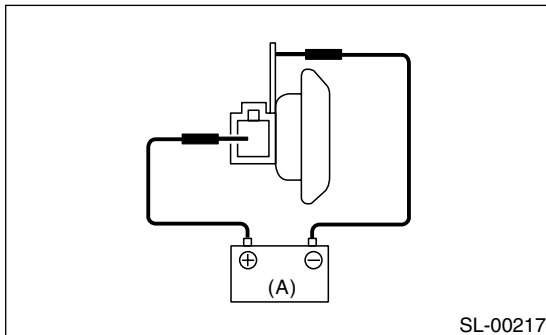


B: INSTALLATION

Install in the reverse order of removal.

C: INSPECTION

Connect the battery to the security horn terminal and case ground and make sure the horn sounds properly.



(A) Battery

If NG, replace the security horn.