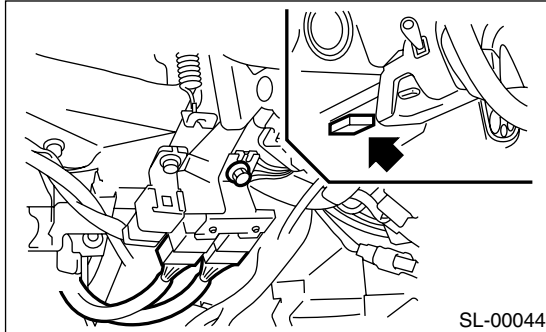


## 24. Security Horn Relay

### A: REMOVAL

- 1) Disconnect the ground terminal from battery.
- 2) Remove the mounting bolt and detach the security horn relay (near the fuse box).



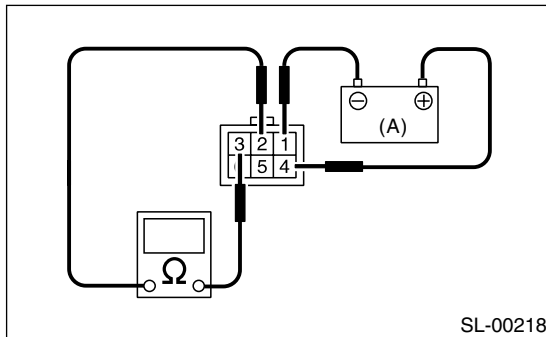
### B: INSTALLATION

Install in the reverse order of removal.

### C: INSPECTION

Measure the security horn relay resistance between terminals (indicated in the table below) when connecting terminal No. 4 to battery positive terminal and terminal No. 1 to battery ground terminal.

Current	Terminal No.	Standard
Flow	2 and 3	Less than 1 $\Omega$
No flow		More than 1 M $\Omega$



(A) Battery

If NG, replace the security horn relay.