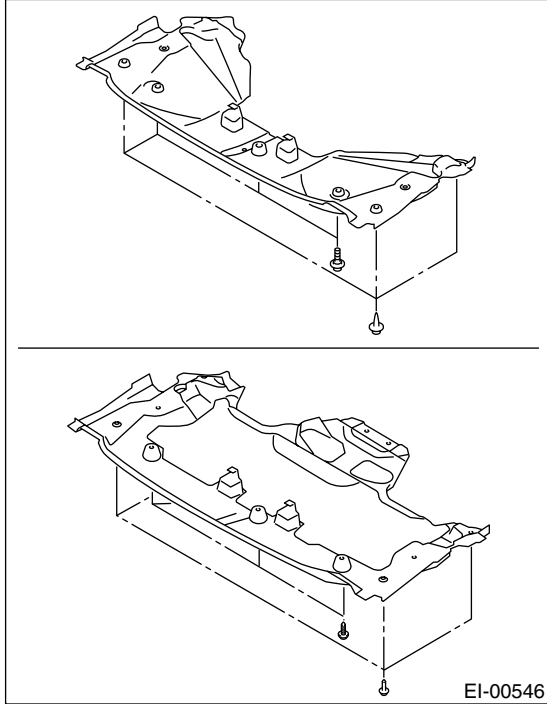


4. Front Under Cover

A: REMOVAL

- 1) Lift-up the vehicle.
- 2) Loosen the bolts and clips to remove the under cover.



B: INSTALLATION

Install in the reverse order of removal.

Tightening torque:

14 N·m (1.42 kgf·m, 10.3 ft·lb)