

# ROOF MOLDING

EXTERIOR/INTERIOR TRIM

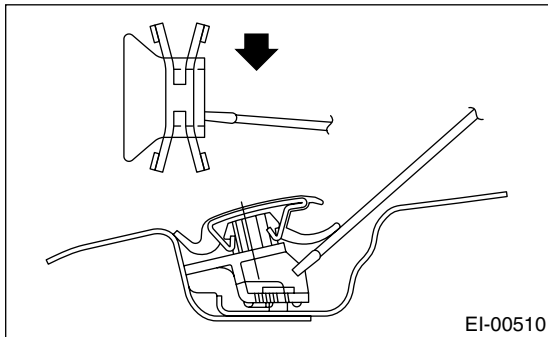
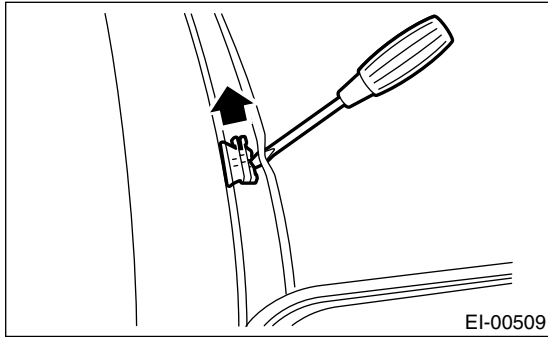
## 17. Roof Molding

### A: REMOVAL

1) Turn over the edge of roof molding, and then remove it by sliding the internal clip using a flat tip screwdriver.

RH: Slide the molding toward the rear side of vehicle.

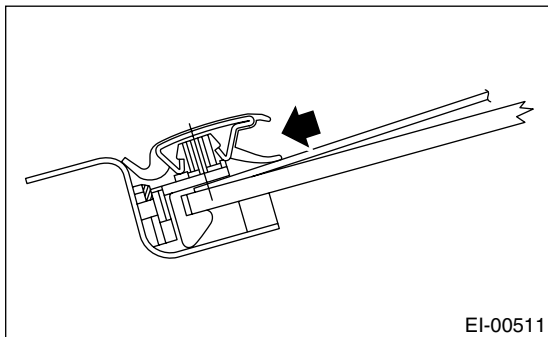
LH: Slide the molding toward the front side of vehicle.



Sedan model: six clips

Wagon model: eight clips

2) For sedan model, remove four clips of rear pillar. Turn over the roof molding on rear glass side, insert a board of about 0.5 mm (0.020 in) thickness into clearance between roof molding and glass, and then remove the claw of internal clip.

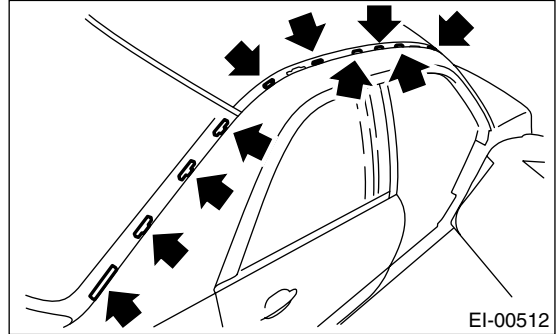


### B: INSTALLATION

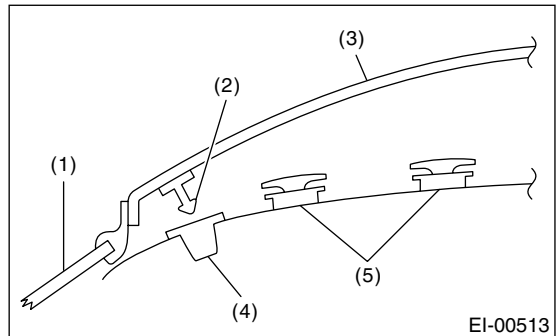
1) Remove the clip of roof and rear pillar (sedan model) from roof molding, and then install it to body side.

#### CAUTION:

**Make sure to replace the clips broken when removing the roof molding with new ones.**



2) Put the front edge of roof molding onto front window molding, and insert the front locating pin into body side cap.



(1) Front window

(2) Locating pin

(3) Roof molding

(4) Cap

(5) Clip (roof)

3) Install the roof molding to body, by pushing the roof molding from above being careful not to deform it.