

SUBARU SELECT MONITOR

CRUISE CONTROL SYSTEM (DIAGNOSTICS)

5. Subaru Select Monitor

A: OPERATION

1. GENERAL

The on-board diagnosis function of the cruise control system uses the Subaru Select Monitor.

The on-board diagnosis function operates in two categories, which are used depending on the type of problems;

1) Cruise cancel conditions diagnosis:

(1) This category of diagnosis requires actual vehicle driving in order to determine the cause, (as when cruise speed is cancelled during driving although cruise cancel condition is not entered).

(2) Cruise control memory of ECM stores the cancel condition (Code No.) which occurred during driving. When there are plural cancel conditions (Code No.), they are shown on the Subaru Select Monitor.

CAUTION:

- The cruise control memory stores not only the cruise "cancel" which occurred (although "cancel" operation is not entered by the driver), but also the "cancel" condition input by the driver.

- The content of memory is cleared when ignition switch or cruise main switch is turned OFF.

2) Real-time diagnosis:

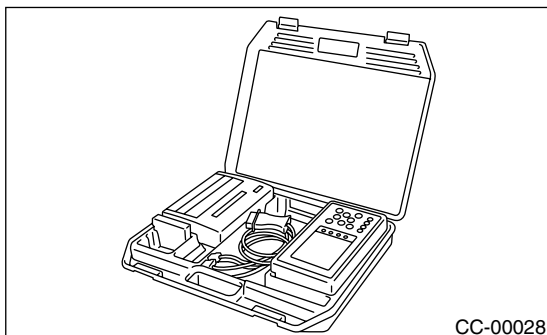
The real-time diagnosis function is used to determine whether or not the input signal system is in good order, according to signal emitted from switches, sensors, etc.

(1) Vehicle cannot be driven at cruise speed because problem occurs in the cruise control system or its associated circuits.

(2) Monitor the signal conditions from switches and sensors.

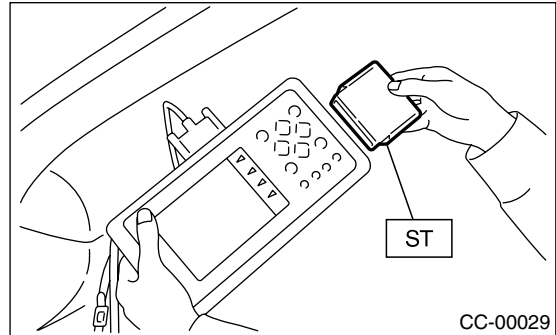
2. CRUISE CANCEL CONDITIONS DIAGNOSIS

1) Prepare the Subaru Select Monitor kit.



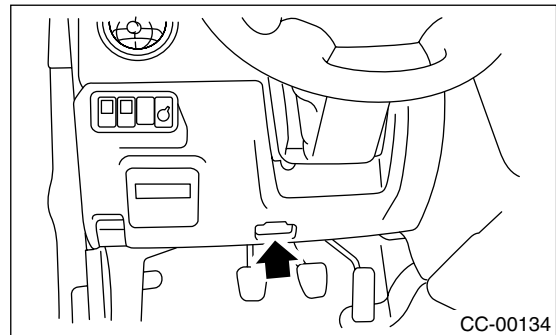
2) Connect the diagnosis cable to Subaru Select Monitor.

3) Insert the cartridge into Subaru Select Monitor. <Ref. to CC(STi)-4, SPECIAL TOOLS, PREPARATION TOOL, General Description.>



4) Connect the Subaru Select Monitor to data link connector.

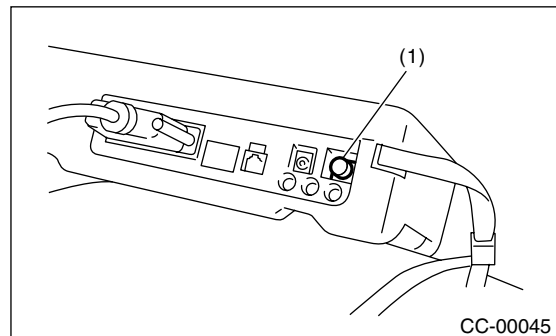
(1) Data link connector is located in the lower portion of the instrument panel (on the driver's side).



(2) Connect the diagnosis cable to data link connector.

5) Start the engine and turn the cruise control main switch to ON.

6) Turn the Subaru Select Monitor switch to ON.



(1) Power switch

SUBARU SELECT MONITOR

CRUISE CONTROL SYSTEM (DIAGNOSTICS)

7) On the Main Menu display screen, select the {2. Each System Diagnosis} and press [YES] key.

Select the {Engine} on the System Selection display screen and press [YES] key. Press [YES] key after the engine type displayed.

8) Drive the vehicle at least 40 km/h (25 MPH) with cruise speed set.

9) If the cruise speed is canceled itself (without doing any cancel operations), a DTC will appear on select monitor display after {Cancel Code(s) Display} is selected on the Engine Diagnosis display screen and [YES] key is pressed.

CAUTION:

- A DTC will also appear when cruise cancel is effected by driver. Do not confuse.
- Have a co-worker ride in the vehicle to assist in diagnosis during driving.

NOTE:

DTC will be cleared by turning the ignition switch or cruise control main switch to OFF.

3. REAL-TIME DIAGNOSIS

1) Connect the select monitor.

2) Turn the ignition switch and cruise control main switch to ON.

3) Turn the Subaru Select Monitor switch to ON.

4) On the Main Menu display screen, select the {2. Each System Check} and press [YES] key.

5) On the System Selection display screen, select the {Engine} and press [YES] key.

6) Press the [YES] key after the information of engine type displayed.

7) On the Engine Diagnosis display screen, select the {Current Data Display & Save} and press [YES] key.

8) Make sure that normal indication is displayed when controls are operated as indicated below:

- Depress/release the brake pedal. (Stop light switch and brake switch turn ON.)
- Turn ON the "SET/COAST" switch.
- Turn ON the "RESUME/ACCEL" switch.
- Turn ON the "CANCEL" switch. (The "SET/COAST" and "RESUME/ACCEL" switch are turned ON at same time.)
- Depress/release the clutch pedal.
- Set the shift lever to except for neutral position.

NOTE:

• For detailed operation procedure, refer to the SUBARU SELECT MONITOR OPERATION MANUAL.

• For details concerning DTCs, refer to the List of DTC. <Ref. to CC(STi)-15, List of DTC.>