

# HORN SYSTEM

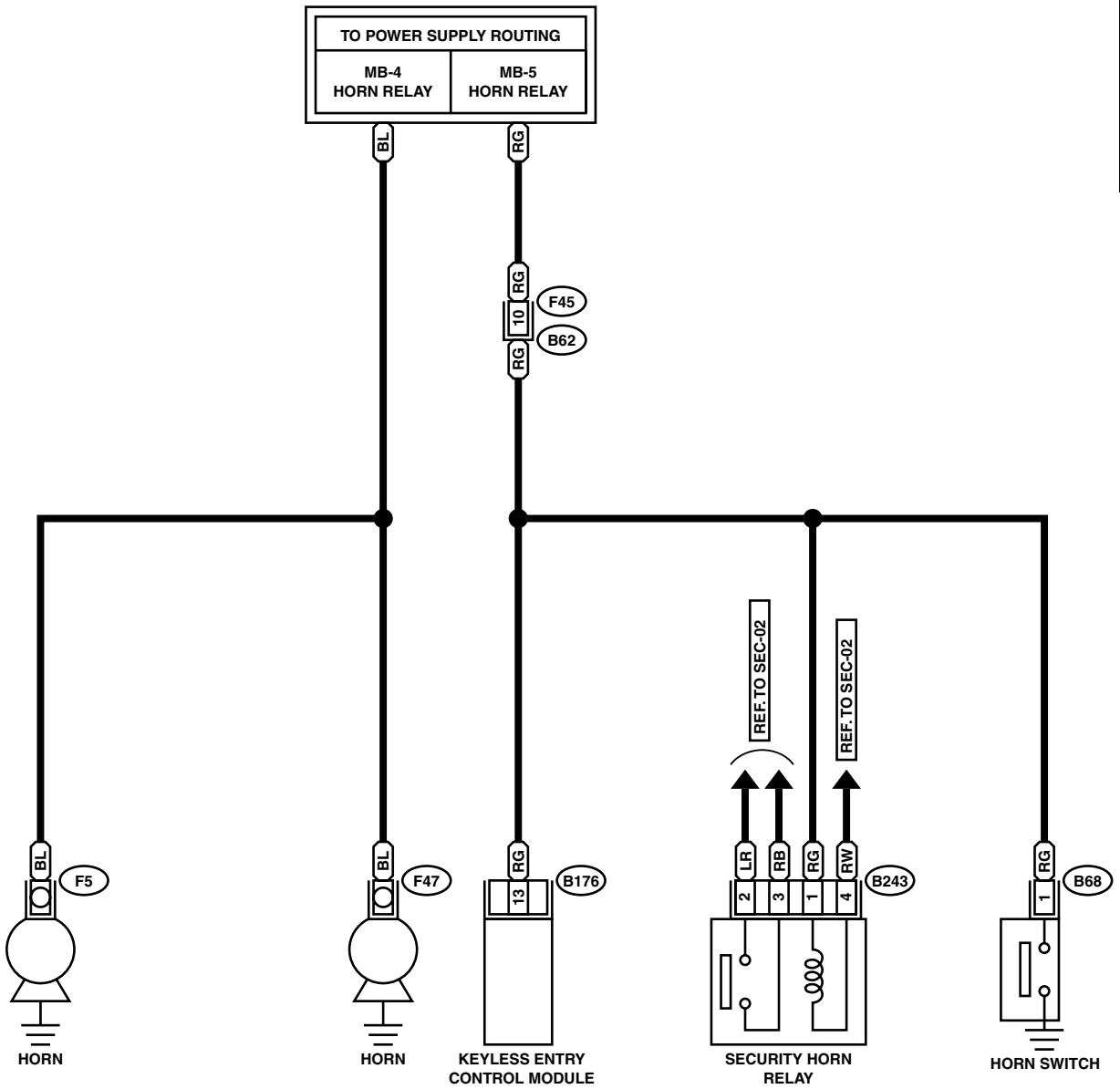
WIRING SYSTEM

## 21.Horn System

### A: SCHEMATIC

HORN-01

HORN-01



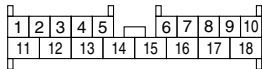
(B68) (BLACK)



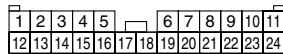
(B243)



(B176)



(F45)



WI-02487