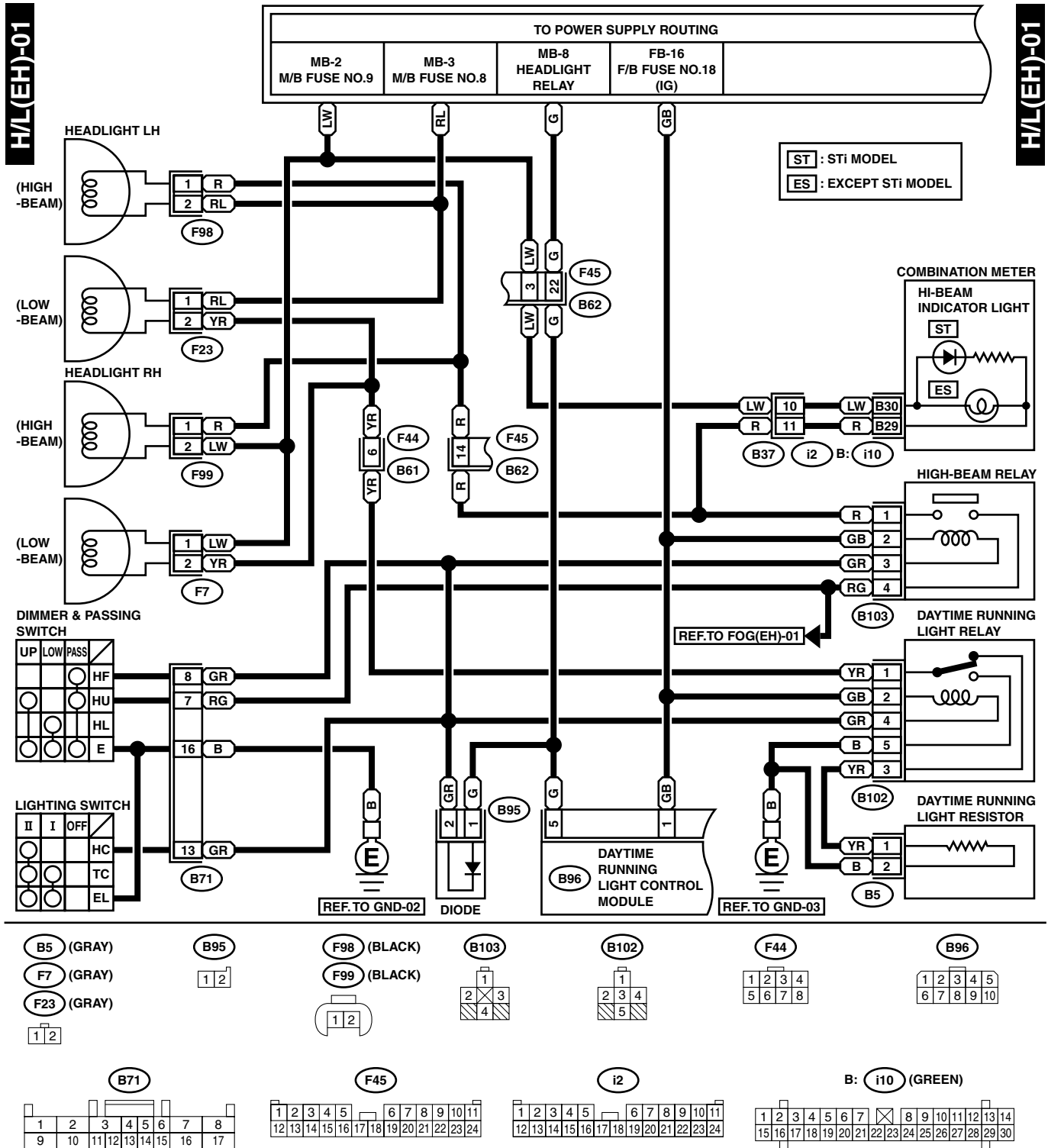


26. Headlight System

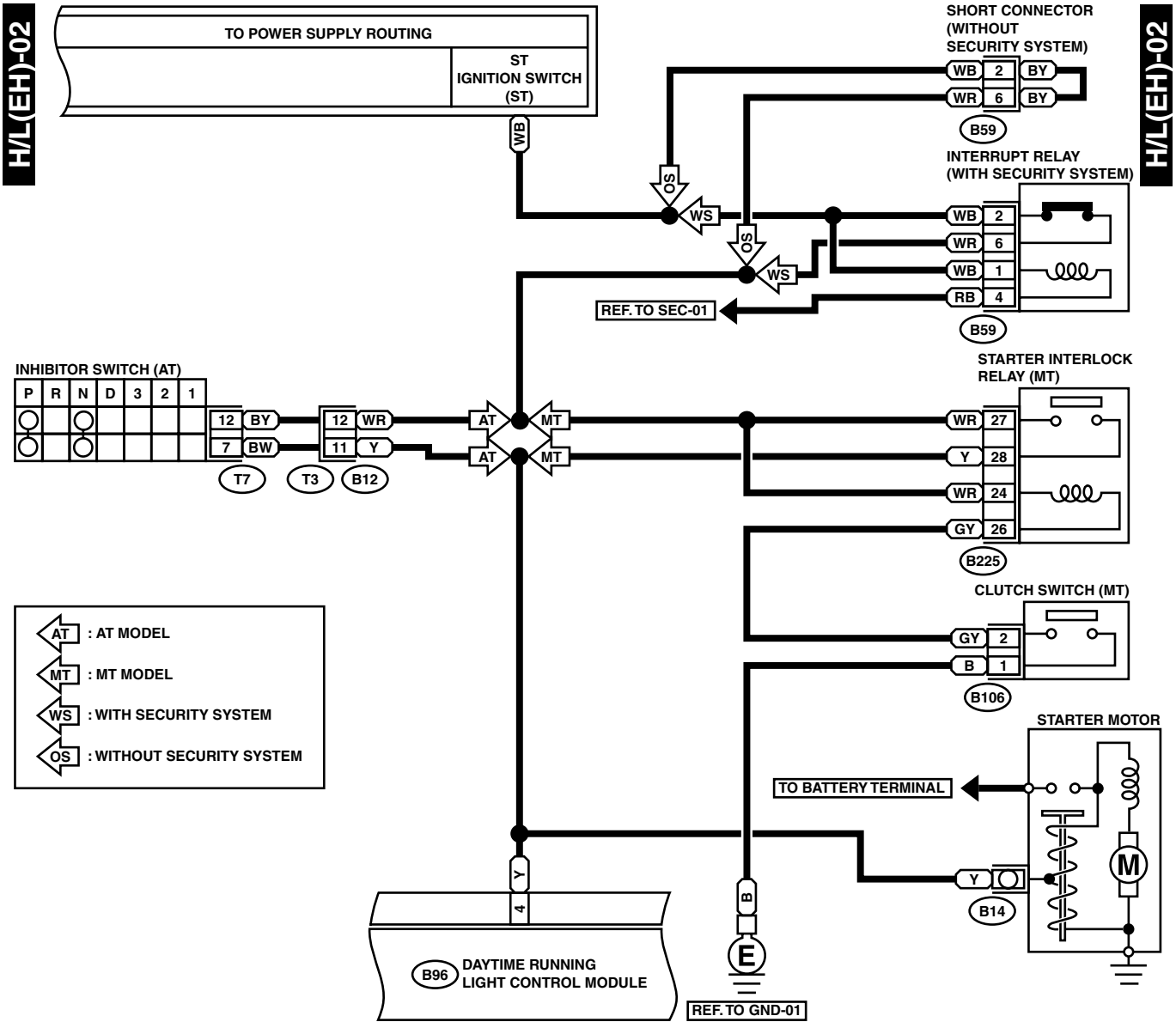
A: SCHEMATIC

1. MODEL WITHOUT HID

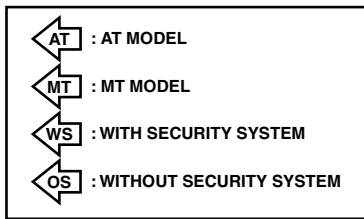
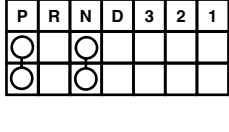


HEADLIGHT SYSTEM

WIRING SYSTEM



INHIBITOR SWITCH (AT)



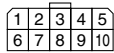
B106



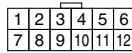
B59



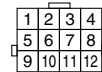
B96



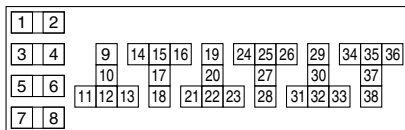
T7



B12



B225 (BLACK)



RELAY BLOCK

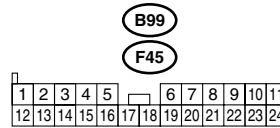
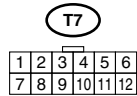
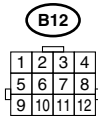
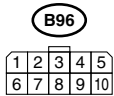
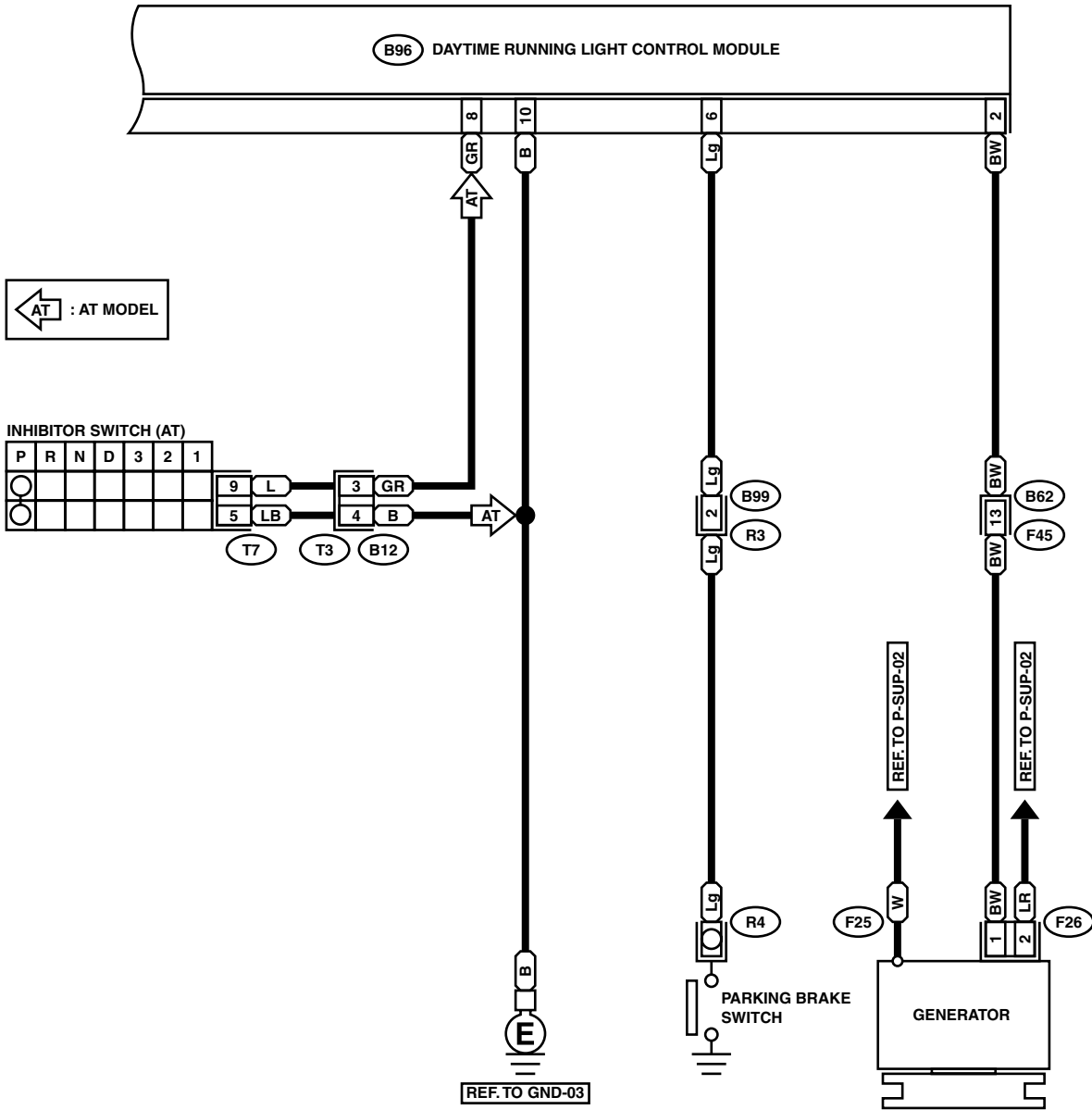
WI-02496

HEADLIGHT SYSTEM

WIRING SYSTEM

H/L(EH)-03

H/L(EH)-03

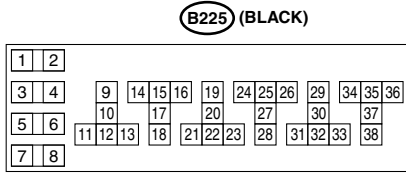
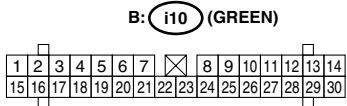
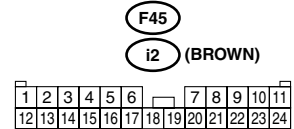
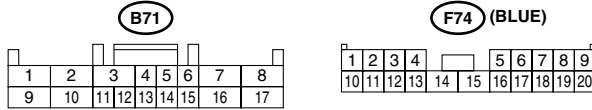
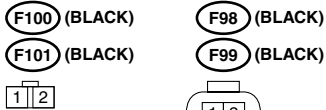
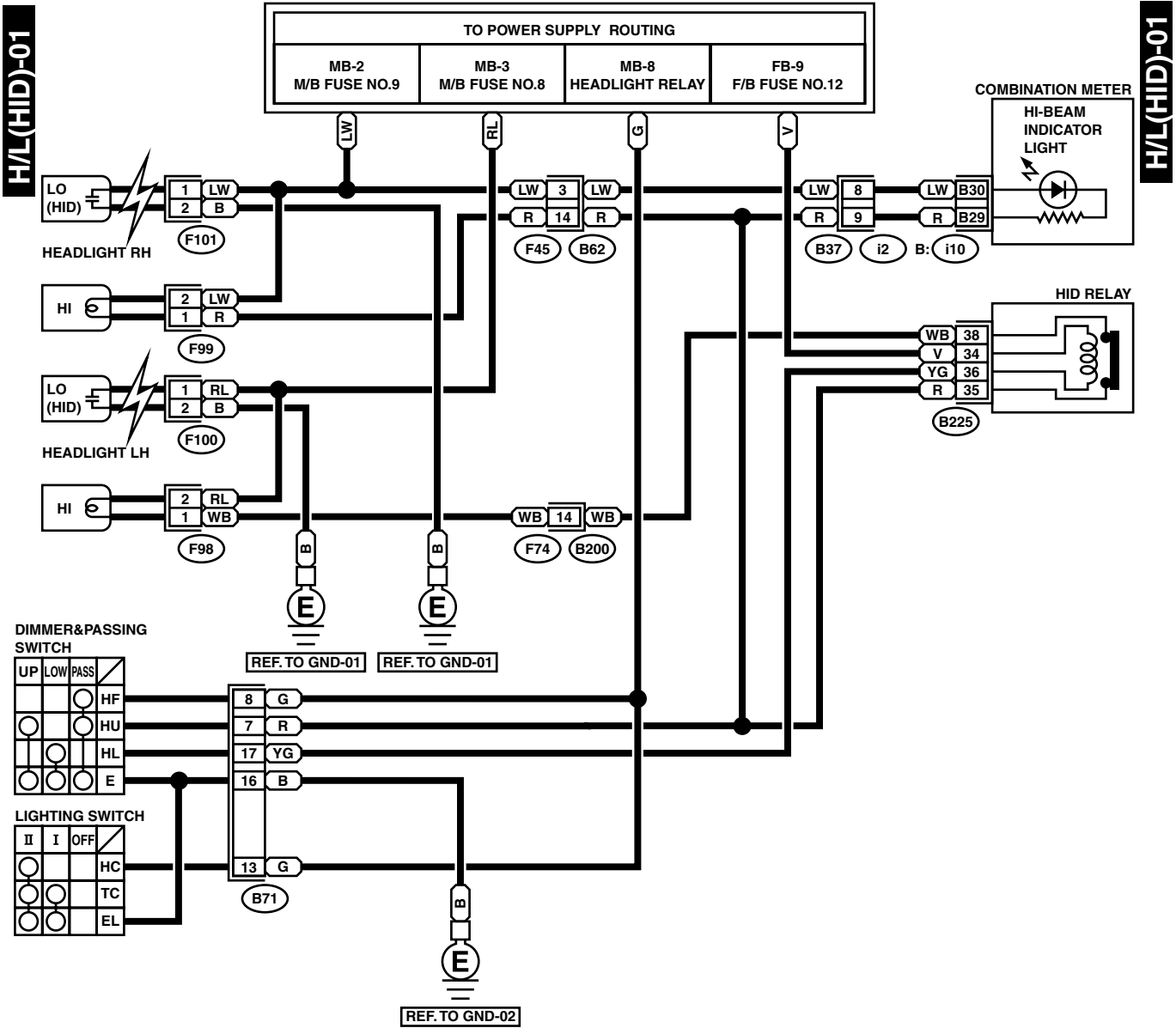


WI-02981

HEADLIGHT SYSTEM

WIRING SYSTEM

2. MODEL WITH HID



RELAY HOLDER

WI-02978