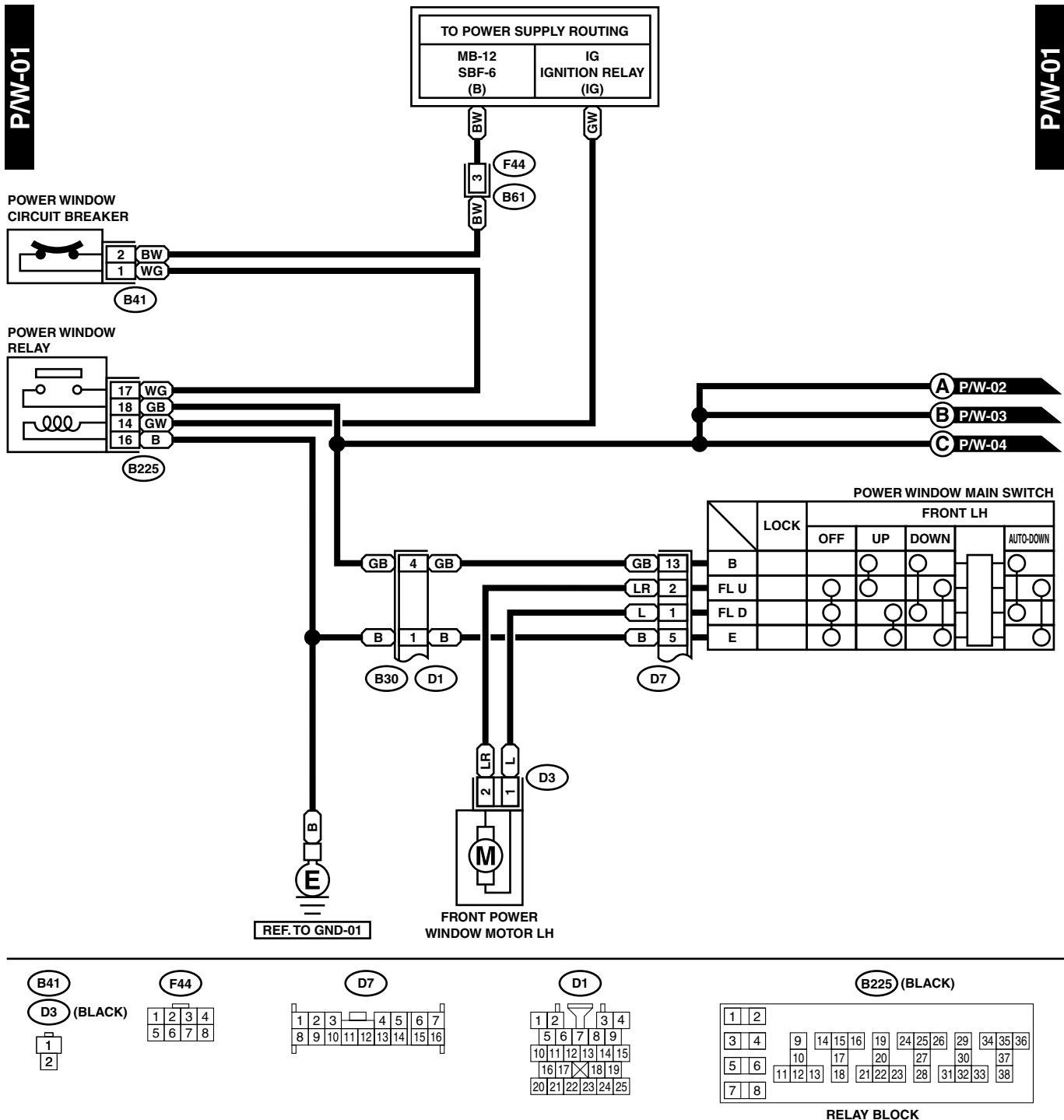


33. Power Window System

A: SCHEMATIC



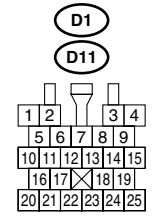
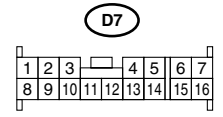
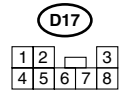
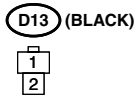
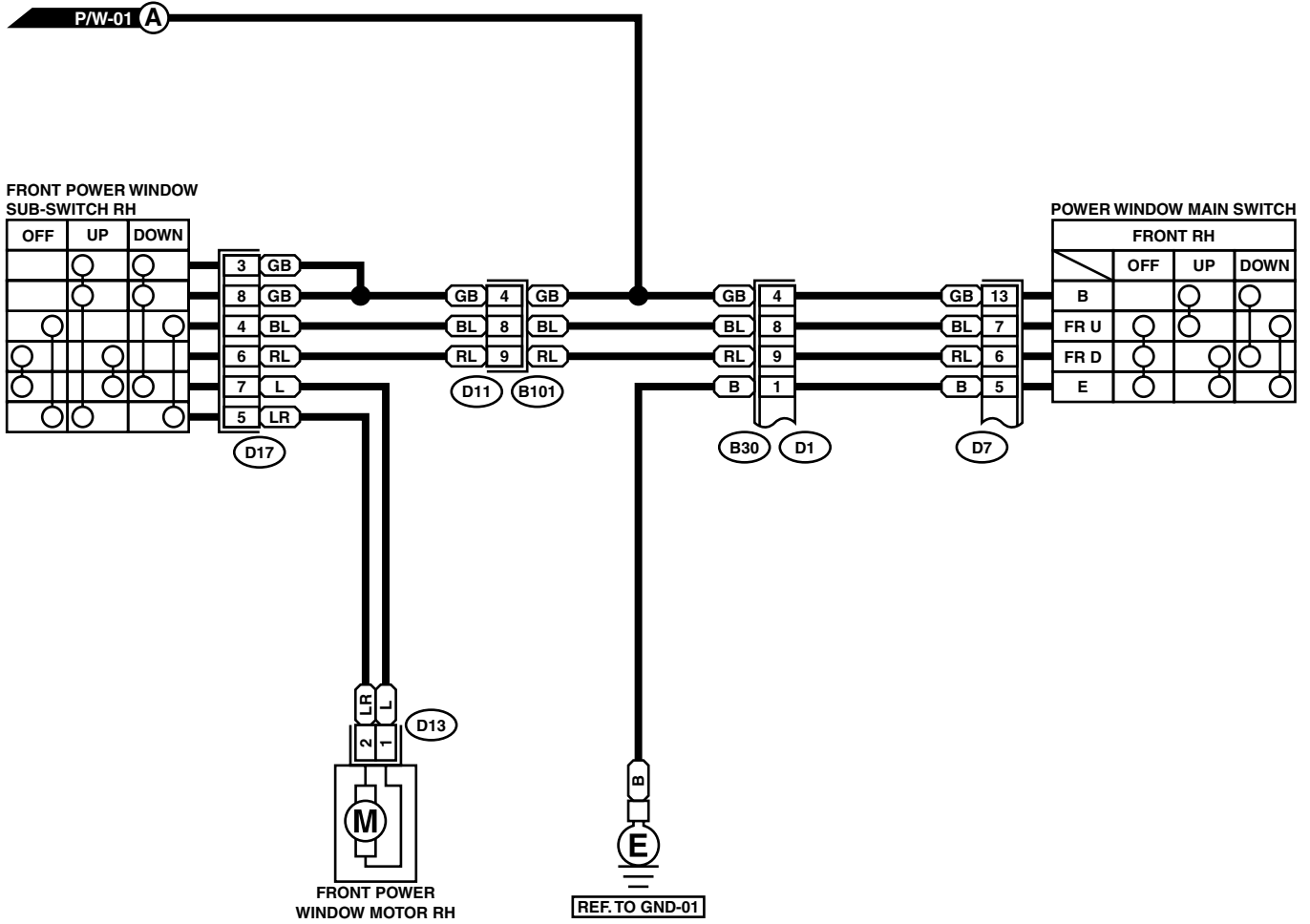
WI-02543

POWER WINDOW SYSTEM

WIRING SYSTEM

P/W-02

P/W-02



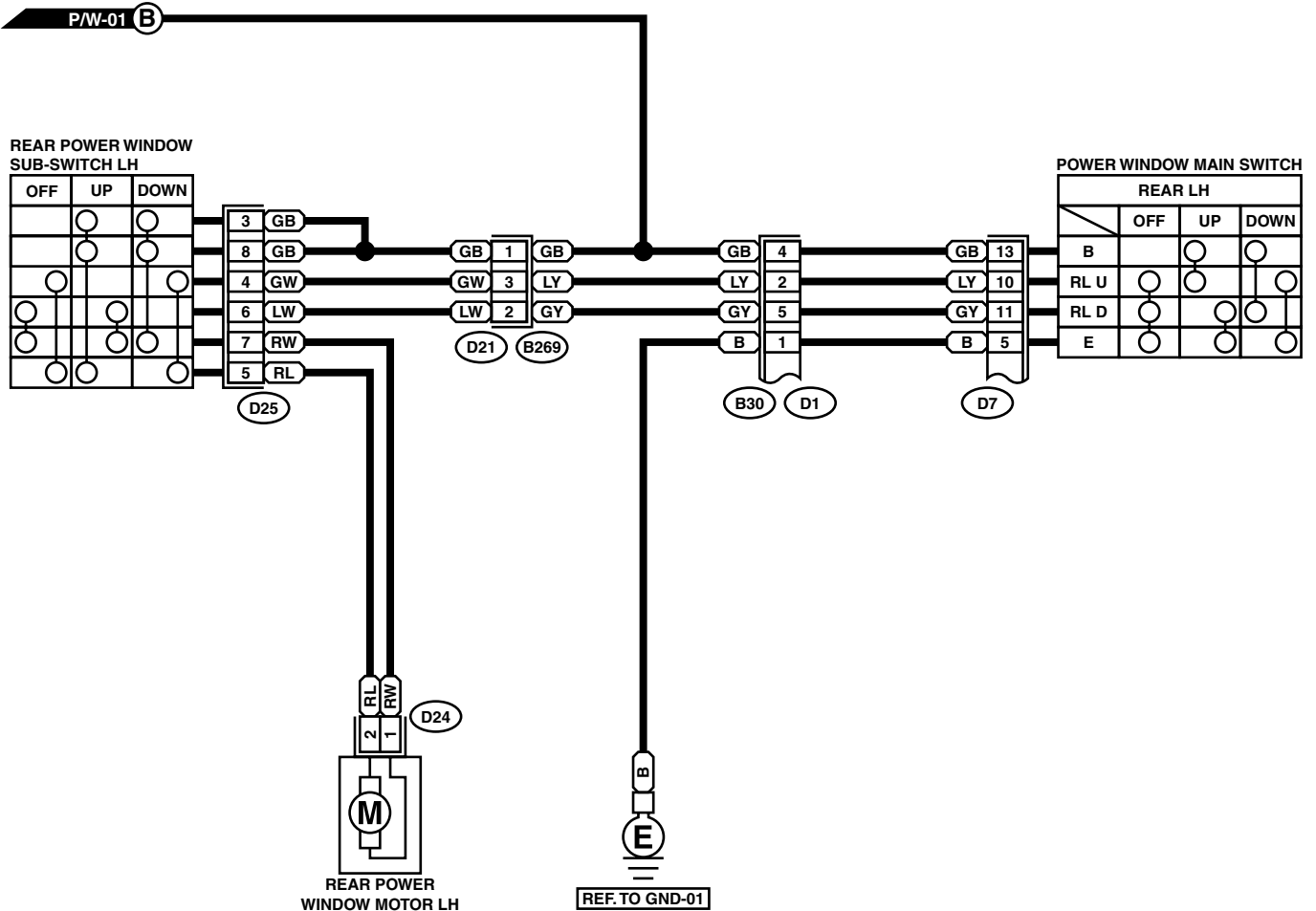
WI-02187

POWER WINDOW SYSTEM

WIRING SYSTEM

P/W-03

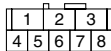
P/W-03



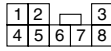
D24 (BLACK)



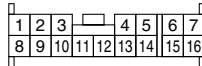
D21



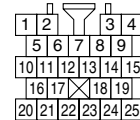
D25



D7



D1



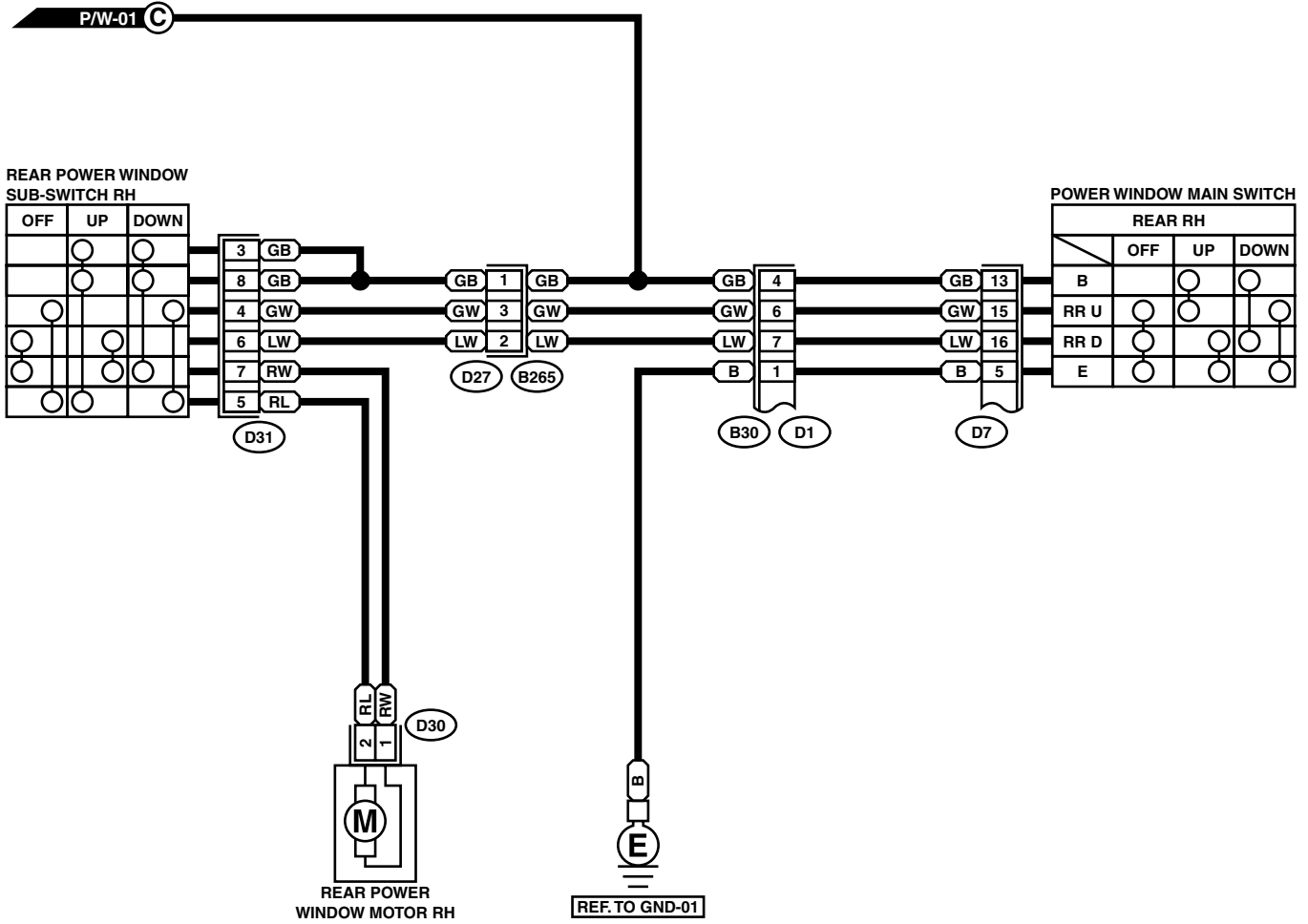
WI-02504

POWER WINDOW SYSTEM

WIRING SYSTEM

P/W-04

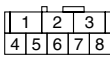
P/W-04



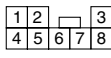
D30 (BLACK)



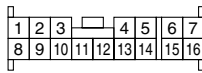
D27



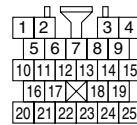
D31



D7



D1



WI-02505