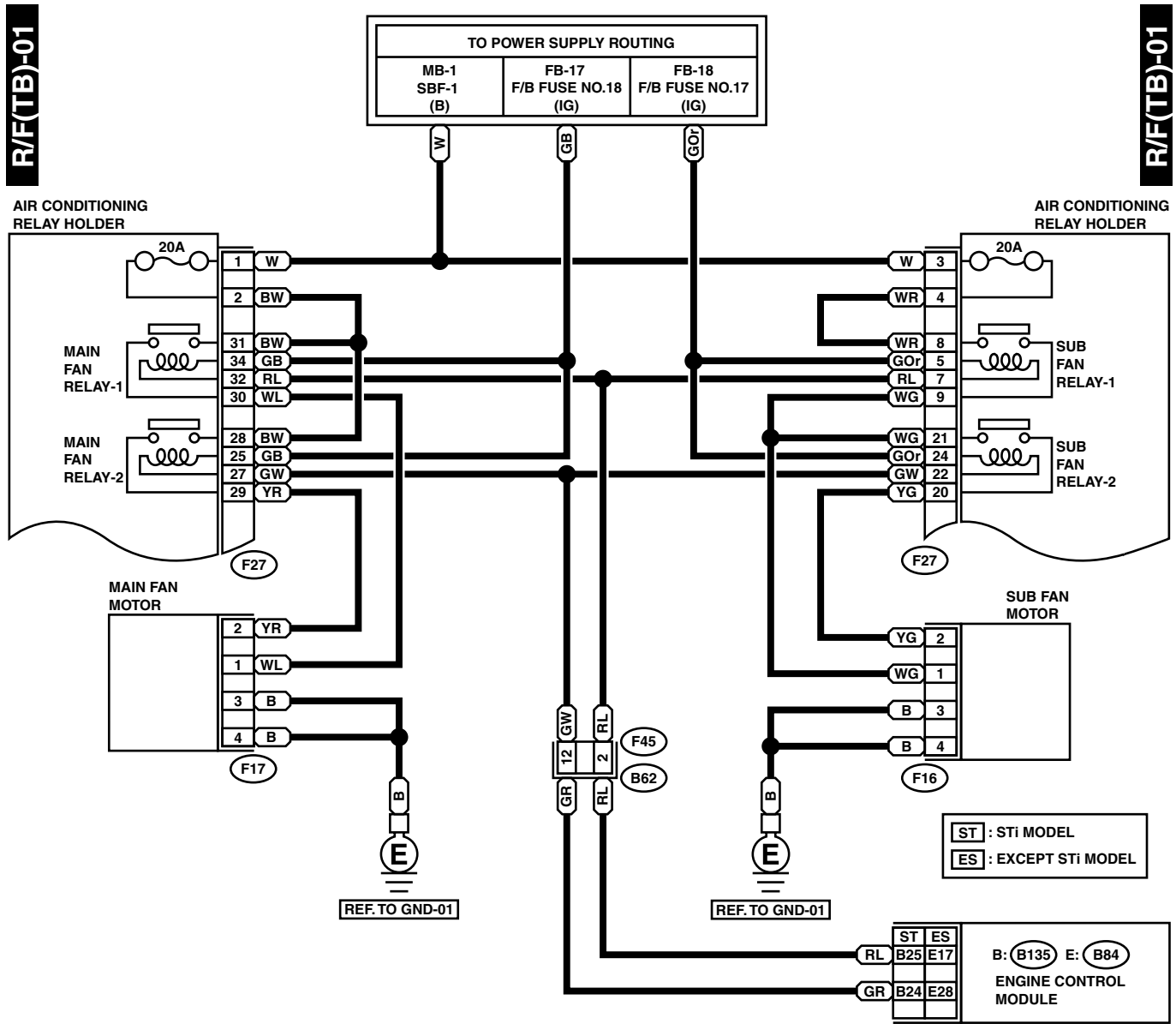


34.Radiator Fan System

A: SCHEMATIC

1. TURBO ENGINE MODEL

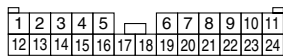


F16 (GRAY)

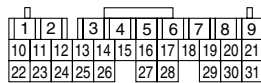
F17 (GRAY)



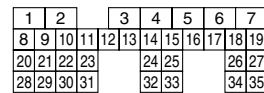
F45



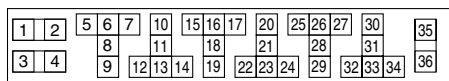
E: B84



B: B135



F27



RELAY HOLDER

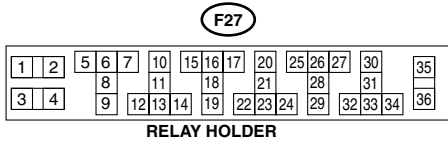
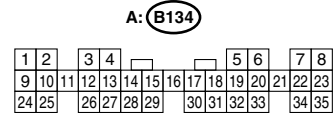
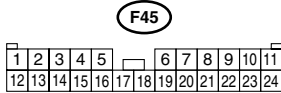
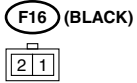
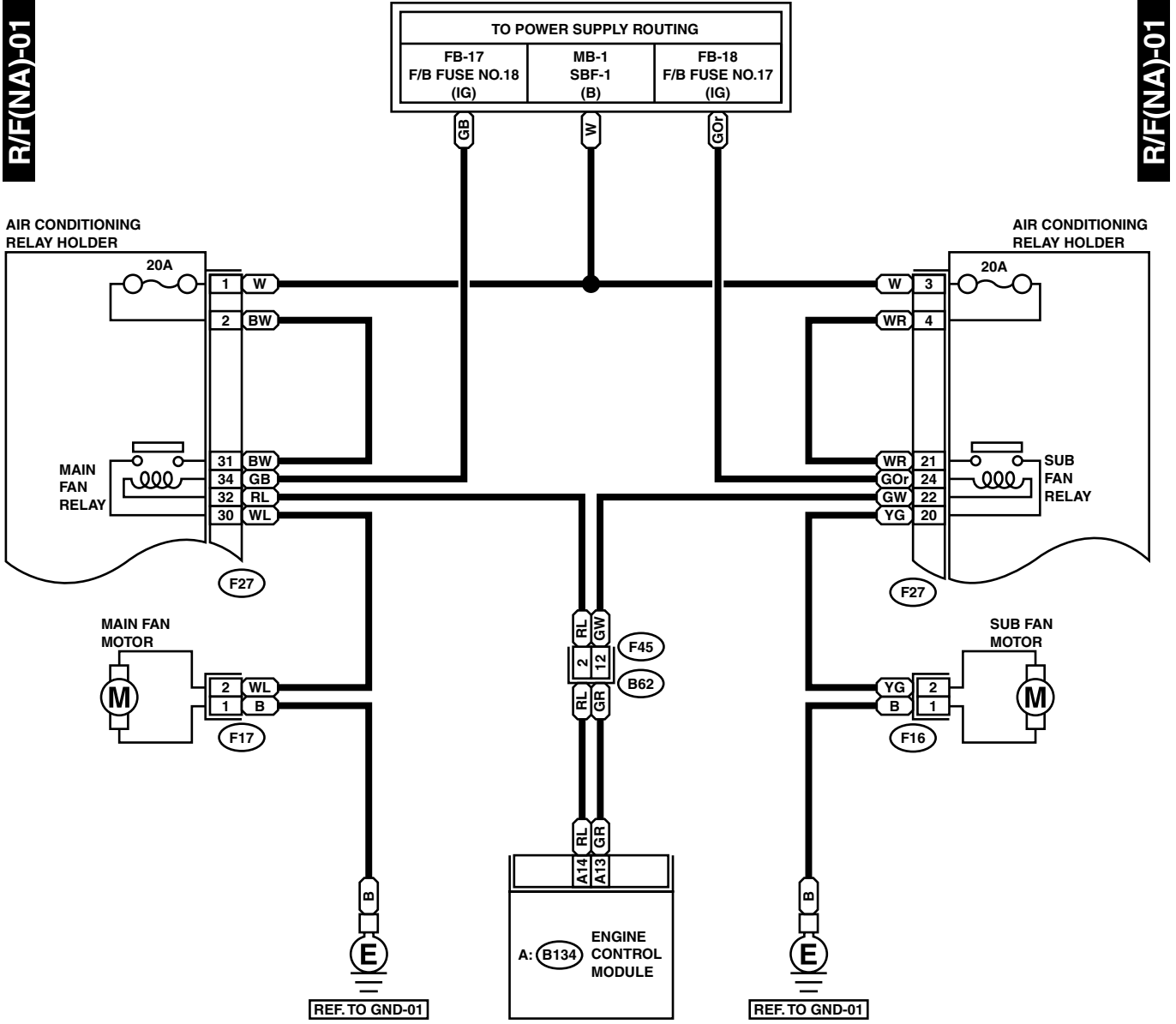
RADIATOR FAN SYSTEM

WIRING SYSTEM

2. NON-TURBO ENGINE MODEL

R/F(NA)-01

R/F(NA)-01



WI-02507