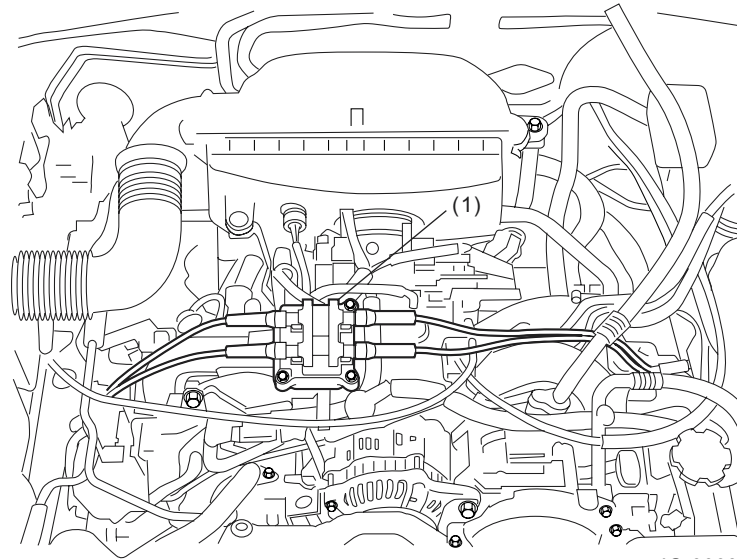


IGNITION COIL

IGNITION

1. Ignition Coil

Ignition coils are made integral with an igniter. The ignition system is of a dual-ignition-coil design, each coil causing two plugs to generate sparks simultaneously. In response to the signal from the ECM, the igniter supplies current to an ignition coil and the ignition coil supplies high-voltage current to a pair of spark plugs (#1 and #2 or #3 and #4) simultaneously.



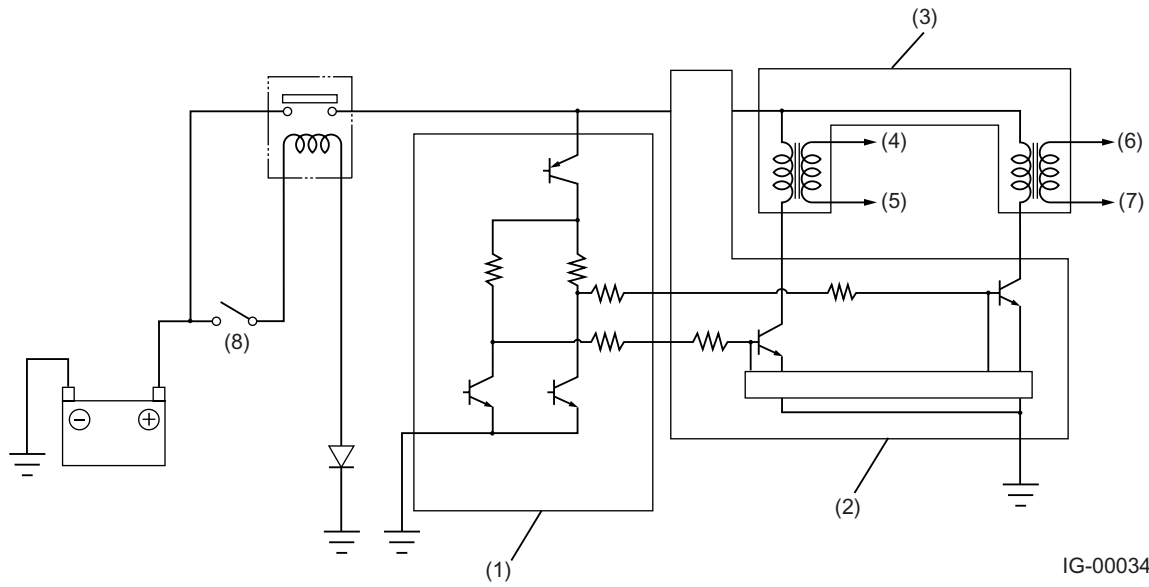
IG-00081

(1) Ignition coil and igniter assembly

IG(H4SO)-2

IGNITION COIL

IGNITION



IG-00034

- | | |
|-------------------|---------------------|
| (1) ECM | (5) Spark plug #2 |
| (2) Igniter | (6) Spark plug #3 |
| (3) Ignition coil | (7) Spark plug #4 |
| (4) Spark plug #1 | (8) Ignition switch |

IG(H4SO)-3