

## RELIEF VALVE CAP

### COOLING

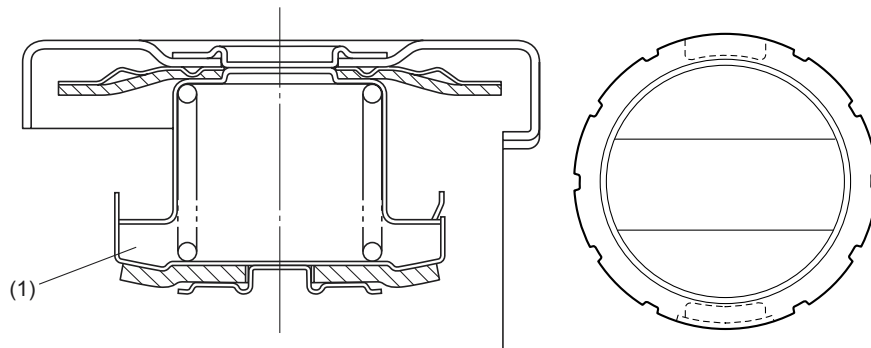
---

### 8. Relief Valve Cap

The relief valve cap at the radiator side has a pressure valve. When the radiator inner pressure becomes higher than specified, the pressure valve opens to send coolant to the reservoir tank. This function prevents damage to the radiator components.

**CAUTION:**

Due to the difference in construction, the relief valve cap cannot be used in place of the radiator cap at the coolant filler tank side. If the relief valve cap is fit on the coolant filler tank, overheating may occur.



CO-00246

(1) Pressure valve

CO(H4DOTC)-12