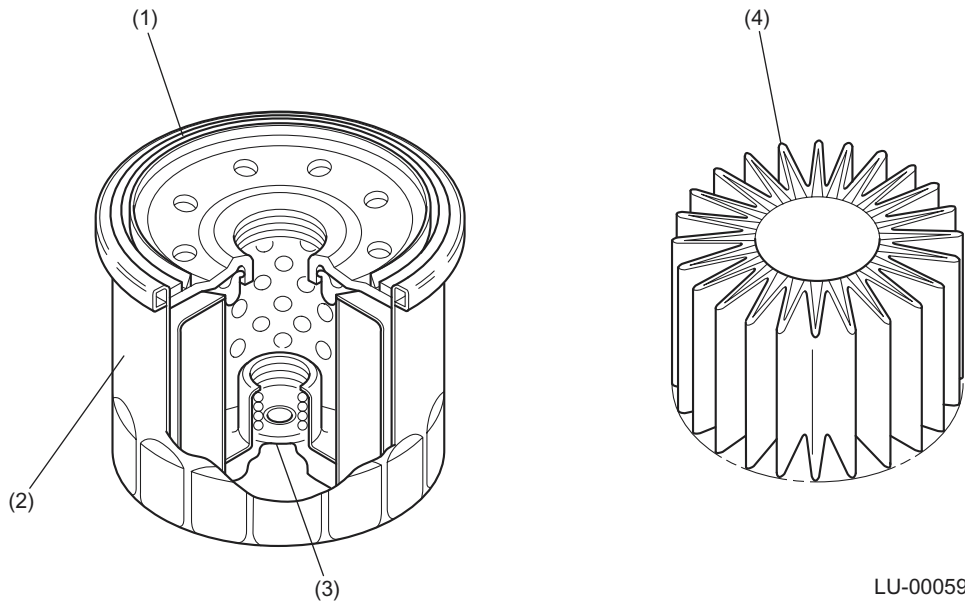


OIL FILTER

LUBRICATION

4. Oil Filter

The oil filter is a full-flow filtering, cartridge type that utilizes a paper element. It also has a built-in bypass valve. The filter element has a special pleat design to increase the effective filtering area.



LU-00059

- (1) Oil seal
- (2) Filter body
- (3) Bypass valve
- (4) Pleated element

LU(H4DOTC)-6